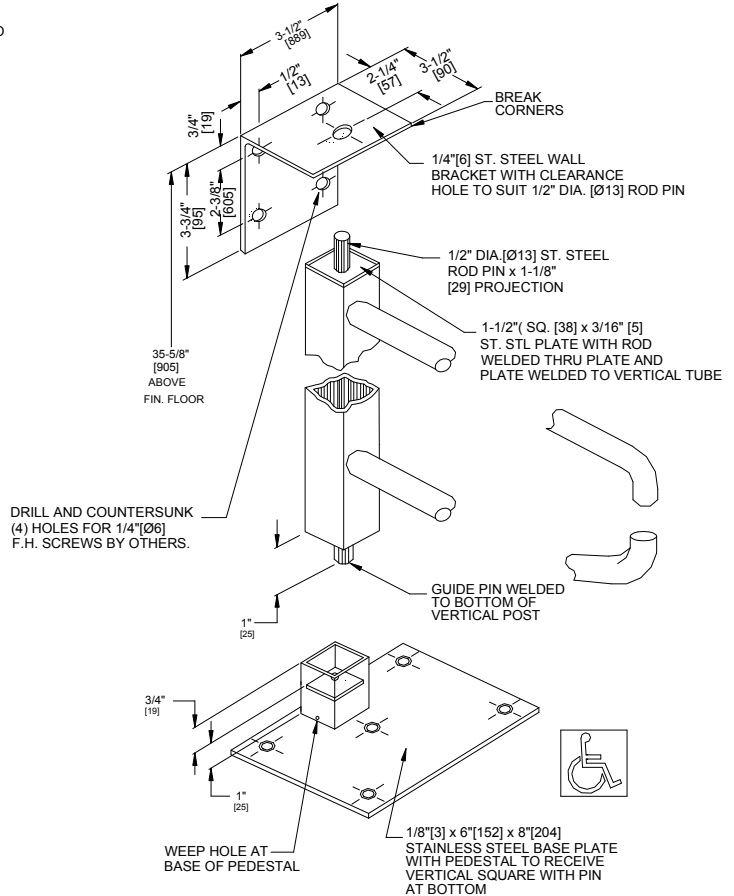
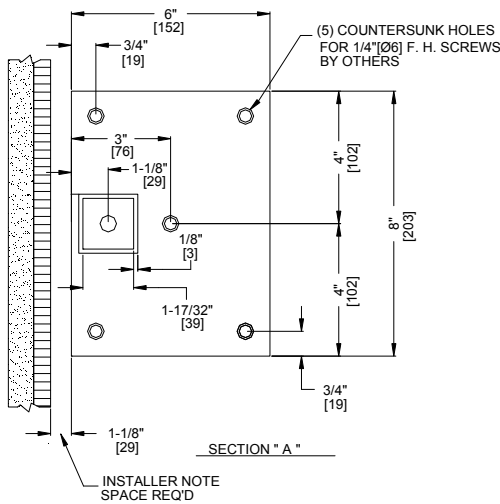
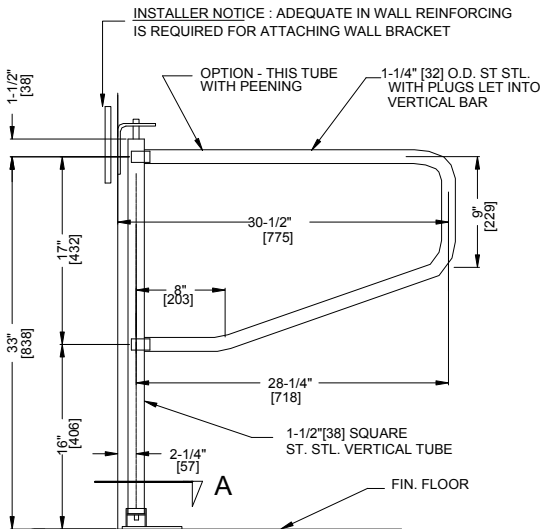




**AMERICAN SPECIALTIES, INC.**  
441 Saw Mill River Road, NY 10701  
(914) 476.9000 • (914) 476.0688  
www.americanspecialties.com

<b>MODEL №:</b>	<b>3454</b>
<b>ISSUED:</b>	<b>01/87</b>
<b>REVISED:</b>	<b>20 July 2012</b>

## SWING-AWAY GRAB BAR (pg 1 of 2)



NOTE:  
ALL DIMS  
INCH [MM]

### SPECIFICATION

Swing-Away Grab Bar with Floor Plate shall be type 304 stainless steel alloy 18-8. Tubing shall be 1-1/4" diameter (Ø32) x 18 gauge. Vertical swing post shall be 1-1/2" (38) square x 12 gauge and shall have solid 1/2" diameter (Ø13) pivot pins. Floor plate shall be 1/8" (3) thick with five (5) holes provided to receive 1/4" (M6) FH screws and shall have self-draining 90° position-locking post-socket. Wall bracket top pivot shall be 1/4" (6) thick with four (4) holes provided to receive 1/4" (M6) FH screws. Grab bar weld joints to vertical swing post shall be internally reinforced with weld plugs let into post. All exposed surfaces shall have satin finish. Structure shall be of welded construction. All exposed edges and corners shall be radiused and burr free.

Swing-Away Grab Bar with Floor Plate shall be Model N<sup>o</sup> 3454 as manufactured by American Specialties, Inc. 441 Saw Mill River Road Yonkers, New York 10701-4913



**AMERICAN SPECIALTIES, INC.**  
 441 Saw Mill River Road, NY 10701  
 (914) 476.9000 • (914) 476.0688  
 www.americanspecialties.com

<b>MODEL №:</b>	<b>3454</b>
ISSUED:	01/87
REVISED:	20 July 2012

## **SWING-AWAY GRAB BAR (pg 2 of 2)**

### **OPTIONS AVAILABLE**

For integral toilet tissue roll holder specify Option -25. For textured gripping surface (top bar only) add suffix -P to standard Model N<sup>o</sup> (e.g. 3454-P25).

### **INSTALLATION**

This unit is surface mounted. Installer or contractor must provide concealed anchor plate or blocking for wall mounting top bracket as specified in construction documents or as required by local building codes prior to wall finishing. Note that concealed mounting plates or anchors and hardware are not supplied and must be specified separately. For optional In-Wall anchor specify anchor Model N<sup>o</sup> 3942.

1. Proper and adequate reinforcement must be built into wall for top wall bracket. Reinforcement must be designed to suit fasteners used.
2. Base plate sets 1-1/8" (29) away from finished wall. Check clearance if radius cove base tile is used.
3. Place top wall bracket over pivot pin on square vertical tube.
4. Place sub-assembly on base plate with bottom pivot-pin in socket, making sure vertical tube does not sit into post socket.
5. Place level on side of vertical tube and set unit plumb.
6. Raise top plate of wall bracket 1/8" (3) from top surface of vertical tube for clearance. Top of plate should be 35-5/8" (905) AFF and pin should still be engaged.
7. Mark holes for top bracket and base plate.
8. Drill four (4) holes for top bracket in wall and five (5) holes in floor sized for fastener system selected.
9. Install entire assembly on wall and floor together.

### **STRENGTH**

ASI grab bars are designed to meet and exceed 2010 ADAAG Accessibility Standards such that fabricated product shall be of adequate strength to support a load of 250 pounds (113.4 kg). Mounting to the wall is a critical part of the system to meet this requirement. To withstand the shear, tension or pull-out, and torsion loads generated by the maximum loading, the fastener system must be adequately sized.

### **OPERATION**

Swing-Away Grab Bar is manually pulled forward to a position perpendicular to wall for support and pushed against wall for storage during departure or arrival. Grab bar drops into position-locking post-socket at 90° index positions and must be manually lifted to swing bar to new position.