

# INSTALLATION INSTRUCTIONS

## B-29744 SEMI-RECESSED AUTOMATIC UNIVERSAL ROLL TOWEL DISPENSER

### INSTALLING MOUNTING SHELL

1. Provide framed rough wall opening 16" wide x 18-7/8" high (405 x 480mm). Minimum recessed depth required to finish face of wall is 4" (102mm). Allow clearance for construction features that may protrude into rough wall opening from opposite wall. Coordinate with mechanical engineer to avoid pipes, vents and conduits. If unit projects above top of wainscot, provide channel or other filler to eliminate gap between flange and finish face of wall. For plaster or dry wall construction, provide concealed backing to comply with local building codes
2. Mount the Shell in wall opening with shims between framing and the Shell at four points indicated by an S, then secure the Shell with four #8 x 1-1/4" (4.2 x 32mm) flat-head sheet-metal screws (provided) in the four countersunk holes on the sides of the Shell. (See Figure 1). Ensure that the screw heads do not protrude past the countersink.  
**DO NOT** put any screws in the bottom of the Shell as they will interfere with the Dispenser Cabinet when it is inserted into the Shell.

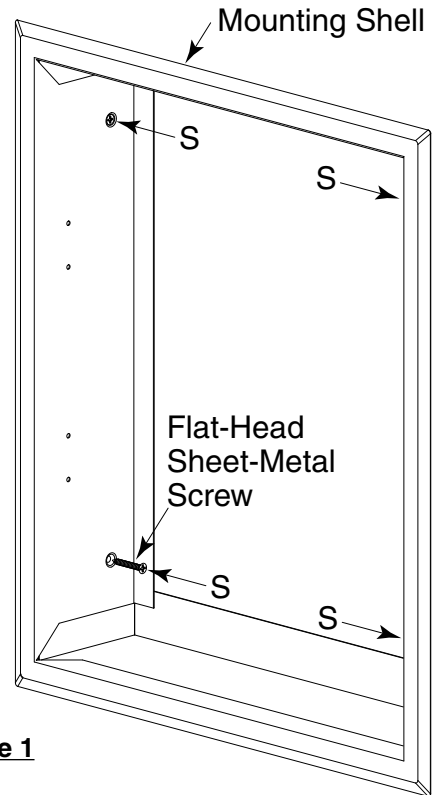


Figure 1

### INSTALLING DISPENSER CABINET

1. Unlock and open the door of the Dispenser Cabinet.
2. Carefully slide the Dispenser Cabinet into the Mounting Shell and support it from underneath with one hand. (See Figure 2)
3. Use the pilot holes in the Shell to drill pilot holes into the shims at the appropriate angle with the Dispenser Cabinet located in position.
4. Attach the Dispenser Cabinet to the Shell using the predrilled pilot holes in the Shell and four #8 x 1/2" (4.8 x 13mm) sheet-metal screws (provided). It is acceptable to angle the sheet-metal screws when installing them into the pilot holes.

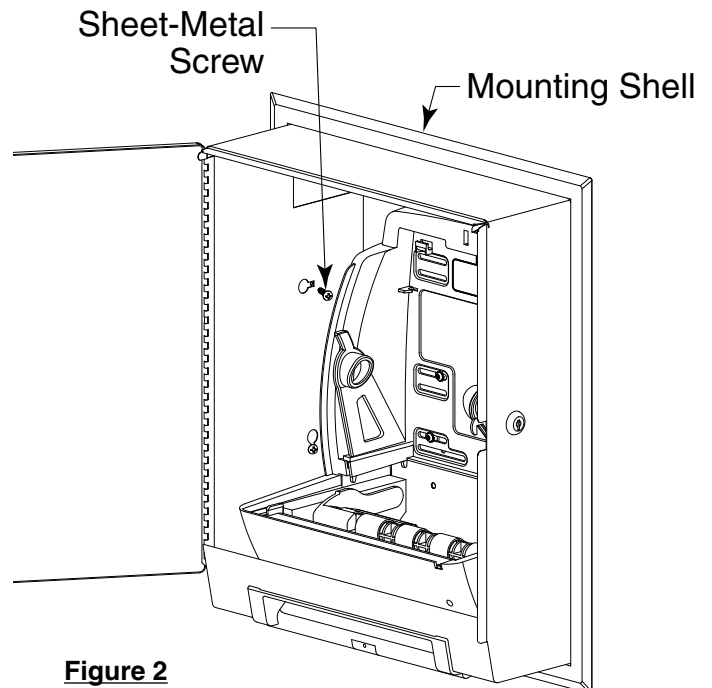


Figure 2

