



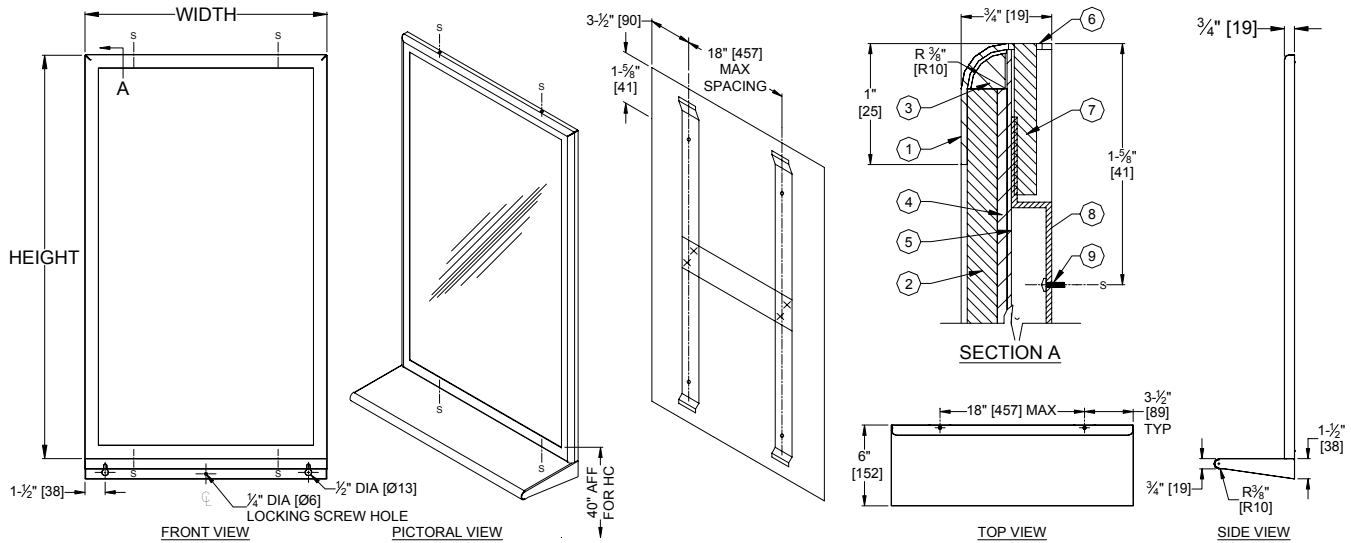
**AMERICAN SPECIALTIES, INC.**  
441 Saw Mill River Road, NY 10701  
(914) 476.9000 • (914) 476.0688  
www.americanspecialties.com

**MODEL №: 20655**

**ISSUED: 06/10**

**REVISED:**

**ROVAL™ INTER-LOK STAINLESS STEEL FRAMED MIRROR W/ SHELF**



**DESCRIPTION**

- |                                   |  |  |
|-----------------------------------|--|--|
| 1. 18 GAUGE STAINLESS STEEL FRAME | 4. NON-ABSORBENT FILLER                    | 7. TAMPERPROOF MOUNTING & LOCKING HEX SOCKET |
| 2. 3/4" (6) PLATE GLASS MIRROR    | 5. 20 GAUGE CORROSION PROTECTED STEEL BACK | HEADLESS SET-SCREW #10-32 X 1-1/4"(32)       |
| 3. SHOCK ABSORBING EDGE CUSHION   | 6. FLUSH MOUNTING NUTSERT                  | 8. HANGER BRACKET 18 GAUGE                   |
|                                   |  | 9. INSTALLATION SCREW-FURNISHED BY INSTALLER |

**SCHEDULE OF AVAILABILITY**

WIDTH	STRAP SPACING	# HANGER STRAPS
18" [457]	11" [279]	2
24" [610]	17" [432]	2
36" [914]	14-1/2" [368]	3

**SPECIFICATION**

Roval™ Collection Inter-Lok Stainless Steel Framed Mirror with Curved Edge Shelf shall have frame and shelf of 18 gauge type 304 stainless steel alloy 18-8. Frame full front shall be formed seamless with mitered corners welded and polished and shall have gently radiused edges to provide added strength and complimentary appearance for modern washroom aesthetics. Shelf shall be formed with seamless curved front edge and hemmed return with open bottom and shall be integral with mirror frame. All exposed surfaces shall be satin finish. Mirror glazing shall be \_\_\_\_ (insert glazing option) and shall be warranted for 15 years against silver spoilage. All edges of mirror shall be protected with friction and chafe absorbing fillers. Full size shock-absorbing resilient filler and full size one-piece 20 gauge corrosion protected steel shall protect back of mirror. An 18 gauge corrosion protected steel 'H' bracket shall be supplied with all required mounting hardware. Mirror shall be secured to vertical bracket with hex socket headless locking screws.

Roval™ Collection Inter-Lok Stainless Steel Framed Mirror with Curved Edge Shelf shall be Model № 20655-\_\_ (insert glazing option) of American Specialties, Inc., 441 Saw Mill River Road, Yonkers, New York 10701-4913

**MATERIALS**

- Frame:** 18 gauge type 304 stainless steel alloy 18-8, (.048" <1.2> thick). Unitized all welded construction. Exposed surfaces have satin finish. Edges and corners are burr free.
- Glass:** Standard glazing is № 1 quality, 1/4" (6.4) thick plate/float glass, silver coated and hermetically sealed with a uniform coating of electrolytic copper plating and warranted against silver spoilage for 15 years. Mirrors meet Federal Spec DD-M-411C, ASTM C-1036-06, ASTM C-1048-92, ASTM C-1503-01.
- Filler:** Layered corrugated Kraft paper sheet material, abrasion resistant and shock absorbing, 1/8" (3.2) total layer thickness.

**INSTALLATION**

Install bracket level and plumb as per diagram location using № 10 x 1" (M5 x 25) self-tapping pan head screws (by others). Hang mirror on bracket and tighten locking screws at top & bottom. For compliance with ADA Accessibility Guidelines bottom edge of reflecting surface should be no higher than 40" (1016) above finished floor.

**GLAZING OPTIONS**

Units are supplied with standard A glazing 1/4" (6.4) thick plate glass mirror. Other glazing option available is tempered glass mirror 20655-B. For a complete description see the **MIRROR GLAZING OPTIONS** chart.