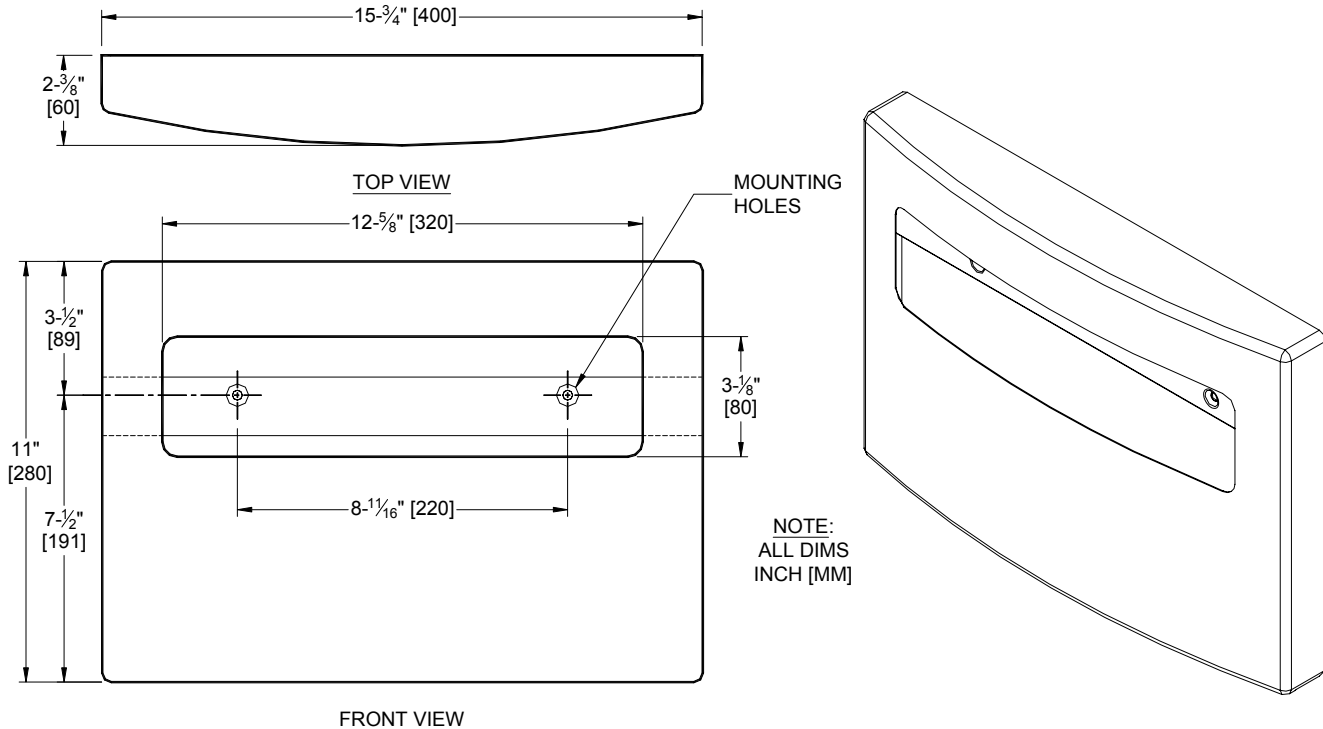




**AMERICAN SPECIALTIES, INC.**  
441 Saw Mill River Road, NY 10701 (914) 476-9000  
www.americanspecialties.com

MODEL №: 20477-SM  
ISSUED: 08/09  
REVISED:

**ROVAL™ SURFACE MOUNTED SEAT COVER DISPENSER**



**SPECIFICATION**

Royal™ Collection Surface Mounted Seat Cover Dispenser shall hold and dispense 250 standard single or half-fold paper toilet seat covers contained in supply box. Cabinet full panel shall be drawn seamless and shall have bowed front face and gently radiused edges to provide added strength and complimentary appearance for modern wash-room aesthetics. Unit shall be 22 gauge type 304 stainless steel alloy 18-8 and all exposed surfaces shall have satin finish protected during shipment with PVC film that is easily removable after installation. Cover dispensing slot shall have a fully deburred flat edge for snag-free dispensing and user safety. Structural assembly of cover and mounting bar components shall be of welded construction with no visible spot-welded seams or fasteners.

**Royal™ Collection Surface Mounted Toilet Seat Cover Dispenser shall be Model № 20477SM of American Specialties, Inc. 441 Saw Mill River Road Yonkers, New York 10701-4913**

**INSTALLATION**

Mount unit on wall or partition surface using two (2) № 10 x 1-1/4" (32) self-tapping flat head screws (by others). Mounting holes are clearly accessible through dispenser slot for installation and concealed behind dispenser box for vandal resistant locking after dispense product is loaded. For compliance with ADA Accessibility Guidelines install unit so that centerline of dispenser slot is 48" (1219) maximum above finished floor (AFF) if clear floor access is provided or 46" (1168) maximum AFF if side reach over an obstruction only is provided (i.e.: vanity).

**OPERATION**

Covers are self-feeding until supply is depleted. Unit is manually reloaded with a full box through concealed opening in bottom on schedule determined by maintenance requirements.