



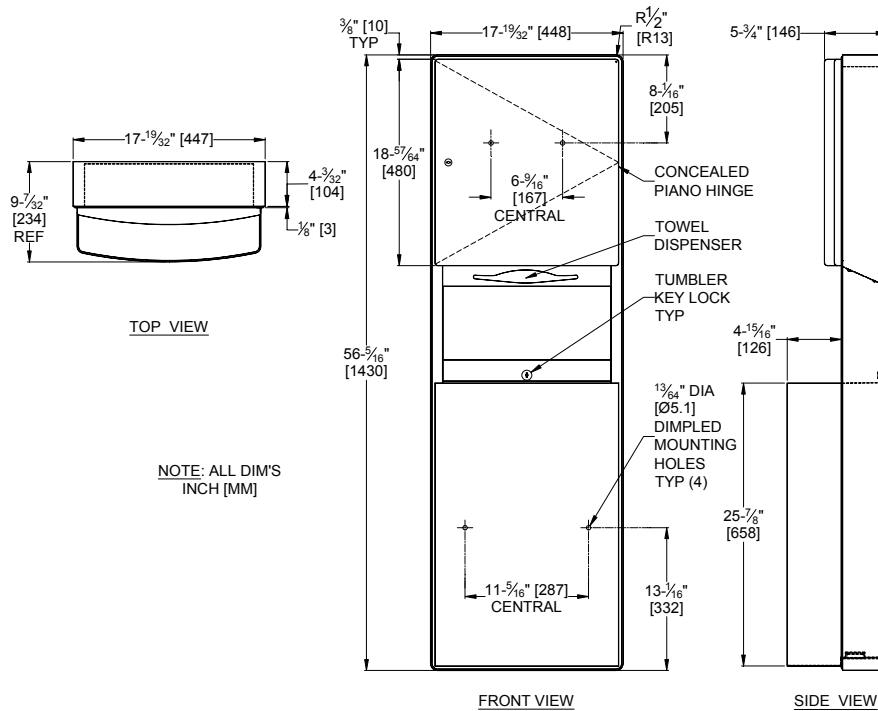
**AMERICAN SPECIALTIES, INC.**  
441 Saw Mill River Road, NY 10701  
(914) 476.9000 • (914) 476.0688  
www.americanspecialties.com

**MODEL №: 20469-9**

**ISSUED: 09/09**

**REVISED:**

**ROVAL™ SURFACE MOUNTED PAPER TOWEL DISPENSER AND WASTE RECEPTACLE**



**SPECIFICATION**

Roval™ Collection Surface Mounted Paper Towel Dispenser and Waste Receptacle unit shall hold and dispense 800 standard multi-fold or 600 standard C-fold paper towels and shall have a waste capacity of 14.8 gal (56 liters). Cabinet full door shall be drawn seamless and shall have bowed front face and gently radiused edges to provide added strength and complimentary appearance for modern washroom aesthetics. Door and waste receptacle shall be 18 gauge type 304 stainless steel alloy 18-8. Towel dispenser, frame, cabinet and SM collar shall be 22 gauge type 304 stainless steel alloy 18-8. All exposed surfaces shall be satin finish and be protected during shipment with PVC film easily removable after installation. Towel dispensing slot shall have a fully hemmed-in rolled edge for snag-free dispensing and user safety. Door shall be attached to cabinet at side with a full-length 1/8" diameter (Ø3.1) stainless steel multi-staked piano hinge and be held closed with a flush rimless tumbler lock keyed alike to other ASI washroom equipment. Internally concealed doorstop shall prevent over-swing when opened rapidly. Waste receptacle with internal bag-hanger hooks shall have a fully hemmed top edge for safety and a rear handle for service ease and is retained by a tumbler lock keyed alike to other ASI washroom equipment. Face trim shall be 1-1/16" (27) wide formed from one piece with no miters, welding or open seams and have 1/8" (3) radiused return to collar. Structural assembly of body and door components shall be of welded construction. Cabinet shall have no exposed fastening devices or spot-welded seams. Unit shall be supplied with collar for surface mounting.

**Roval™ Collection Surface Mounted Paper Towel Dispenser and Waste Receptacle shall be Model № 20469-9 of American Specialties, Inc., 441 Saw Mill River Road, Yonkers, New York 10701-4913**

**INSTALLATION**

Surface mount unit on wall using №10 self-tapping flat head screws (by others) through concealed mounting holes provided. For compliance with ADA Accessibility Guidelines install unit so that towel dispenser slot is 48" (1219) maximum above finished floor (AFF) if clear floor reach access is provided. Install unit for general utility with bottom edge 10¢¢ to 20-1/2" (254 to 521) AFF.

**OPERATION**

Towels are self-feeding upon user manual demand until supply is depleted. Unit may be reloaded with a partial load in place and will continue to feed properly. Towels are replenished and waste receptacle is emptied manually on a cycle determined by maintenance needs. Locked door and waste receptacle prevents unauthorized access or removal.