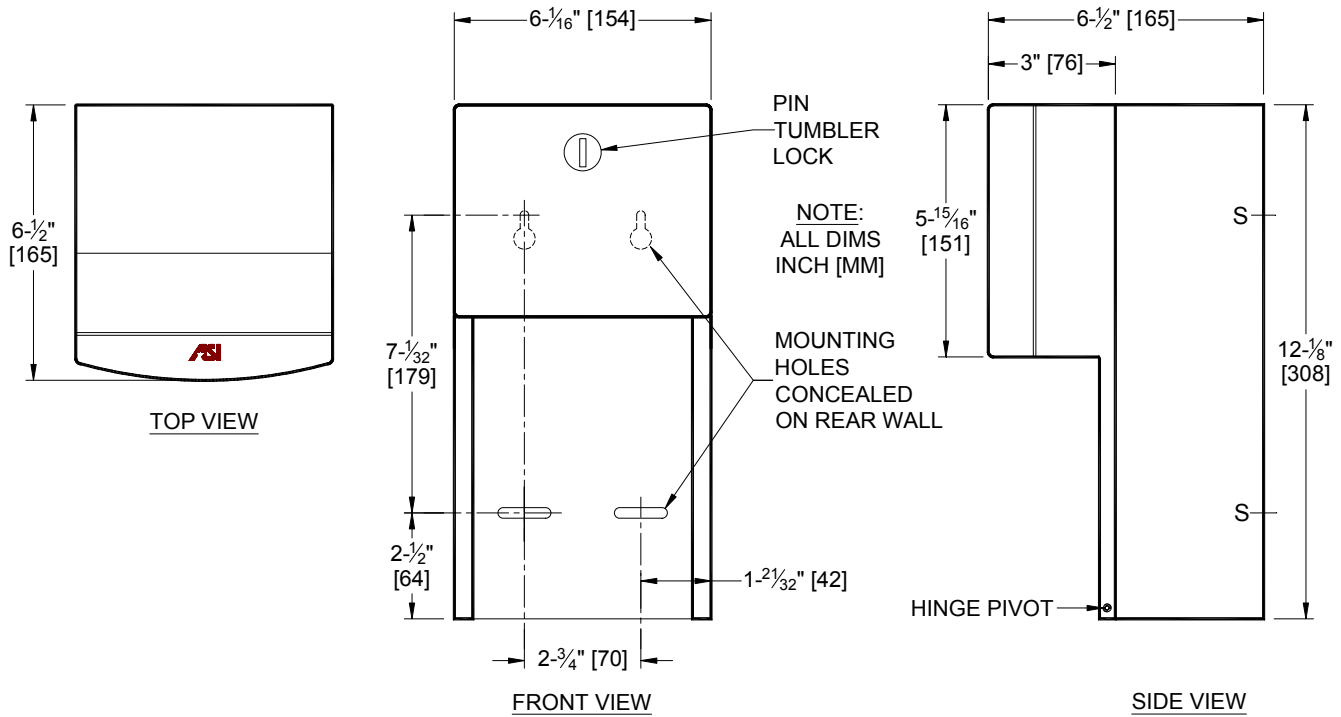




**AMERICAN SPECIALTIES, INC.**  
441 Saw Mill River Road, NY 10701 (914) 476-9000  
www.americanspecialties.com

MODEL №: 20030  
ISSUED: 08/09  
REVISED:

**ROVAL™ SURFACE MOUNTED TWIN HIDE-A-ROLL TOILET PAPER DISPENSER**



**SPECIFICATION**

Roval™ Collection Surface Mounted Twin Hide-A-Roll Toilet Paper Dispenser shall hold and dispense two (2) standard or two (2) 5-1/4" diameter (Ø133) 1800 sheet tissue rolls and shall have dispensing mechanism guide tracks fabricated of 20 gauge type 304 stainless steel alloy 18-8. Cabinet full door shall be drawn seamless and shall have bowed front face and gently radiused edges to provide added strength and complimentary appearance for modern washroom aesthetics. Cabinet body, door and doorframe shall be 22 gauge 304 stainless steel. All exposed surfaces shall be satin finish and be protected during shipment with PVC film easily removable after installation. Internal mechanism levers shall be molded high-impact resistant plastic for smooth operation. Structural assembly of body and door components shall be of welded construction. Door hinges shall be heavy-duty stainless steel 3/16" diameter (Ø4.8) rivets. Door shall be held closed with a recessed tumbler lock keyed alike to other ASI washroom equipment. Cabinet shall include theft and vandal resistant rollers that shall be of molded high-impact resistant plastic with integral plated steel endpins and two (2) rollers [p/n R-004] shall be supplied.

**Roval™ Collection Surface Mounted Twin Hide-a-Roll Toilet Paper Dispenser shall be Model № 20030 of American Specialties, Inc. 441 Saw Mill River Road Yonkers, New York 10701-4913**

**INSTALLATION**

Surface mount unit on wall or partition using four (4) 1/4" x 1" (M6 x 25) Philips pan head self-tapping screws (provided by others) through slots on rear wall into suitable wall preparation (by others). Top two mounting holes through back are key-hole slots for ease in hanging unit on pre-installed screws. Bottom two mounting holes are horizontal slots for ease of adjustment. For compliance with ADA Accessibility Guidelines install top of unit between 31" to 54" (794 to 1372) above finished floor and with vertical centerline of unit between 7" to 9" (178 to 228) from commode front.

**OPERATION**

Reloading instructions are printed on graphic label inside door. Bottom roll is depleted prior to top roll automatically dropping into lower position for use. Empty rollers cannot be removed without key unlocking door.