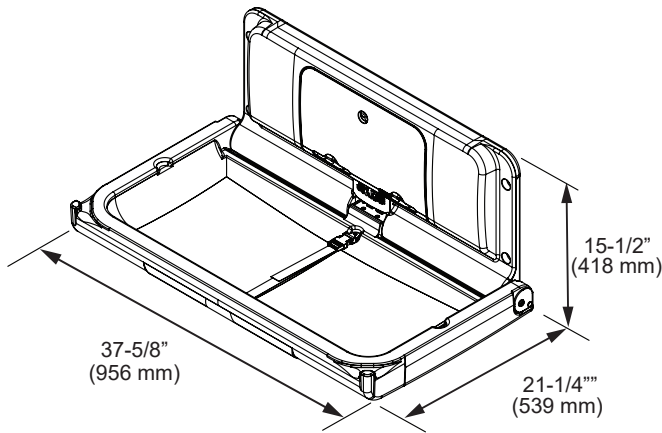




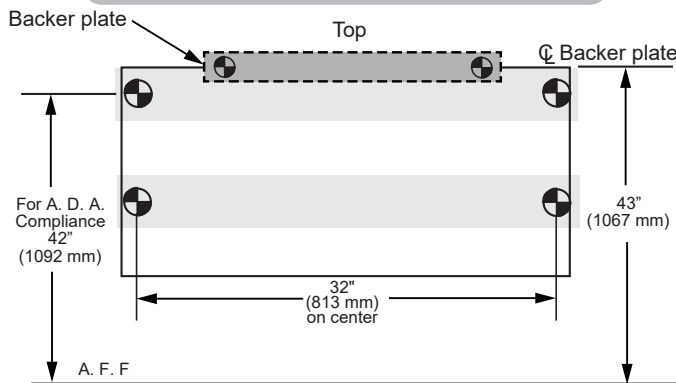
Foundations  
BABY CHANGERS MADE BY BABY EXPERTS.™

# Submittal Sheet

## Model 200-EH Horizontal Diaper Changing Station




### Recommended Blocking



### Short Specifications

Polyethylene Diaper Changing Stations:

1. Acceptable product: Foundations Worldwide, Inc.; Model 200-EH.
2. Characteristics:
  - a. Type: Molded FDA approved high-density polyethylene (HDPE) body.
  - b. Smooth nylon belt with Thermoplastic Polyurethane coating. Easy to sanitize and adjustable.
  - c. Warning labels printed in English, Spanish and French.
  - d. Meets ASTM F2285 requirements for weight bearing Commercial Changing Stations.
3. A.D.A. Compliance:
 

	306.3 Knee Clearance
	307.2 Maximum Protruding Objects
	308.2 Forward Reach
	308.3 Side Reach
	309.4 Operation
	902.3 Work Surface

Compliant when properly installed.
4. ANSI compliant safety labels.
5. CPSIA compliant to applicable sections.
6. Meets or exceeds all requirements outlined by BS EN 12221:2008+A1:2013

- Easy to clean, high-density polyethylene which is naturally bacteria resistant.
- Standard with molded-in, key lockable dual liner dispensers.
- Each liner dispenser holds approximately 50 of the 036-LCR or 036-NWL liners.
- Smooth nylon belt with Thermoplastic Polyurethane coating. Easy to sanitize and adjustable.
- Convenient bag hooks on both sides.
- Easy to read ANSI compliant labels (ANSI Z535.3 and ANSI Z535.4), utilizing universal safety symbols.
- Compact, slim profile meets A.D.A when properly installed. Only protrudes 4 inches or 102 mm from wall.
- Includes universal changing station door sign.
- Pneumatic gas shock mechanism to ensure smooth, safe open and close motions.
- Steel-to-steel support hinges.
- Includes easy to install, step-by-step instructions plus all mounting hardware.
- ASTM G21 Anti-Bacterial: No measurable bacterial growth.
- Meets or exceeds ASTM F2285 Safety Specifications for Commercial Changing Stations.
- Standard pack: 1 unit.
- Limited Warranty: This product is warranted against manufacturing defects for a period of 5 years.
- Includes EZ mount backer plate which allows for mounting anywhere regardless of stud locations.
- Can be installed on any building code approved load bearing wall.

### Installation Information

- Closed unit projects less than 4 inches (101 mm) from wall.
- Open changing surface projects 20-1/4 inches (539 mm) from wall during use.
- Overall closed dimensions are 37-5/8 inches (956 mm) wide and 15-1/2 inches (418 mm) tall.
- Hardware allows for mounting to current or new construction applications.

