



AMERICAN SPECIALTIES, INC.

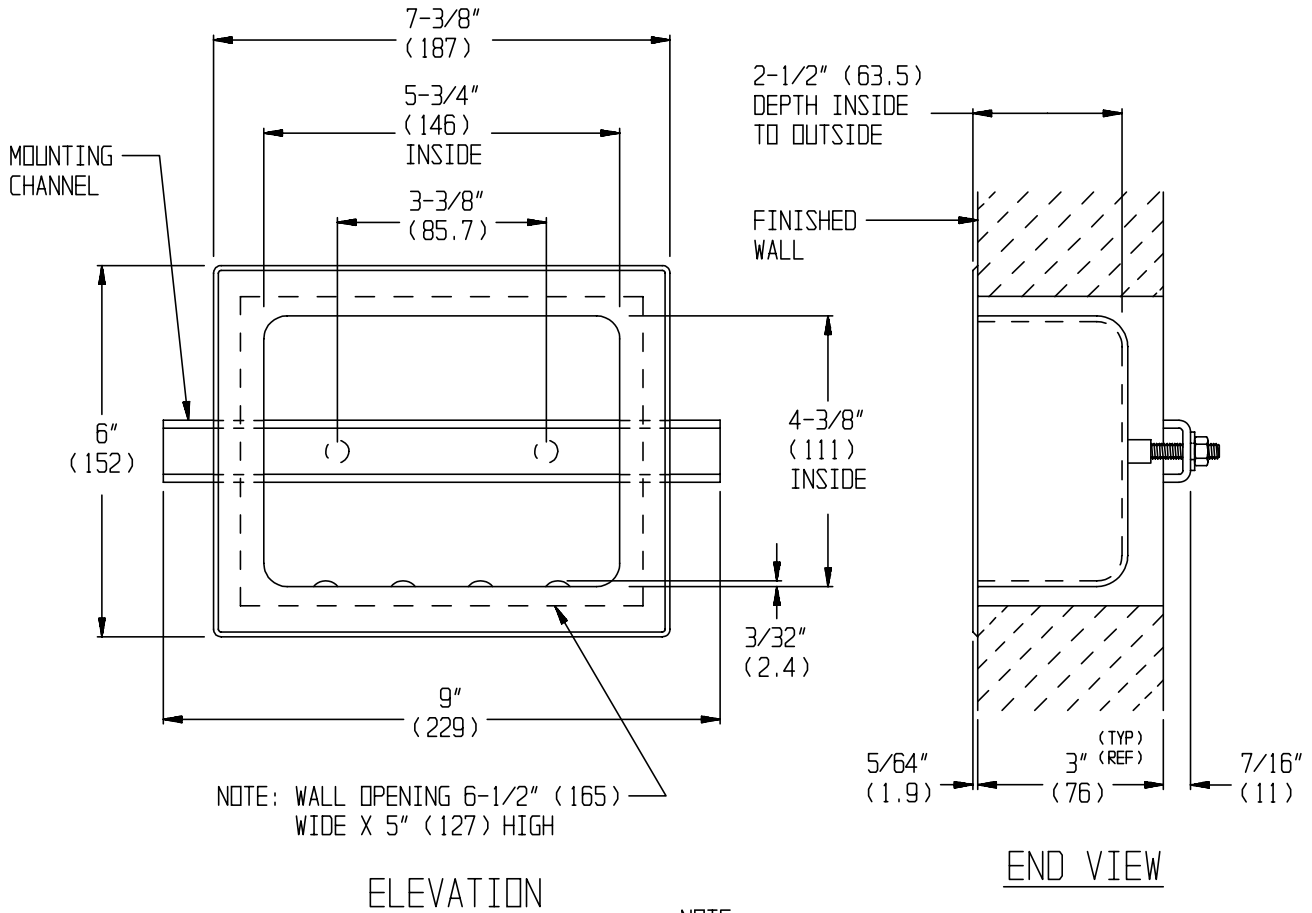
441 Saw Mill River Road, Yonkers, NY 10701 (914) 476-9000
www.americanspecialties.com

MODEL No: 140

ISSUED: 11-91

REVISED: 10-06

RECESSED SOAP DISH



SPECIFICATION

Recessed Soap Dish (Rear Mounted) shall be formed of 16 gauge 18-8 alloy stainless steel, type 304. Unit shall be one piece drawn construction with beveled trim and embossments for air circulation. All exposed surfaces shall have N° 4 satin finish. Back of soap dish shall have two (2) welded on 1/4-20-UNC-2B internally threaded posts that accept threaded rods with washers and nuts (supplied). Back plate shall be die-formed of 11 gauge galvanized steel and shall be reversible for shallow or deep wall installation.

Recessed Soap Dish (Rear Mounted) shall be Model N° 140 of American Specialties Inc., 441 Saw Mill River Road, Yonkers, New York 10701-4913

INSTALLATION

For compliance with ADA Accessibility Guidelines, install unit so that soap dish is 48" (1219) maximum above finished floor (AFF) in showers or 36" (914) maximum AFF in bathtubs or 46" (1168) maximum AFF if side reach access over an obstruction (e.g. vanity) is only provided or 44" (1118) maximum AFF if forward reach access over vanity basin is provided. Recess mount unit through wall opening and secure to finished wall with washers and nuts (supplied).

Rough wall opening (RWO) required is 6-1/2" W x 5" H x 2-3/4" D minimum (165 x 127 x 70)

OPERATION

Soap is stored in the interior of the dish on raised dimples that allow water to drain away and provide a gripping surface to retain soap.