

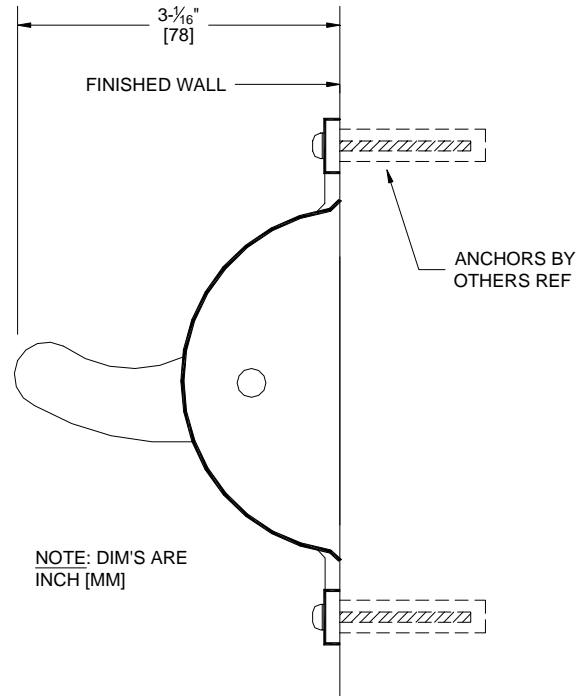
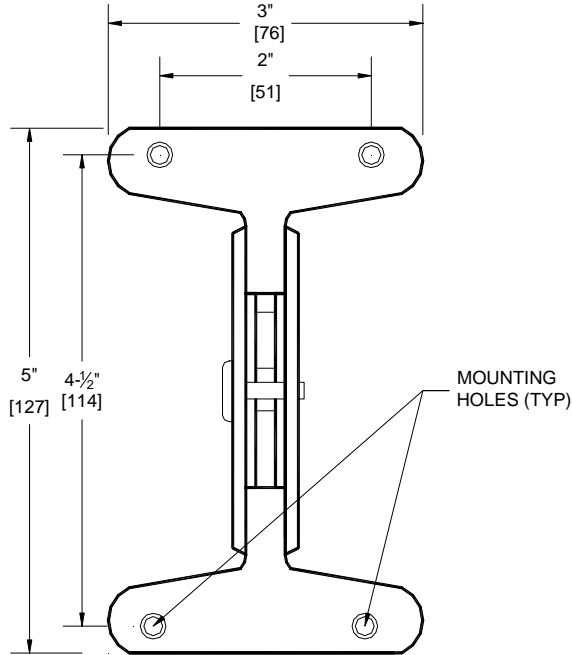


AMERICAN SPECIALTIES, INC.

441 Saw Mill River Road, Yonkers, NY 10701 (914) 476-9000
www.americanspecialties.com

MODEL No:	120
ISSUED:	01-87
REVISED:	07-08

SECURITY CLOTHES HOOK - FRONT MOUNTED



SPECIFICATION

Front Mounted Security Clothes Hook Shall be fabricated of type 304 stainless steel alloy 18-8. Hook shall be 7 gauge and wall bracket shall be 11 gauge. Wall plate shall have four (4) mounting holes for 1/4-20 button head pin-Torx® machine screws (supplied). Safety hook tension is adjustable by means of a captive round head stainless steel spanner screw. Hook shall smoothly drop down when load exceeds 35 lb (16 kg) limit when correctly set. Hook geometry and bracket shall prevent hook from being set in vertical-up position. All exposed surfaces shall have N^o4 satin finish.

Front Mounted Security Clothes Hook shall be Model N^o 120 of American Specialties Inc., 441 Saw Mill River Road, Yonkers, New York 10701-4913

INSTALLATION

Unit is front mounted to wall or partition using four (4) 1/4-20 x 2" (M6 x 50) button head pin-Torx® machine screws (supplied) into suitable anchors (by others) or alternate wall preparation (by others). Anchors to be supplied by installer to suit wall condition. For compliance with ADA Accessibility Guidelines, install unit so the top of the hook is 48" (1219) maximum above finished floor (MAX AFF).

OPERATION

Clothes hook will release down when overloaded beyond the 35 lb (16 kg) limit. Hook tension may be adjusted to maintain trip threshold over the life of the product.