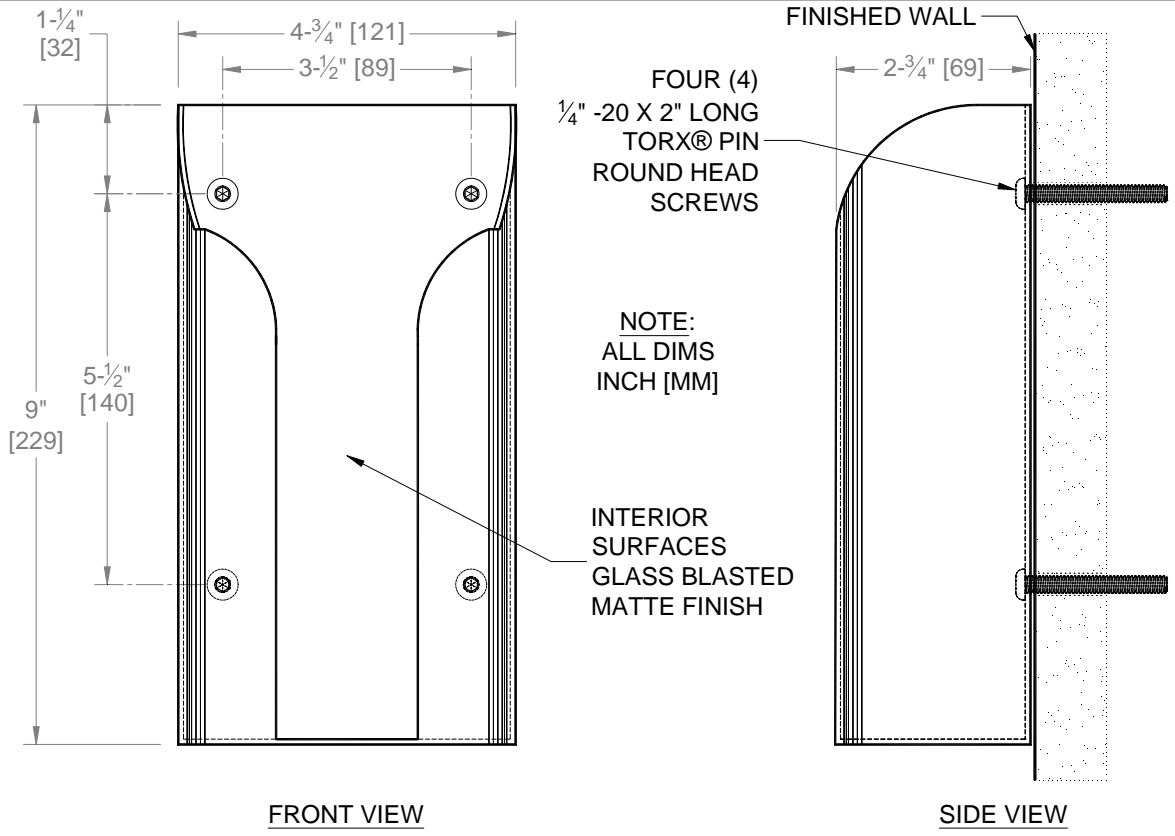




AMERICAN SPECIALTIES, INC.
441 Saw Mill River Road, NY 10701
(914) 476.9000 • (914) 476.0688
www.americanspecialties.com

MODEL №:	117
ISSUED:	02/87
REVISED:	11/11

SURFACE MOUNTED FOLDED TOILET PAPER HOLDER



SPECIFICATION

Surface Mounted Toilet Tissue Holder shall be 14 gauge type 304 stainless steel 18-8 alloy. Exterior surface shall be satin finish. Interior surfaces shall be glass blasted matte finish. All edges shall be welded, ground smooth and have rounded corners. Unit is provided with four (4) mounting holes that accommodate 1/4"-20 X 2" long Torx® round head machine screws (supplied) to be inserted into wall anchors (by others). Unit shall hold 320 sheets when fully loaded.

Surface Mounted Toilet Tissue Holder shall be Model № 117 as fabricated by American Specialties Inc., 441 Saw Mill River Road, Yonkers, New York 10701-4913

INSTALLATION

For compliance with ADA accessibility Guidelines, install unit so that bottom of holder is between 19" [483] minimum above finished floor (AFF) to 44" [1118] maximum AFF and centerline of dispenser is 7" -9" [178-229] from front of toilet. Recommended mounting height is 32" [813] minimum from top of holder AFF. Surface mount unit to finished wall and secure to wall anchors (by others) with four (4) 1/4"-20 X 2" long Torx® round head machine screws through mounting holes provided.

OPERATION

Tissues are manually dispensed through the front slot of the unit until supply is depleted. Tissues are replenished on a cycle determined by maintenance needs.