



# AMERICAN SPECIALTIES, INC.

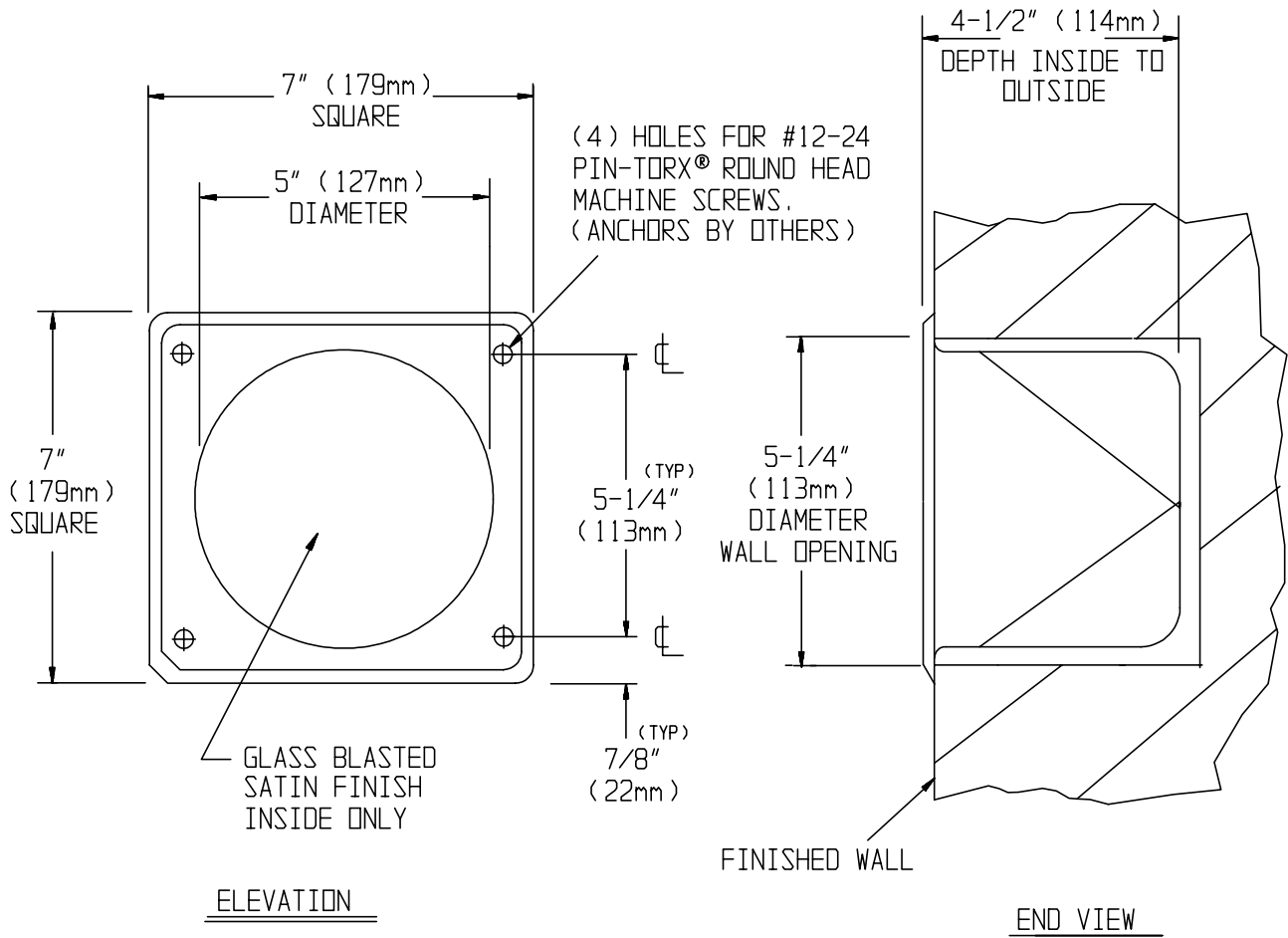
441 Saw Mill River Road, Yonkers, NY 10701 (914) 476-9000  
www.americanspecialties.com

MODEL No: 110-13

ISSUED: 1-87

REVISED: 6-06

## RECESSED TOILET PAPER HOLDER



### SPECIFICATION

Recessed Toilet Paper Holder with square bezel shall have an interior measuring 5" (127mm) in diameter and 4-1/2" (114mm) in depth in order to exactly accommodate one (1) standard toilet paper roll and shall be fabricated of alloy 18-8 stainless steel, type 304, 14 gauge. Beveled trim shall have N° 4 satin finish and four (4) mounting holes. Interior shall have glass blasted satin matte finish. Mounting hardware (supplied) shall consist of four (4) #12-24 pin-Torx® round head machine screws.

**Recessed Toilet Paper Holder with square bezel shall be Model N° 110-13 as manufactured by American Specialties, Inc., 441 Saw Mill River Road, Yonkers, New York 10701-4913**

### INSTALLATION

For compliance with ADA Accessibility Guidelines install unit so that centerline of paper holder is between 19"(483mm) minimum above finished floor (AFF) to 44"(1118mm) maximum AFF and leading edge of roll is no farther than 36"(914mm) from back wall behind commode. Recommended mounting height is 32"(813mm) minimum AFF. Recess mount paper holder into wall opening. Secure unit to wall with four (4) #12-24 pin-Torx® round head machine screws supplied. Suitable anchors for wall material to be supplied by others.

**Rough Wall Opening (RWO) required is..... 5-1/4" (133mm) diameter X 4-1/2" (114mm) minimum depth.**

### OPERATION

One roll of toilet paper is stored in the 5" (127 mm) dia. x 4-1/2"(114mm) deep cylindrical holder. Toilet paper is replenished on a cycle determined by maintenance needs.

Accessory Specialties

AMERICAN DISPENSER

Desert Ray Products

WATROUS inc.