



AMERICAN SPECIALTIES, INC.

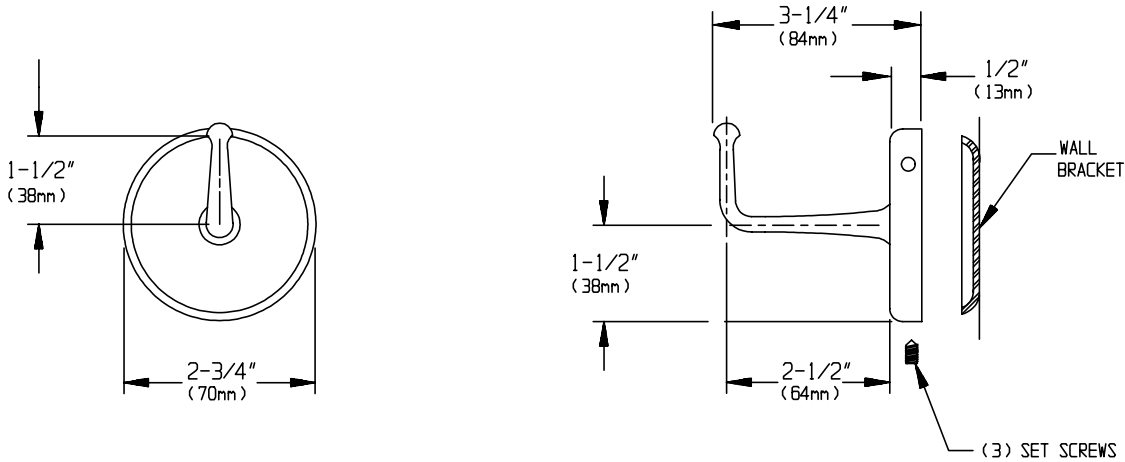
441 Saw Mill River Road, Yonkers, NY 10701 (914) 476-9000
www.americanspecialties.com

MODEL No: 0751

ISSUED: 1-87

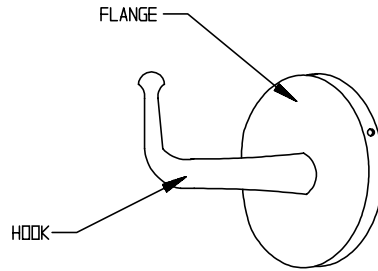
REVISED: 12-06

SURFACE MOUNTED HEAVY DUTY ROBE HOOK



FRONT VIEW

SIDE VIEW



PERSPECTIVE

SPECIFICATION

Surface Mounted Heavy-Duty Robe Hook shall be fabricated of brass with a chrome finish. Three (3) 1/4-28 cone point stainless steel hex socket set screws shall be provided evenly spaced around perimeter of flange for securing to wall bracket. Hook shall be capable of supporting over 300 lbs (136.1 kg) when properly attached to building element.

Heavy Duty Robe Hook shall be Model N° 0751 of American Specialties, Inc. 441 Saw Mill River Road Yonkers, New York 10701-4913

INSTALLATION

Wall bracket is surface mounted using N° 10 pan head self-tapping screws (provided by others to suit wall conditions) in a manner capable of supporting 300 lbs (136.1 kg) of downward force. Ensure that mounting configuration complies with local building codes. Secure hook to bracket by tightening three (3) hex socket set screws on perimeter of flange with a 1/8" hex wrench. For compliance with ADA Accessibility Guidelines install the hook center-line 54" (1372) maximum above the finished floor (MAX AFF) when clear floor side reach access is provided or 48" (1219) MAX AFF with clear floor forward reach access only provided.