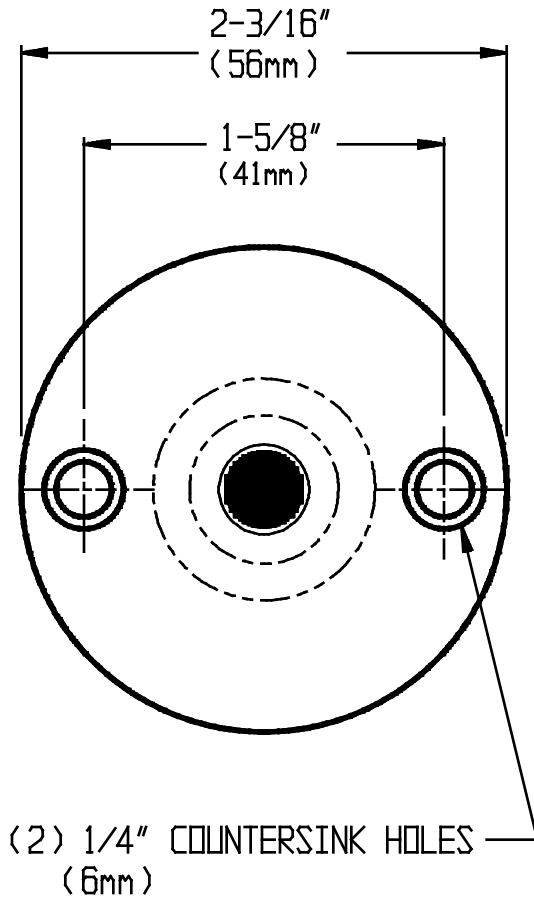




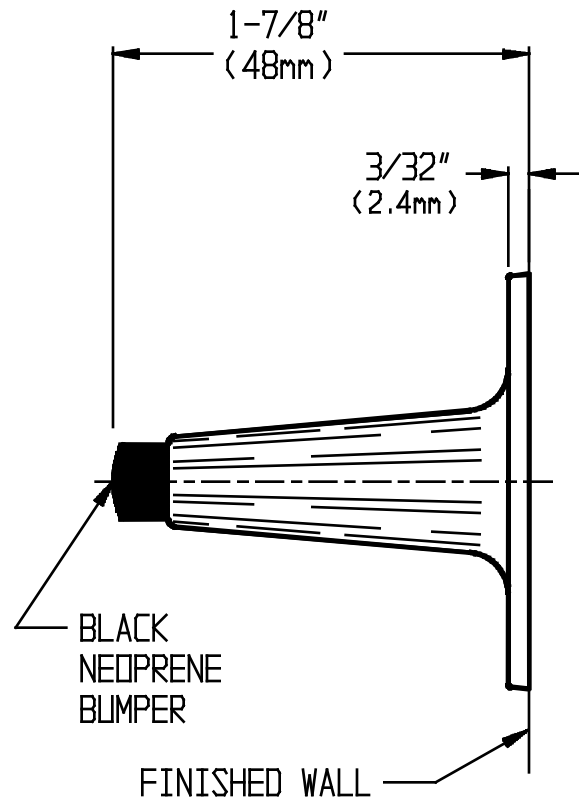
AMERICAN SPECIALTIES, INC.
441 Saw Mill River Road, Yonkers, NY 10701 (914) 476-9000

MODEL No:	0719
ISSUED:	4-91
REVISED:	9-96

SURFACE MOUNTED DOOR BUMPER



FRONT VIEW



SIDE VIEW

SPECIFICATION

Surface Mounted Door Bumper shall be fabricated of triple chrome plated rust proof Zamak with a black neoprene bumper to protect wall and or partition surfaces. Two (2) countersunk holes capable of accommodating N^o10 screws shall be provided for anchoring unit to wall.

Surface Mounted Door Bumper shall be Model N^o 0719 as fabricated by American Specialties, Inc. 441 Saw Mill River Road Yonkers, New York 10701-4913.

INSTALLATION

Bumper is surface mounted to wall or partition using N^o10 self tapping screws (not supplied).