



AMERICAN SPECIALTIES, INC.

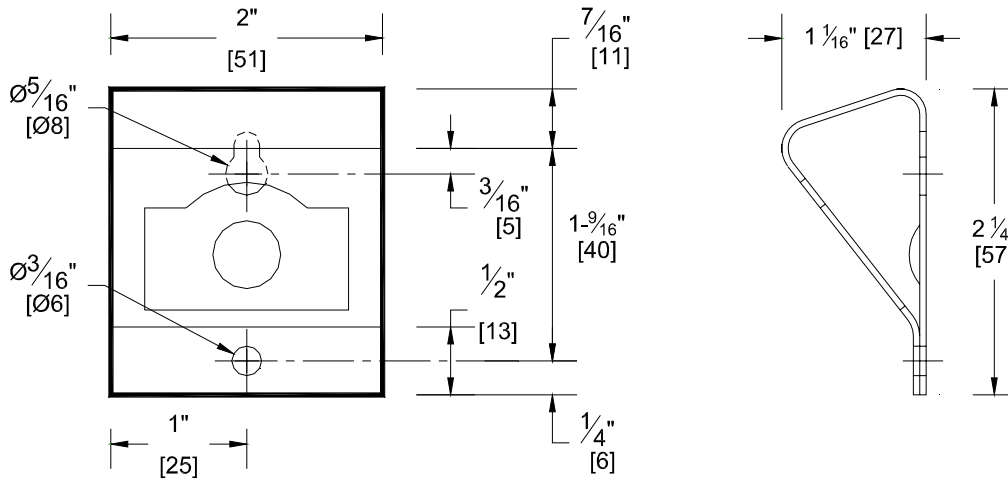
441 Saw Mill River Road, Yonkers, NY 10701 (914) 476-9000
www.americanspecialties.com

MODEL No: 0711

ISSUED: 01-87

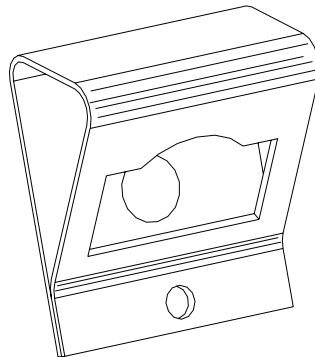
REVISED: 03-09

SURFACE MOUNTED BOTTLE OPENER



FRONT VIEW

SIDE VIEW



ISOMETRIC

NOTE:
ALL DIM'S
INCH [MM]

SPECIFICATION

Surface Mounted Bottle Opener shall be fabricated of alloy 18-8 stainless steel, type 304, 16 gauge of one piece construction. All exposed surfaces shall be satin finish and be protected during shipment with a PVC film easily removable after installation.

Surface Mounted Bottle Opener shall be Model N° 0711 as fabricated by American Specialties, Inc., 441 Saw Mill River Road, Yonkers, NY 10701-4913

INSTALLATION

A mounting hole through back is "key holed" for ease in hanging unit on pre-installed #10 pan head screw (supplied by others). Unit is secured by tightening bottom screw (supplied by others) firmly to wall. For compliance with ADA Accessibility Guidelines install unit so that top of opener is 48" (1219) maximum above finished floor.

OPERATION

Place bottle cap into opener behind cutout top jaw and push downward.

OPTIONS

For bright finish stainless steel instead of satin finish, add suffix -B to model number.

Accessory Specialties

AMERICAN DISPENSER

Desert Ray Products

WATROUS INC.