



**AMERICAN SPECIALTIES, INC.**

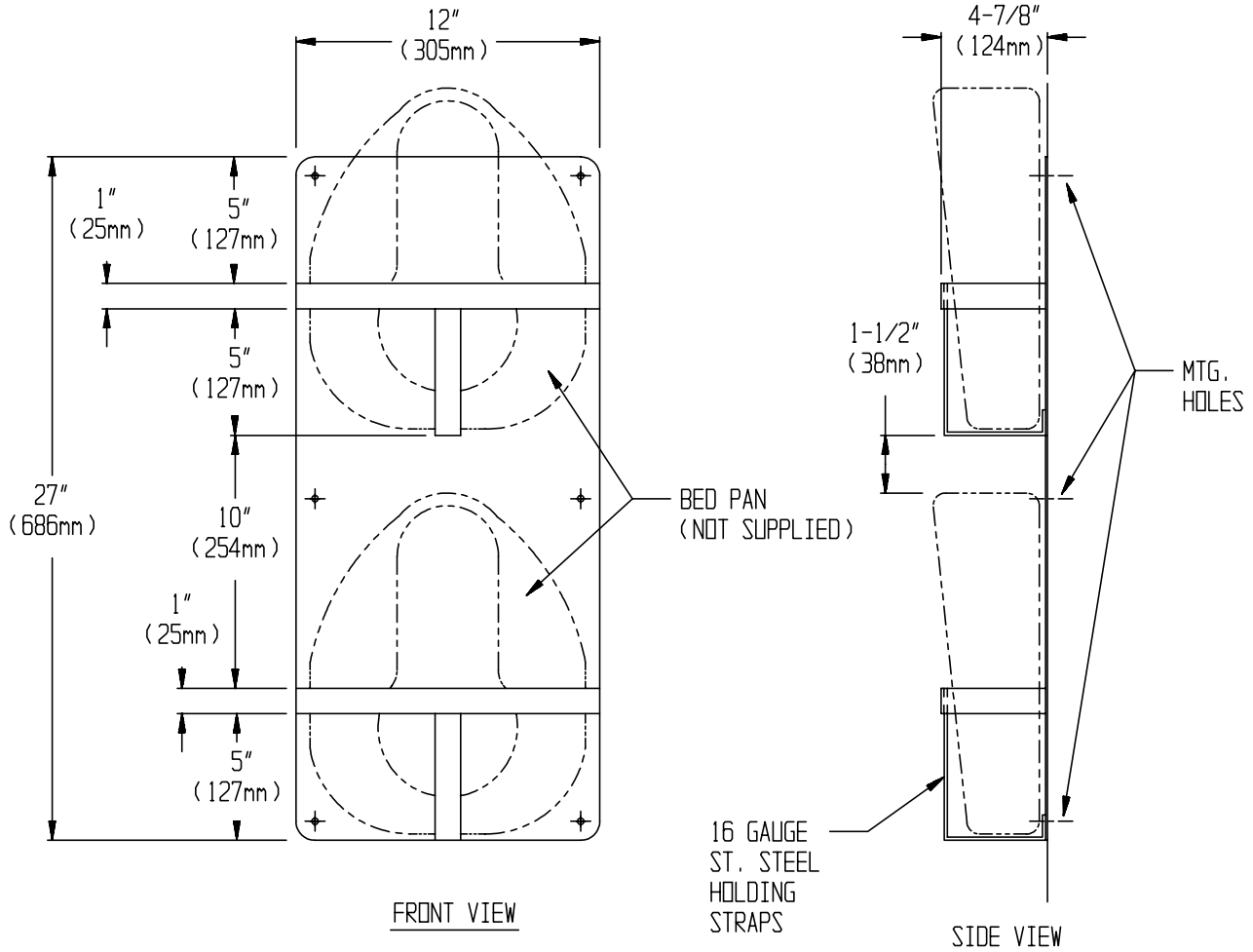
441 Saw Mill River Road, Yonkers, NY 10701 (914) 476-9000

MODEL No: 0559

ISSUED: 1-87

REVISED: 5-05

**SURFACE MOUNTED DOUBLE BEDPAN RACK**



**NOTE: PHYSICAL SAMPLES SHOULD BE PROVIDED TO CHECK FOR PROPER FIT.**

**SPECIFICATION**

Surface Mounted Double Bedpan Rack shall hold two (2) conventional bedpans of type indicated on shop fabrication drawing. Unit shall be fabricated of alloy 18-8 stainless steel, type 304. Back plate shall be 18 gauge and holding straps shall be 16 gauge. All exposed surfaces shall have N° 4 satin finish and shall be protected during shipment with a PVC film easily removable after installation.

**Surface Mounted Double Bedpan Rack shall be Model N° 0559 as manufactured by American Specialties, Inc., 441 Saw Mill River Road, Yonkers, New York 10701-4913.**

**INSTALLATION**

For compliance with ADA Accessibility Guidelines, install unit so that top of rack is 54" (1372mm) maximum above finished floor (AFF) if clear floor side reach access is provided or 48" (1219mm) maximum AFF if clear floor forward reach access is provided or 46" (1168mm) maximum AFF if side reach over obstruction is only provided (i.e. vanity). Surface mount and secure rack to wall with six (6) N° 10 self-tapping screws (by others) through mounting holes in back plate.

**OPERATION**

Bedpans are stored vertically in the rack one on top of the other and held in place by associated T-straps.