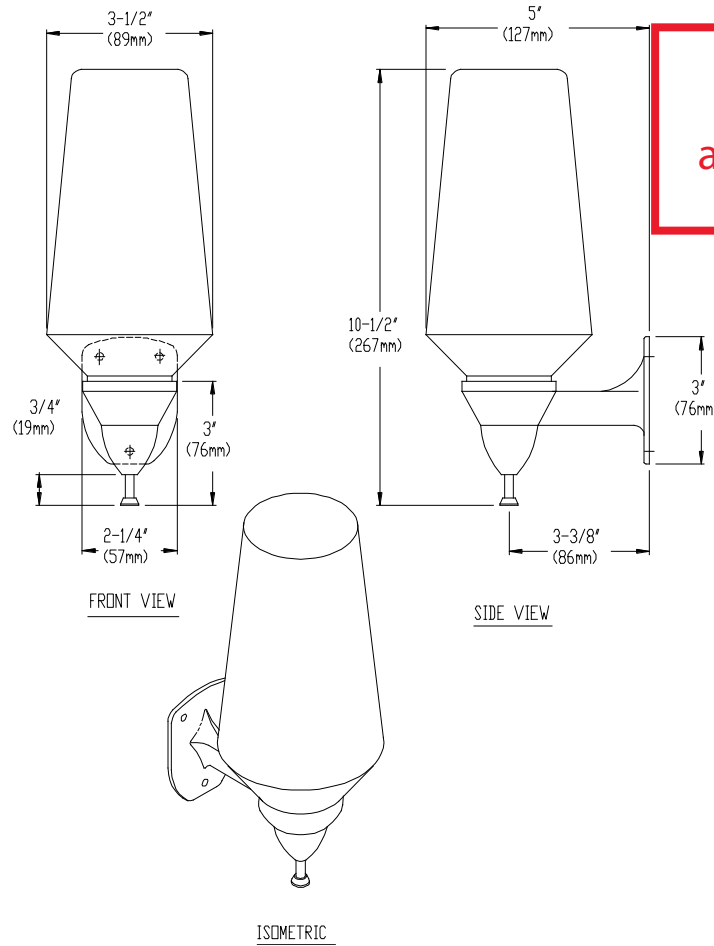




AMERICAN SPECIALTIES, INC.
441 Saw Mill River Road, Yonkers, NY 10701 (914) 476-9000

MODEL No:	0370
ISSUED:	1-87
REVISED:	9-96

SURFACE MOUNTED LIQUID SOAP DISPENSER (PUSH-UP TYPE)



**DISCONTINUED
as of August 2015**

SPECIFICATION

Surface Mounted Liquid Soap Dispenser (Push-up type) shall dispense 28 oz (.82 liters) of soap, detergent or lotion. Unit shall be fabricated of tamper resistant, chrome plated ABS plastic, a translucent white polyethylene soap container, and a corrosion resistant ABS dispensing valve with stainless steel spring. Valve operation shall comply with ADA Accessibility Guidelines by requiring no more than 5 lbs_f (22.2 Newtons) pressure to actuate and require no grasping or twisting by operator.

Surface Mounted Liquid Soap Dispenser (Push-up type) shall be Model N° 0370 as fabricated by American Specialties, Inc. 441 Saw Mill River Road Yonkers, New York 10701-4913

INSTALLATION

Unit is secured to wall or partition using N°10 self tapping screws (supplied). For maximum usability and compliance with ADA Accessibility Guidelines, unit should be installed so that valve is 54" (1371mm) maximum above finished floor (AFF) when clear side access is provided; 48" (1219mm) AFF with forward reach access only provided and 46" (1168mm) with side reach over an obstruction (ie: vanity). Recommended installation is 42" (1066mm) AFF or 6" (152mm) minimum above wash basin.

OPERATION

A measured amount of soap is manually dispensed by pushing-up against valve. Unit can be reloaded by unscrewing base from bracket collar, inverting unit and unscrewing soap container. Soap will continue to feed properly until empty. Tank supply is replenished manually on cycle determined by maintenance needs. Soap level is continuously visible.