



AMERICAN SPECIALTIES, INC.

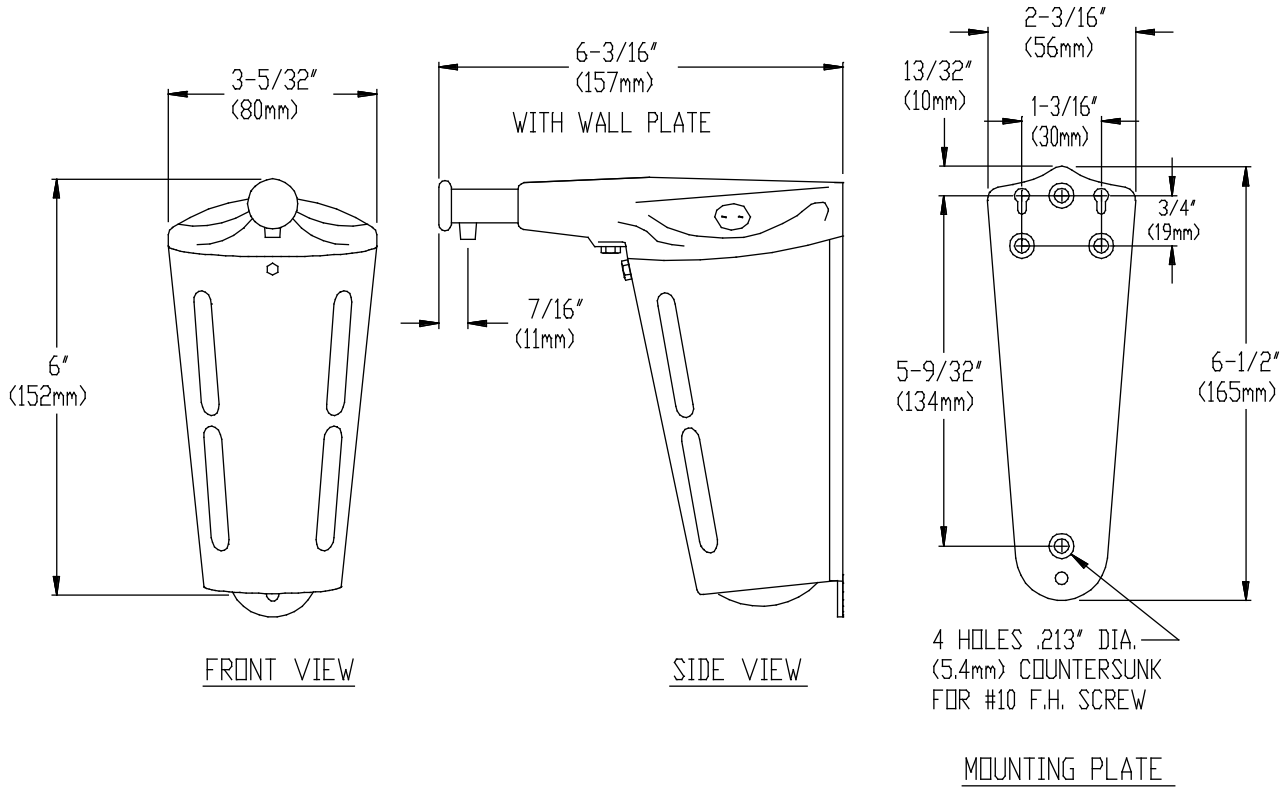
441 Saw Mill River Road, Yonkers, NY 10701 (914) 476-9000

MODEL No: 0351

ISSUED: 1-87

REVISED: 9-96

SURFACE MOUNTED LIQUID SOAP DISPENSER



SPECIFICATION

Surface Mounted Liquid Soap Dispenser shall dispense 12 oz (.35 liter) of soap, lotion or detergent. Housing and filler cap shall be fabricated of alloy 18-8 stainless steel, type 304. Housing shall have four (4) top to bottom viewing slots and shall hold a removable plastic globe. Filler cap shall be permanently chained to housing. Valve shall be constructed of a chrome-plated brass body with stainless steel and plastic internal parts. Valve operation shall comply with ADA Accessibility Guidelines by requiring no more than 5 lbs_f (22.2 Newtons) pressure to actuate and require no grasping or twisting by operator. All exposed metal surfaces shall be mirror finish.

Surface Mounted Liquid Soap Dispenser shall be Model № 0351 of American Specialties, Inc. 441 Saw Mill River Road Yonkers, New York 10701-4913

INSTALLATION

Unit is secured to a concealed (tamper resistant) wall plate which is surface mounted to wall or partition using №10 self tapping screws (supplied). For maximum usability and compliance with ADA Accessibility Guidelines unit should be installed so that valve is 54" (1372mm) maximum above finished floor (AFF) when clear floor side reach access is provided; 48" (1219mm) max. AFF if clear floor forward reach access is provided or 46" (1168 mm) max. AFF if side reach over an obstruction only is provided (ie: vanity). Recommended installation for general utility is 42" (1066 mm) AFF or 6" (152 mm) minimum above wash basin.

OPERATION

Soap is manually dispensed by depressing push button. Unit is refilled by unlocking filler cap using a service key. Soap will continue to feed properly until empty. Tank supply is refilled manually on cycle determined by maintenance needs.

Accessory Specialties

AMERICAN DISPENSER

Desert Ray Products

WATROUS INC.