



AMERICAN SPECIALTIES, INC.

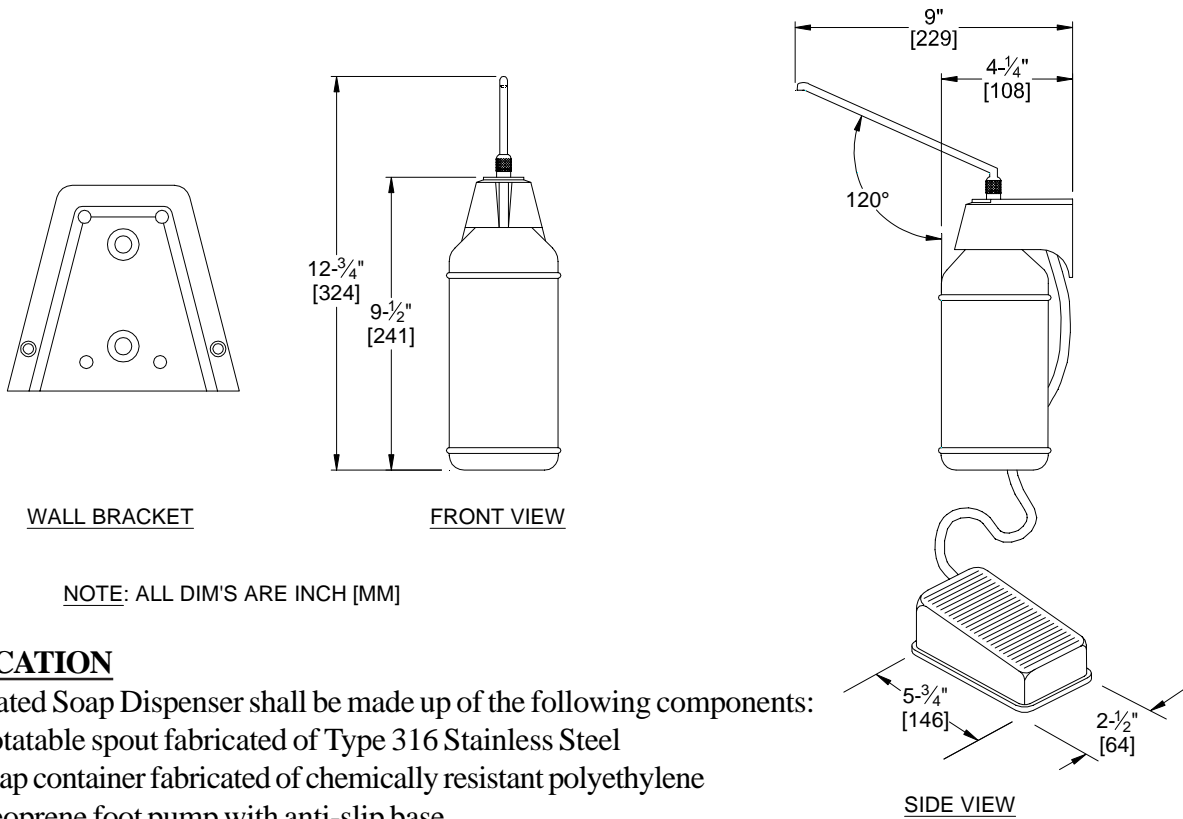
441 Saw Mill River Road, Yonkers, NY 10701 (914) 476-9000
www.americanspecialties.com

MODEL No: 0349

ISSUED: 01-87

REVISED: 01-08

FOOT OPERATED SURGICAL SOAP DISPENSER



WALL BRACKET

FRONT VIEW

SIDE VIEW

NOTE: ALL DIM'S ARE INCH [MM]

SPECIFICATION

Foot Operated Soap Dispenser shall be made up of the following components:

- Rotatable spout fabricated of Type 316 Stainless Steel
- Soap container fabricated of chemically resistant polyethylene
- Neoprene foot pump with anti-slip base
- Air tubing: 96" [2438] of vinyl
- Wall bracket ABS plastic with mounting screws
- Dispenser valve housing with check valve made of chemically resistant ABS plastic

Capacity: 32 OZ [.94 liter] of liquid soap

Foot Operated Soap Dispenser shall be Model N° 0349 of American Specialties, Inc., 441 Saw Mill River Road, Yonkers, New York 10701-4913

INSTALLATION

Unit is surface mounted to wall or partition using N° 10 self tapping screws (supplied) through holes provided in wall bracket into metal inserts in valve housing. For maximum usability and compliance with ADA Accessibility Guidelines, install unit so that spout is 48" [1219] MAX AFF or 46" [1168] AFF MAX with side reach over an obstruction (e.g.: vanity). Recommended installation is 42" [1066] AFF or 16" [406] maximum above wash basin.

OPERATION

Soap is dispensed when the foot pump is depressed until reservoir is empty. Check valve prevents siphoning. The soap spout swings freely over 180° thereby allowing manual repositioning for easy use. Unit is reloaded by unscrewing soap tank from valve housing. Translucent tank continuously indicates soap level and may be refilled at any time although soap will continue to feed properly until empty. Tank supply is refilled manually on cycle determined by maintenance needs.

Accessory Specialties

AMERICAN DISPENSER

Desert Ray Products

WATROUS inc.