



AMERICAN SPECIALTIES, INC.

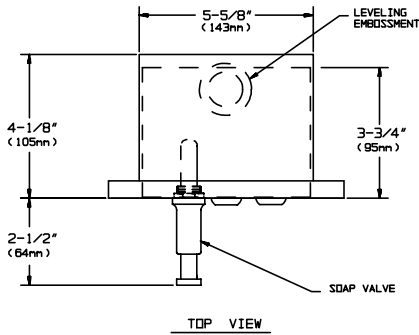
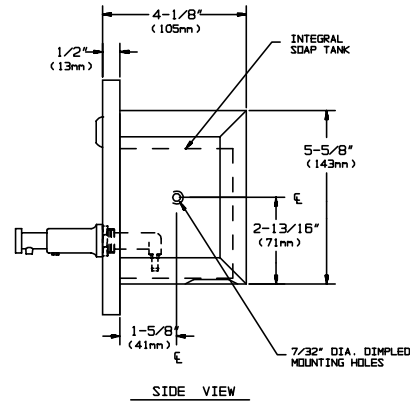
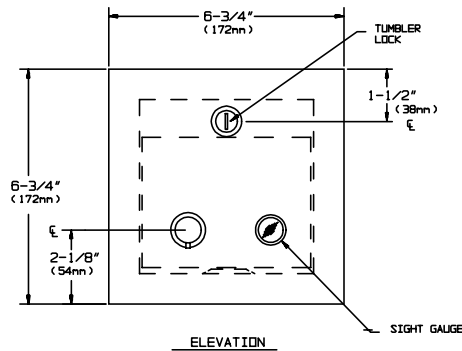
441 Saw Mill River Road, Yonkers, NY 10701 (914) 476-9000

MODEL No: 0327

ISSUED: 1-87

REVISED: 8-04

RECESSED LIQUID SOAP DISPENSER



**DISCONTINUED
as of August 2015**

SPECIFICATION

Recessed Liquid Soap Dispenser Unit shall hold and dispense 34 oz. (1 liter) of liquid and lotion soaps, synthetic detergents and antibacterial soaps containing PCMX and/or Triclosan. Dispenser tank, door, mounting frame and valve push button shall be fabricated of alloy 18-8 stainless steel, type 304. Door and tank shall be fabricated as one integral unit from 18 gauge stainless steel. Mounting frame shall be 22 gauge. Door shall be held closed with a tumbler lock keyed alike to other ASI washroom equipment and have 1/2 (13mm) square return to wall. Cabinet shall have no exposed fastening devices. A tamper resistant sight gauge shall be provided. Valve operation shall comply with ADA Accessibility Guidelines by requiring no more than 5 lbs_f (22.2 Newtons) pressure to actuate and require no grasping or twisting by operator. Valve shall be constructed of chrome-plated brass body with stainless steel and plastic internal parts. All exposed surfaces shall be N° 4 satin finish and be protected during shipment with a PVC film easily removable after installation.

Recessed Liquid Soap Dispenser shall be Model N° 0327 as manufactured by American Specialties, Inc., 441 Saw Mill River Road, Yonkers, New York 10701-4913

INSTALLATION

Unit is mounted in wall recess using N° 10 self tapping screws (by others) through concealed mounting holes provided. For compliance with ADA Accessibility Guidelines, unit should be installed so that dispenser valve dispenser valve is 54 (1372mm) maximum above finished floor (AFF) if clear floor side reach access is provided or 48 (1219mm) max. AFF if clear floor forward reach access only is provided or 46 (1168mm) max. AFF if side reach over an obstruction only is provided (ie: vanity). Note that RWO is 3/4 (19mm) below top of unit.

Rough Wall Opening (RWO) required is..... 5-7/8" W x 5-7/8" H x 4" D (150mm x 150mm x 102mm)

OPERATION

Soap is manually dispensed by depressing push button. Unit may be reloaded easily by removing door-tank assembly with a partial load in-place and will continue to feed properly. Tank supply is replenished manually on cycle determined by maintenance needs.