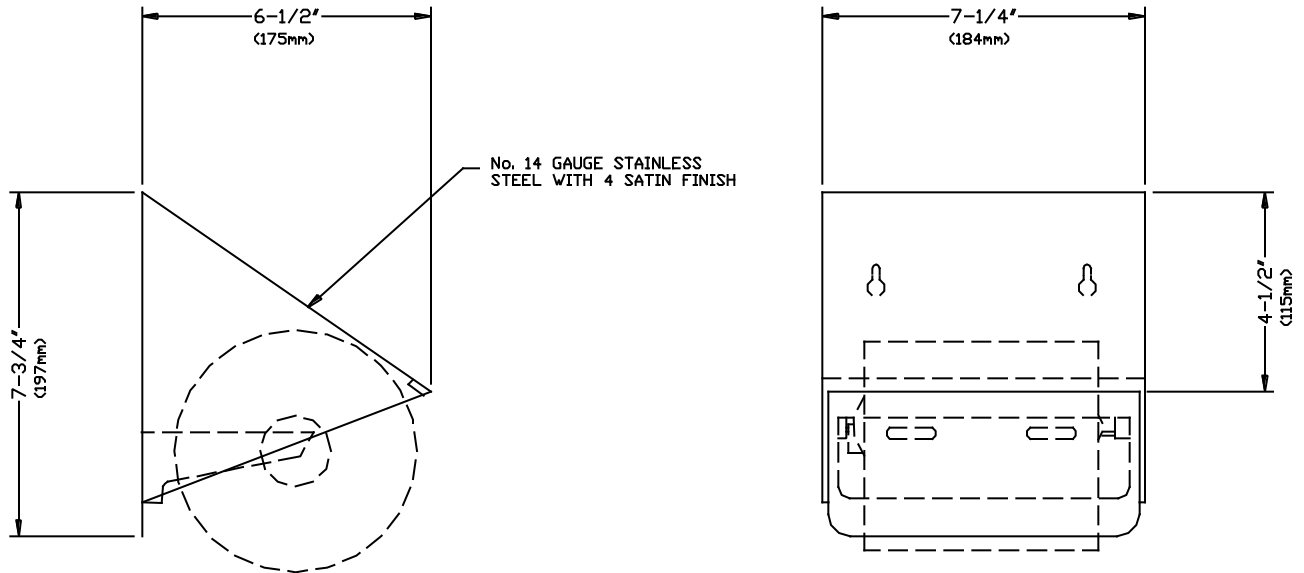




AMERICAN SPECIALTIES, INC.
441 Saw Mill River Road, Yonkers, NY 10701 (914) 476-9000

MODEL No:	0266
ISSUED:	1-87
REVISED:	3-97

SURFACE MOUNTED VANDAL PROOF HOOD



SPECIFICATION

Surface Mounted Vandal Proof Hood for Single Roll Toilet Tissue Holder (TPH) shall be fabricated of Alloy 18-8 stainless steel, Type 304, N° 14 gauge. Structural assembly of body shall be of welded construction and have no exposed fasteners or welded seams. All exposed surfaces shall be N° 4 Satin finish and be protected during shipment with a PVC film easily removable after installation.

Surface Mounted Vandal Proof Hood shall be Model N° 0266 as fabricated by American Specialties, Inc. 441 Saw Mill River Road, Yonkers, New York 10701-4913

INSTALLATION

Unit is surface mounted on wall or partition using 1/4" or N° 10 Theft Proof Fasteners such as one-way screws (not supplied). Two (2) mounting holes through back are "keyhole" slots for ease in hanging unit on pre-installed screws and two (2) lower mounting holes match up with mounting hole locations in 0263-1, 0263-12, 0263-1A and 0263-1A2. Selected TPH (not supplied) mounts over hole through back plate.

OPERATION

Unit is to be used in conjunction with Toilet Paper Holder Model N°'s 0263-1, 0263-12, 0263-1A, and 0263-1A2 (not supplied) and prevents application of downward force on TPH.