



Full Mortise-Self Closing Door Hinges

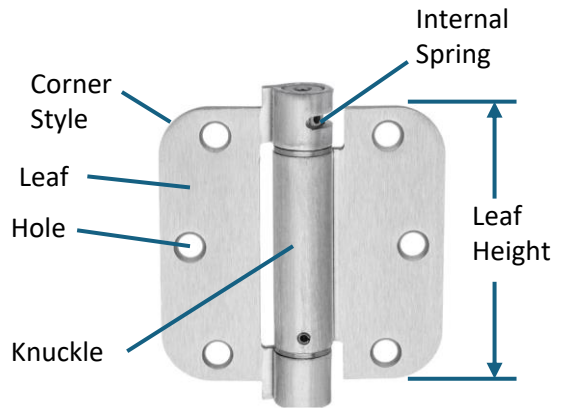
Ideal for use where automatic self closing of a door is required. Hinge is adjustable and the spring tension can be increased or decreased by using adjustable tools included. Full Spring tension may not be required on all hinges but allows for greater adjustment however most doors will require two spring hinges to close properly.

Spring hinges are often paired with Butt Hinge(s)



Need to show Mortised into the edge (Hinge flush with door)

Maximum Labeled Door Size Recommend 3'-0" Wide x 7'-0" High			
Series Recommended Maximum Door Weight (LBS)		Hinge Selection	
3.5x3.5	4x4	Spring Hinges	Butt Hinges
50	60	2 each	1 each
70	85	2 each	1 each
90	110	3 each	none



Hinge Anatomy

Notes:

1. The information above is based on limits set by NFPA #80
2. Two spring hinges is minimum requirement on fire labeled doors by NFPA #80
3. Weather stripping extreme window air pressure on one side of the door may require the use of maximum amount of spring hinges
4. Far best results to use all spring hinges

Leaf Height		Gauge of Metal (Thickness)		# Holes/ Hinge	#Hinges/ Set	Screws Included		Allen Wrench Qty	Tension Stopper Pin Qty	Tension Adjustment Rod Qty
In	mm	In	mm			Machine Screw Qty	Wood Screw Qty			
3-1/2	88.9	.11	2.7	6	2	12x	12x	1	4	1
4	101.6	.11	2.7	8	2	16x	16x	1	4	1

All Hinges come with mounting hardware included for an easy installation (#10 x 1" wood screws and #10-24 x 1/2" machine screws)



3-1/2" Spring Hinges, Radius Corners 5/8"

Features adjustable spring tension to control closing speed.
Residential spring hinges for lightweight, self-closing doors in multi-family and similar settings



- Durability: Grade 1 (>1 Million cycles per ANSI/BHMA A156.17)
- Hinge Material: Steel, see color ref for finish
- Full Mortise Type
- Size: 3-1/2" x 3-1/2"
- 5/8" Radius corners
- Non Removable Hinge Pin
- Conforms to NFPA 80
- UL Listed R19063 for use on on "A" label fire doors
- UL Certificate of Compliance provided upon request

Available in Oil Rubbed Bronze (US10B) or Satin Nickel (US15) Finishes.
Sold in packs of 2

Dynasty Item #	Product Description	Product OD (LxWxH)	Color Ref
SP-35-58-10B-2PK	Spring Hinge,ORB,3-1/2_R5/8,2PK	3.5"(89) x0.74"(19)x4"(101.6)	Oil Rubbed Bronze (US10B)
SP-35-58-US15-2PK	Spring Hinge,SN,3-1/2_R5/8,2PK	3.5"(89) x0.74"(19)x4"(101.6)	Satin Nickel (US15)

Color References



US10B



US15

Identifier-Stamped on Leaf



Contents per package





4" Spring Hinges, Radius Corners 5/8"

Features adjustable spring tension to control closing speed.
Residential spring hinges for lightweight, self-closing doors in multi-family and similar settings



- Durability: Grade 1 (>1 Million cycles per ANSI/BHMA A156.17)
- Hinge Material: Steel, see color ref for finish
- Full Mortise Type
- Size: 4" x 4"
- 5/8" Radius corners
- Non Removable Hinge Pin
- Conforms to NFPA 80
- UL Listed R19063 and ANSI/UL10C for use on on "A" label fire doors
- UL Certificate of Compliance provided upon request

Available in Oil Rubbed Bronze (US10B), Satin Nickel (US15), or Satin Brass (US4) Finishes.
Sold in packs of 2

Dynasty Item #	Product Description	Product OD (LxWxH)	Color Ref
SP-40-58-10B-2PK	Spring Hinge, ORB 4_R5/8, PK	4"(101.6)x0.74"(19)x4.02"(102)	Oil Rubbed Bronze
SP-40-58-US15-2PK	Spring Hinge, SN, 4_R5/8, 2PK	4"(101.6)x0.74"(19)x4.02"(102)	Satin Nickel
SP-40-58-US4-2PK	Spring Hinge, SB, 4_R5/8, 2PK	4"(101.6)x0.74"(19)x4.02"(102)	Satin Brass

Color References

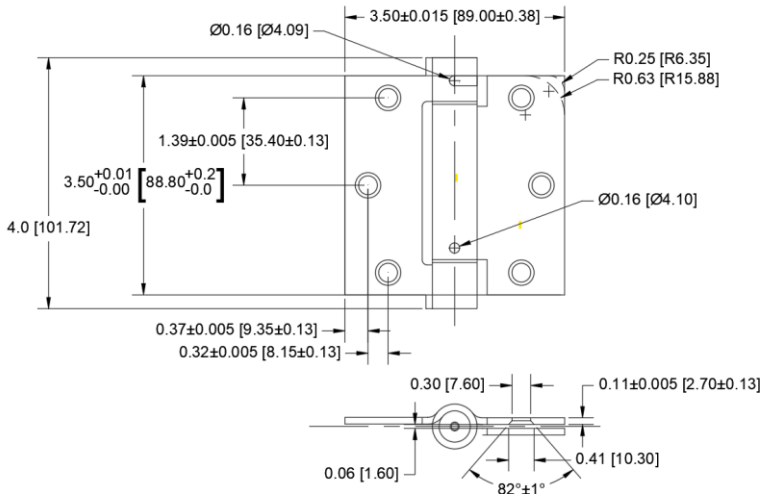


Identifier-Stamped on Leaf

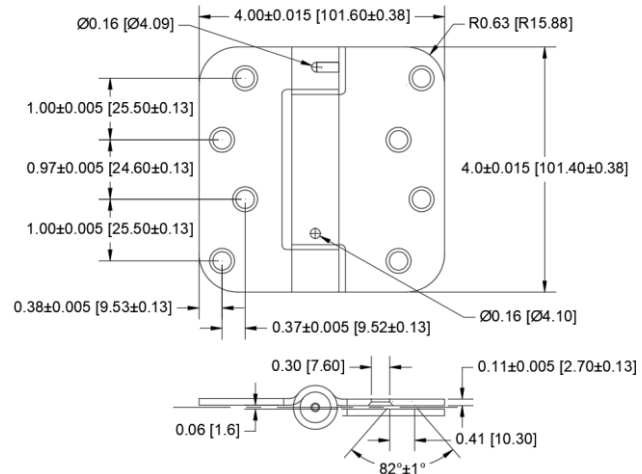


Contents per package

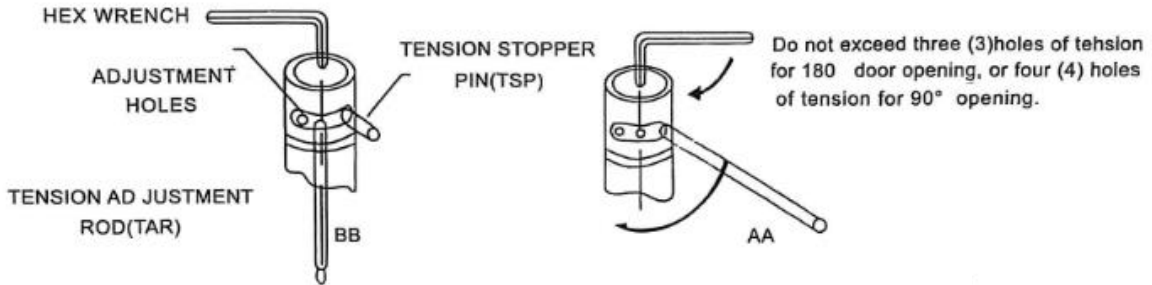
3-1/2" Spring Hinge Technical Dwg



4" Spring Hinge Technical Dwg



Spring Hinge Installation Guide



CAUTION: Always rotate the tension adjustment rod or hex wrench to the left regardless of Right or Left hand door applications.

HINGE INSTALLATION:
INSTALL HINGE WITH ADJUSTMENT HEAD IN THE UP POSITION

ADJUSTMENT OF SPRING TENSION

1. Make sure the door is in the closed position
2. Insert (TAR) in the right hand hole in the adjustment hole as shown in figure AA
3. Rotate (TAR) to the left and insert (TSP) in the hole as shown in figure BB
4. Release (TAR) until (TSP) contacts right hand side of adjustment holes
5. Remove (TAR) and test door for closing cycle and force
6. If door doesn't close repeat procedure until door closes
7. After final adjustment drive the (TSP) flush with hinge barrel