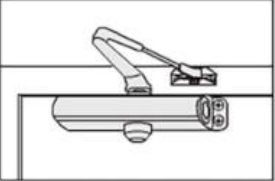


Dynasty Hardware offers a full line of **commercial-grade door closers** designed to deliver smooth, controlled closing for a variety of door types. Whether you're outfitting an office, school, retail space, or multi-family housing project, Dynasty Hardware provides **durable, cost-effective solutions** with reliable performance and easy installation.

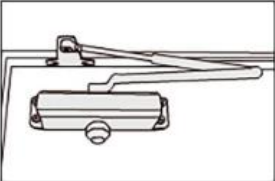


Versatile Mounting Options

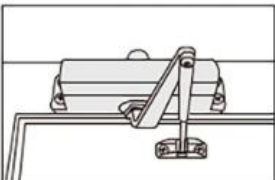
* Hardware Included For All 3 Mounting Styles




**Regular Arm Mount
Closer Mounted On
Pull Side Of Door**



**Parallel Arm Mount
Closer Mounted On
Push Side Of Door**



**Top Jamb Mount
Closer Mounted On
Push Side Of Door**

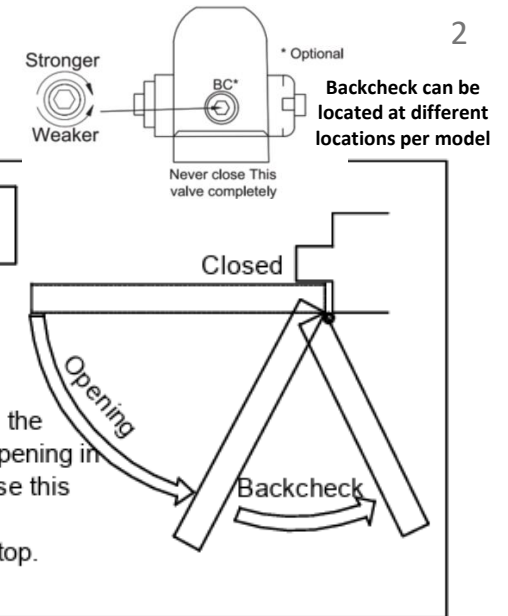


Valve Name	Function	When It Engages
Sweep Valve (Main Speed)	Controls the door's speed from fully open to about 10–15° from closing	During the majority of the closing swing
Latch Valve	Controls the final 10–15° of closing, ensuring proper latching into the frame	Right before the door fully closes
Backcheck Valve (only active during door opening)	Adds hydraulic resistance to prevent the door from being thrown open too forcefully	When the door is being opened past ~70°–85°

Door opening control

Caution: Do not back valves out of closer or a leak will result.

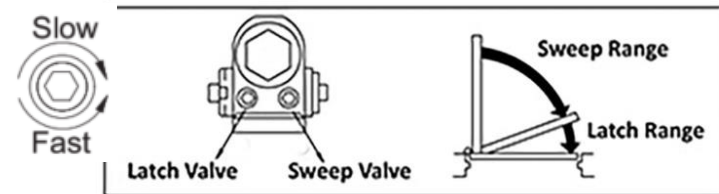
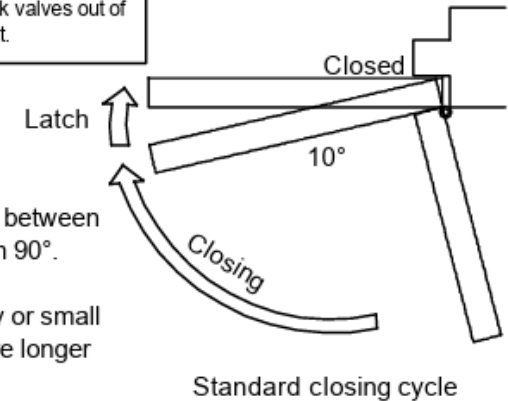
ATTENTION: Backcheck(BC) valve controls the hydraulic resistance to door opening in backcheck range. NEVER close this valve completely. It is not to provide a positive stop.



Door closing control

Caution: Do not back valves out of closer or a leak will result.

ATTENTION: Adjust closing time between 4 to 6 seconds from 90°. USE of the door by handicapped, elderly or small children may require longer closing time.



Adjustable Sweep & Latch Speed

Door Closers

Surface Mounted Door Closure
Model DYN-8500

Dynasty Item #'s DYN-8500-ALUM, DYN-8500-DURO

Applications	Heavy duty closer designed for schools, hospitals, and other high-use environments
Certifications	ADA compliant for opening force less 5 lbs UL 228 UL 10C 3 Hours fire rating
BHMA/ANSI A156.4	Designed and tested at factory in compliance with Grade 1 (2M cycles)
Spring power	Adjustable size 1 to 6 (preset to 3)
Maximum Door Weight	40-240 lbs
Installation type:	Tri-Pack Arm (Regular, Top Jamb and Parallel with Parallel Arm Bracket)- Standard
Valves	Adjustable backcheck, sweep, and latching valves- standard All valves are staked
Handing	Non-handed
Materials of Closer body	Die-cast Aluminum Alloy
Materials of Closer arm	Forged steel for high traffic abuse
Materials of plastic cover	High-strength flame-retardant ABS
Springs	Double heat-treated, steel-tempered springs
Rack and Pinion	Double heat treated
Bearings	Full Complement Bearing
Fluid:	All Weather Fluid
Working temperature	Minus 15°C to + 55°C
Fasteners Included	Universal screw pack for aluminum, hollow metal, and wood doors, includes self reaming and tapping screws. Sex nuts included.
Fast and easy installation	Template included
Finishes	ALUM (Aluminum), DURO (Duronotic)
Door Thickness	1-3/4" (44 mm) - standard
Warranty	5 years limited warranty



Aluminum Finish



Duronotic (Bronze) Finish

Note: Uses same hole pattern as Norton 8501 and 8301 Door Closers.
Does NOT come with universal plate



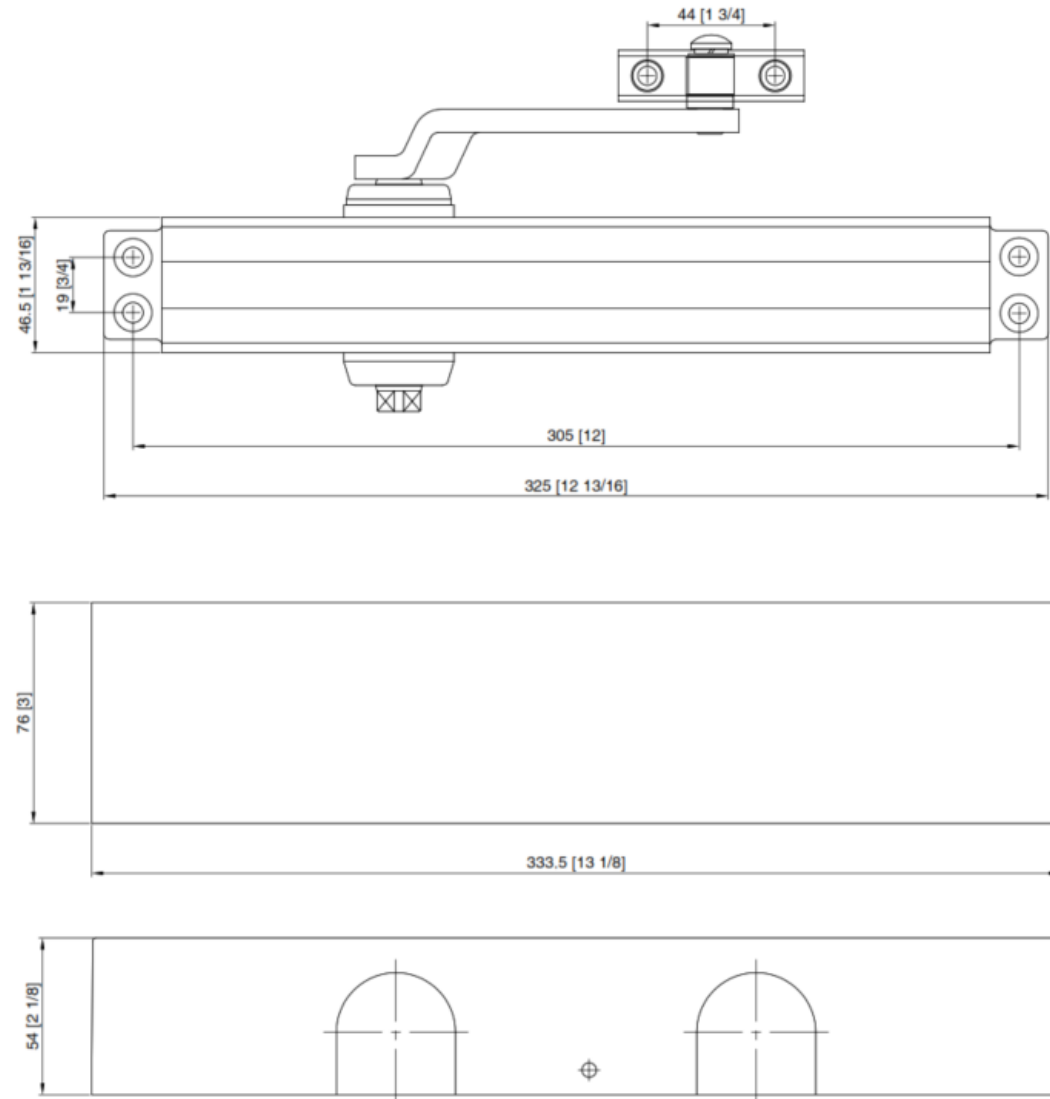
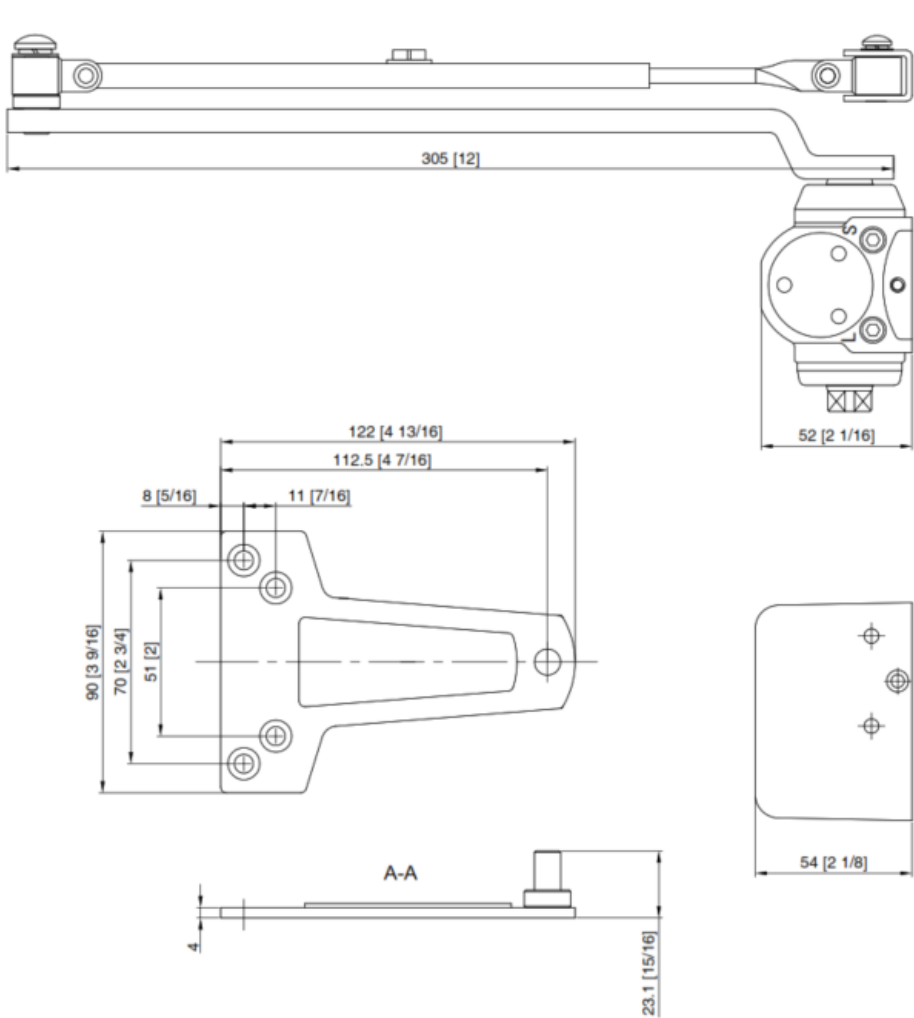
Contents:

1. Full Plastic Cover
2. Closer Body
3. Closer Arm
4. Thru bolts and screws
5. P.A Plate
6. Screw Package
7. Protective packaging(Consumer to Discard)

Note: Hardware matches product finish if exposed aesthetically

Door Closures

Surface Mounted Door Closure
DYN-8500

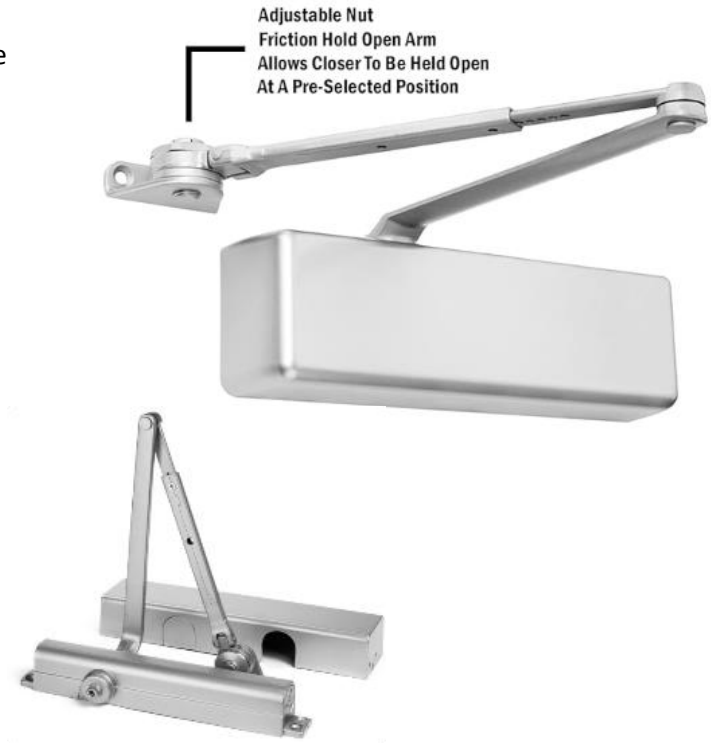


Door Closures

Surface Mounted Door Closure DYN-8500-HO

Dynasty Item #'s DYN-8500-HO-ALUM

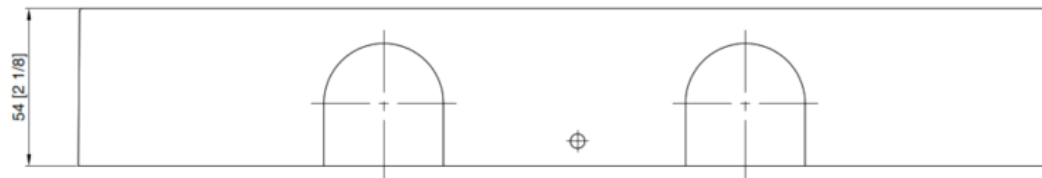
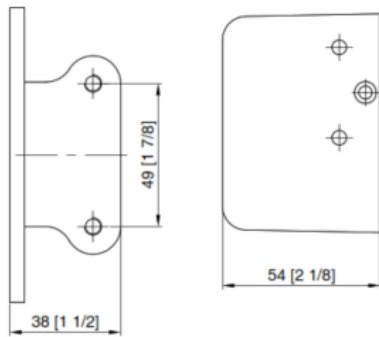
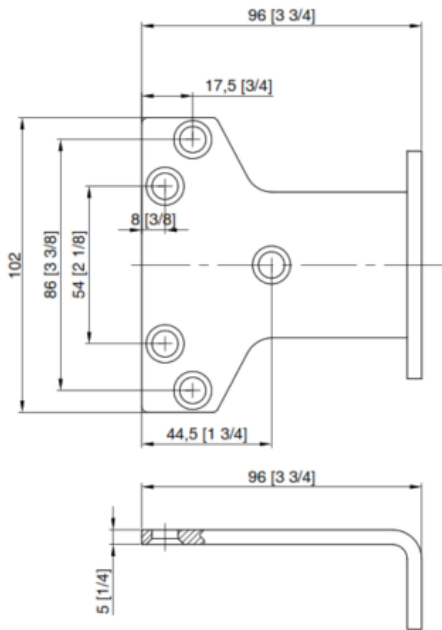
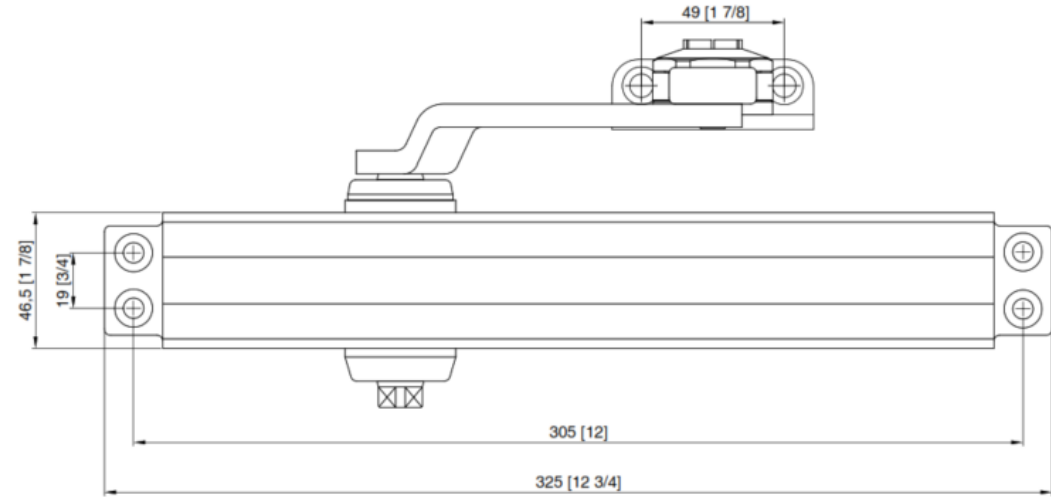
Applications	Heavy duty closer designed for schools, hospitals, and other high-use environments
Certifications	ADA compliant-*Non-Compliant (requires professional installation) UL 228 UL 10C-Non Compliant
BHMA/ANSI A156.4	Designed and tested at factory in compliance with Grade 1 (2M cycles)
Special note	Not used for a fire door due to mechanical hold open
Spring power	Adjustable size 1 to 6 (preset to 3)
Maximum Door Weight	40-240 lbs
Installation type:	Tri-Pack Hold open Arm (Regular, Top Jamb and Parallel with Parallel Arm Bracket)- Standard
Valves	Adjustable backcheck, sweep, and latching valves- standard All valves are staked
Handing	Non-handed
Materials of Closer body	Die-cast Aluminum Alloy
Materials of Closer arm	Forged steel for high traffic abuse
Materials of plastic cover	High-strength flame-retardant ABS
Springs	Double heat-treated, steel-tempered springs
Rack and Pinion	Double heat treated
Bearings	Full Complement Bearing
Fluid:	All Weather Fluid
Working temperature	Minus 15°C to + 55°C
Fasteners Included	Universal screw pack for aluminum, hollow metal, and wood doors, includes self reaming and tapping screws. Sex nuts included.
Fast and easy installation	Template included
Finishes	ALUM (Aluminum)
Door Thickness	1-3/4" (44 mm) - standard
Warranty	5 years limited warranty



Note: Mounting uses same hole pattern as Norton 8501 and 8301 Door Closures. Does NOT come with universal plate

Door Closures

Surface Mounted Door Closure
DYN-8500-HO



Door Closures

Surface Mounted Door Closure DYN-9000

Dynasty Item #'s DYN-9000-ALUM, DYN-9000-DURO

Applications	Heavy duty closer designed for schools, hospitals, and other high-use environments
Certifications	ADA compliant for opening force less 5 lbs UL 228 UL 10C 3 Hours fire rating
BHMA/ANSI A156.4	Designed and tested at factory in compliance with Grade 1 (2M cycles)
Spring power	Adjustable size 1 to 6 (preset to 3)
Maximum Door Weight	40-240 lbs
Installation type:	Tri-Pack Arm (Regular, Top Jamb and Parallel with Parallel Arm Bracket)- Standard
Valves	Adjustable backcheck, sweep, and latching valves- standard All valves are staked
Handing	Non-handed
Materials of Closer body	Die-cast Aluminum Alloy
Materials of Closer arm	stamped steel for high traffic abuse
Materials of plastic cover	High-strength flame-retardant ABS
Springs	Double heat-treated, steel-tempered springs
Rack and Pinion	Double heat treated
Bearings	Full Complement Bearing
Fluid:	All Weather Fluid
Working temperature	Minus 15°C to + 55°C
Fasteners Included	Universal screw pack for aluminum, hollow metal, and wood doors, includes self reaming and tapping screws. Sex nuts included.
Fast and easy installation	Template included
Finishes	ALUM (Aluminum), DURO (Duronotic)
Door Thickness	1-3/4" (44 mm) - standard
Warranty	5 years limited warranty



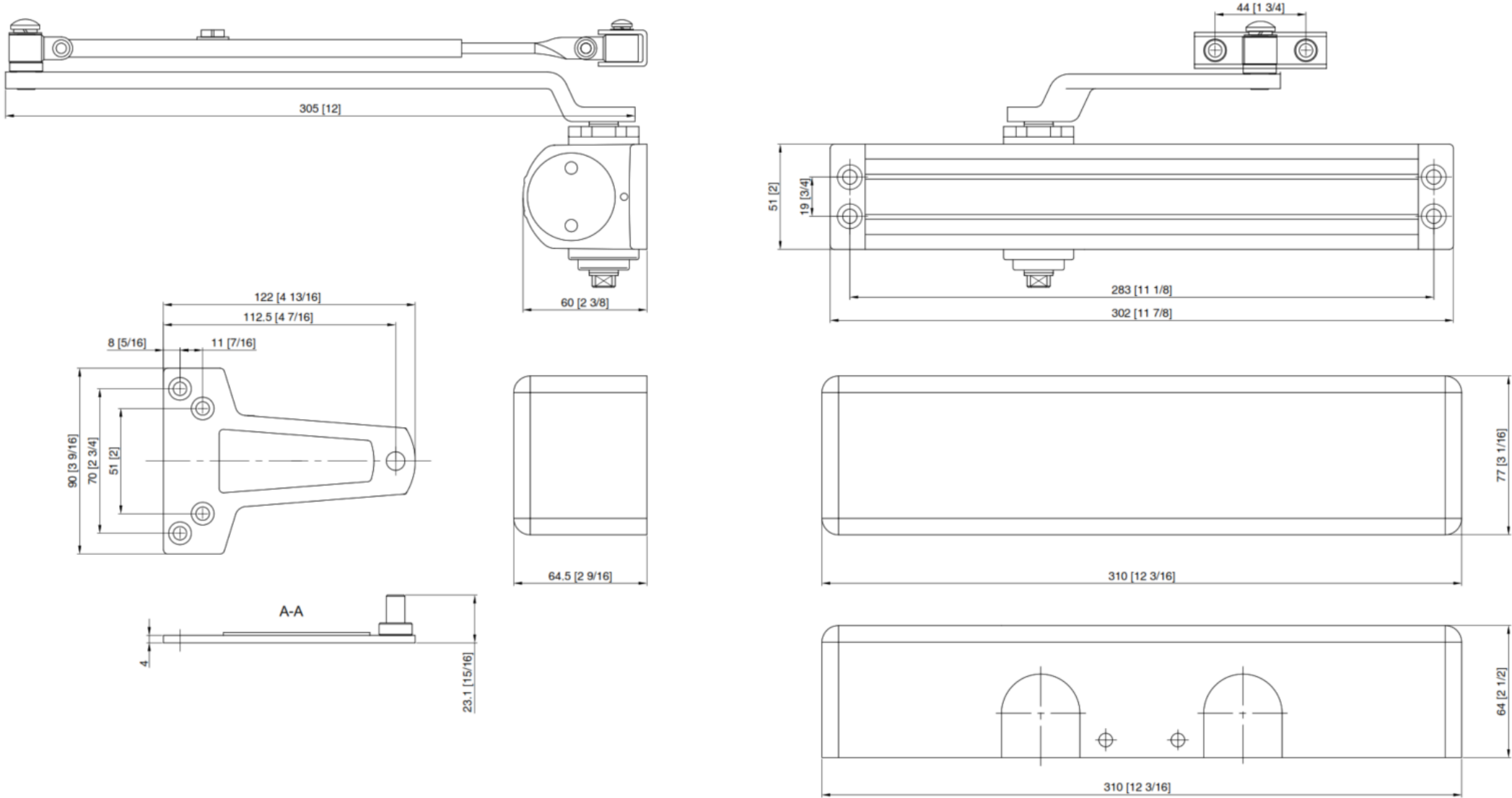
Aluminum Finish



Duronotic (Bronze) Finish

Door Closures

Surface Mounted Door Closure
DYN-9000

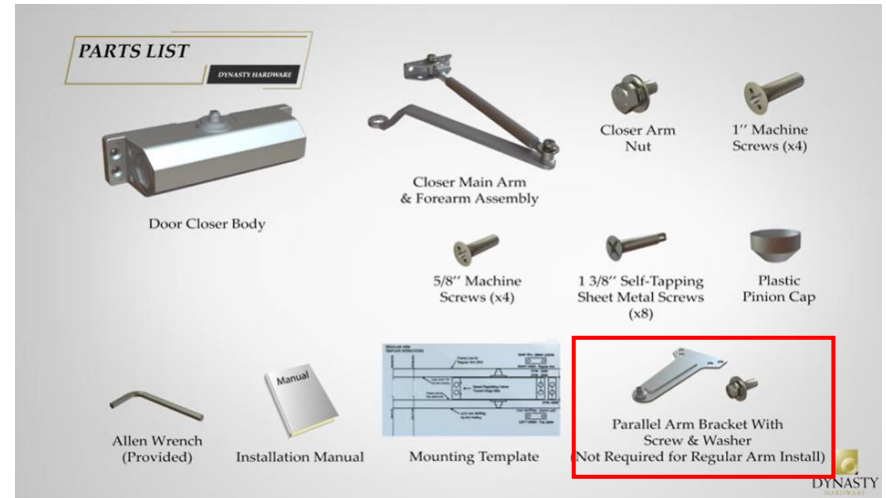


Door Closures

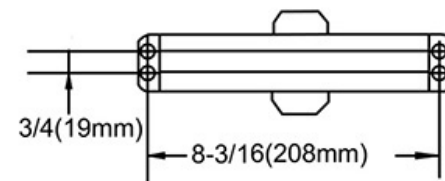
Surface Mounted Door Closure DYN-2000

Dynasty Item #'s DYN-2000-ALUM, DYN-2000-DURO

Applications	Light-duty closer designed for residential use, compact design
Certifications	ADA: Non-Compliant UL 228 UL 10C 3 Hours fire rating
BHMA/ANSI A156.4 standard	Designed and tested at factory in compliance with Grade 1 (2M cycles)
Spring power	Size 2
Maximum Door Weight	55-100 lbs
Max Door Size	42-Inch interior and 36" Exterior
Installation type:	Tri-Pack Arm (Regular, Top Jamb and Parallel with Parallel Arm Bracket)- Standard
Valves	Adjustable sweep, and latching valves- standard All valves are staked
Handing	Non-handed
Materials of Closer body	Die-cast Aluminum Alloy
Materials of Closer arm	stamped steel
Springs	Double heat-treated, steel-tempered springs
Rack and Pinion	Double heat treated
Bearings	Full Complement Bearing
Fluid:	All Weather Fluid
Working temperature	Minus 15°C to + 55°C
Fasteners	Universal screw pack for aluminum, hollow metal, and wood doors, includes self reaming and tapping screws.
Fast and easy installation	Template included
Finishes	ALUM (Aluminum), DURO (Duronotic)
Door Thickness	1-3/4" (44 mm) - standard
Warranty	5 years limited warranty



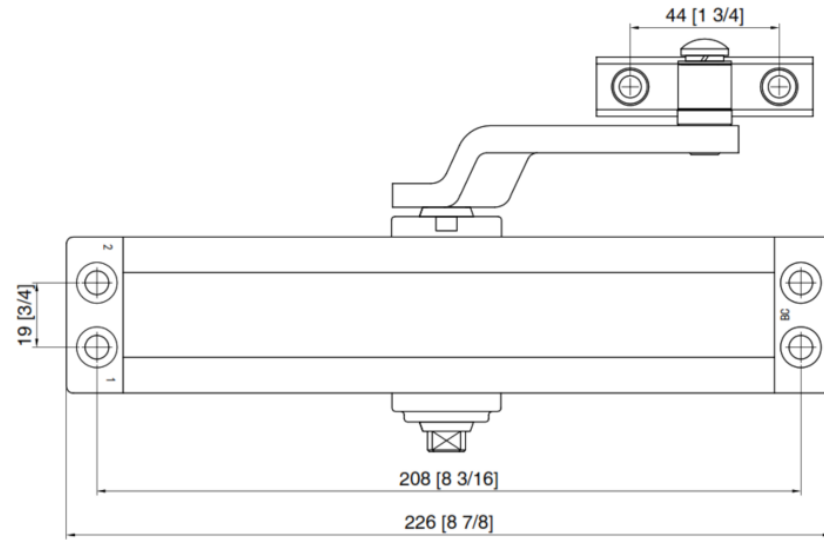
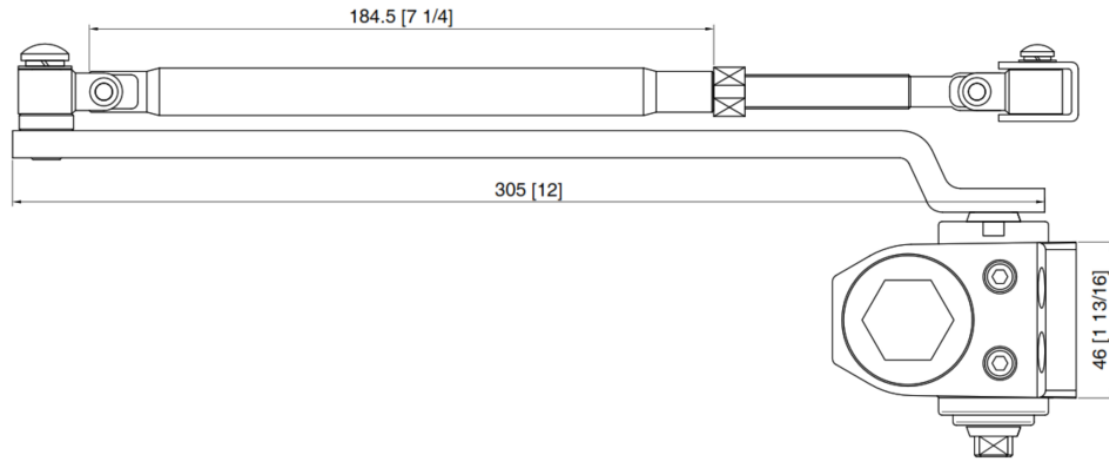
Note: Parallel Arm Bracket is not included in 2000 Series



Mounting Holes
Dims

Door Closures

Surface Mounted Door Closure
DYN-2000

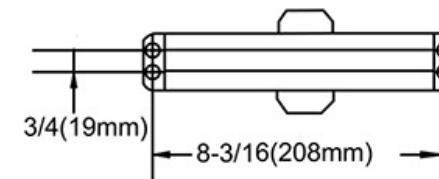
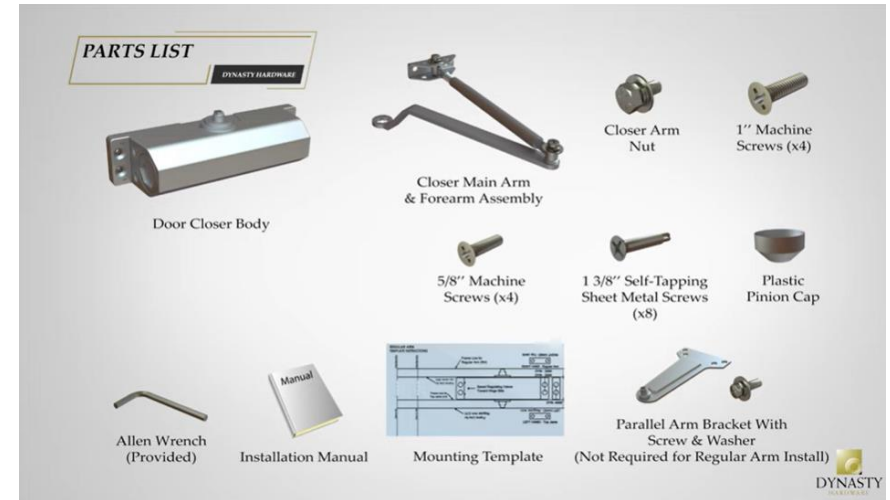


Door Closures

Surface Mounted Door Closure DYN-3000

Dynasty Item #'s DYN-3000-ALUM, DYN-3000-DURO

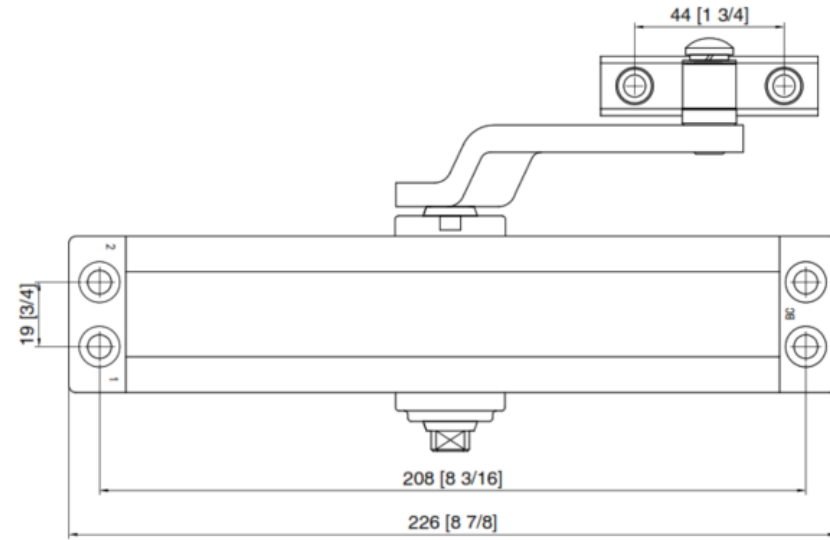
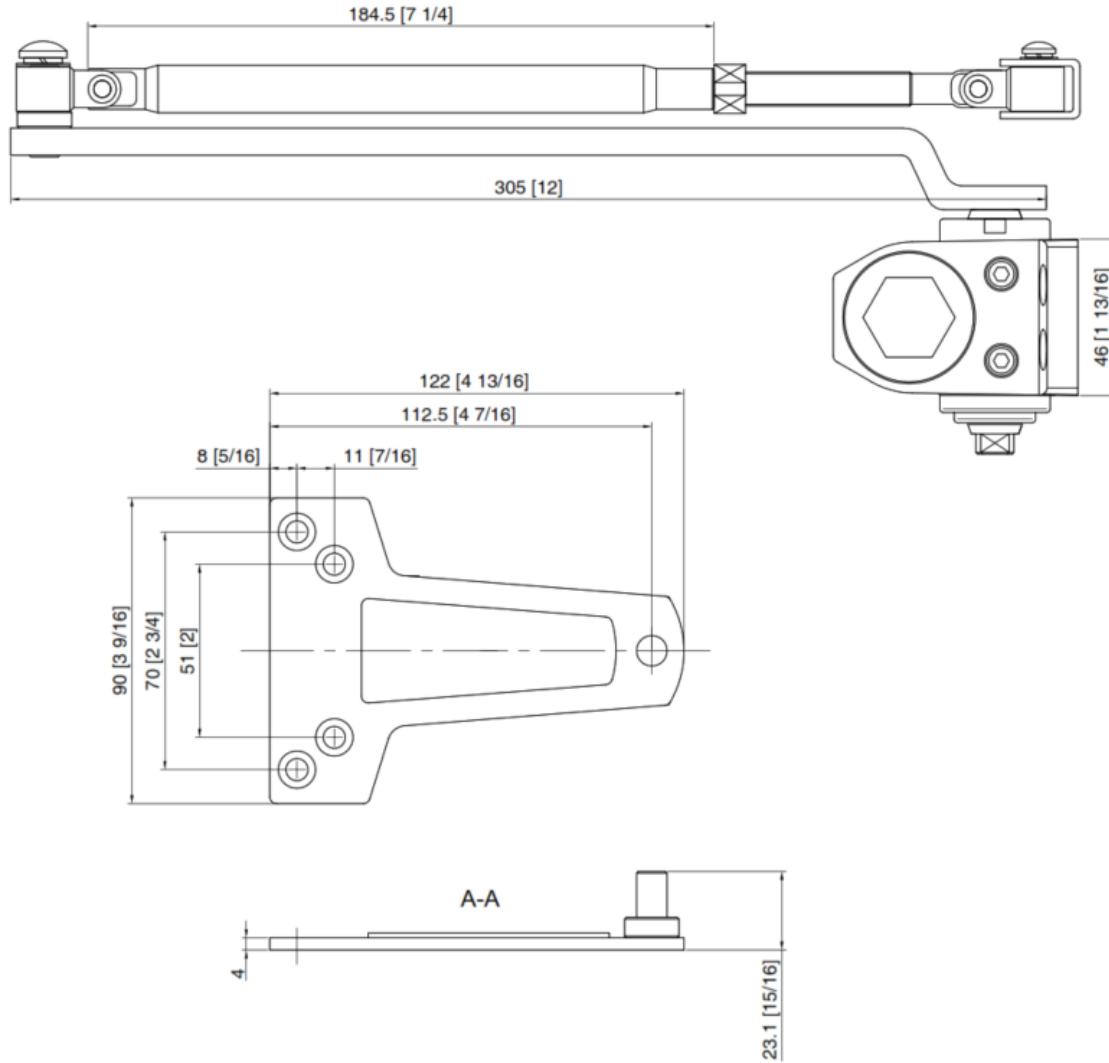
Applications	Light-duty closer designed for residential use
Certifications	ADA: Non-Compliant UL 228 UL 10C 3 Hours fire rating
BHMA/ANSI A156.4 standard	Designed and tested at factory in compliance with Grade 2 (1M cycles)
Spring power	Size 3
Maximum Door Weight	88-143 lbs
Max Door Size	42-Inch interior and 36" Exterior.
Installation type:	Tri-Pack Arm (Regular, Top Jamb and Parallel with Parallel Arm Bracket)- Standard
Valves	Adjustable sweep, and latching valves- standard All valves are staked
Handing	Non-handed
Materials of Closer body	Die-cast Aluminum Alloy
Materials of Closer arm	stamped steel
Springs	Double heat-treated, steel-tempered springs
Rack and Pinion	Double heat treated
Bearings	Full Complement Bearing
Fluid:	All Weather Fluid
Working temperature	Minus 15°C to + 55°C
Fasteners	Universal screw pack for aluminum, hollow metal, and wood doors, includes self reaming and tapping screws.
Fast and easy installation	Template included
Finishes	ALUM (Aluminum), DURO (Duronotic)
Door Thickness	1-3/4" (44 mm) - standard
Warranty	5 years limited warranty



Mounting Holes
Dims

Door Closures

Surface Mounted Door Closure
DYN-3000

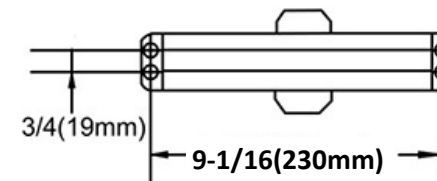
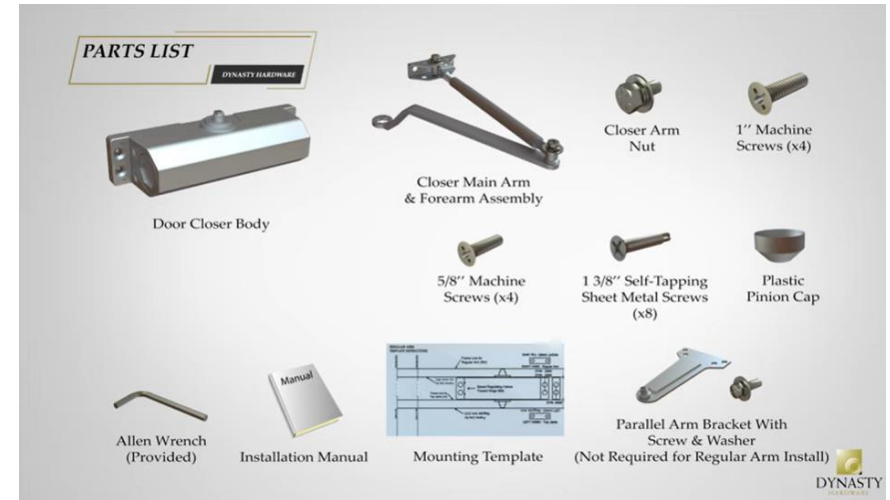


Door Closures

Surface Mounted Door Closure DYN-4000

Dynasty Item #'s DYN-4000-ALUM, DYN-4000-DURO

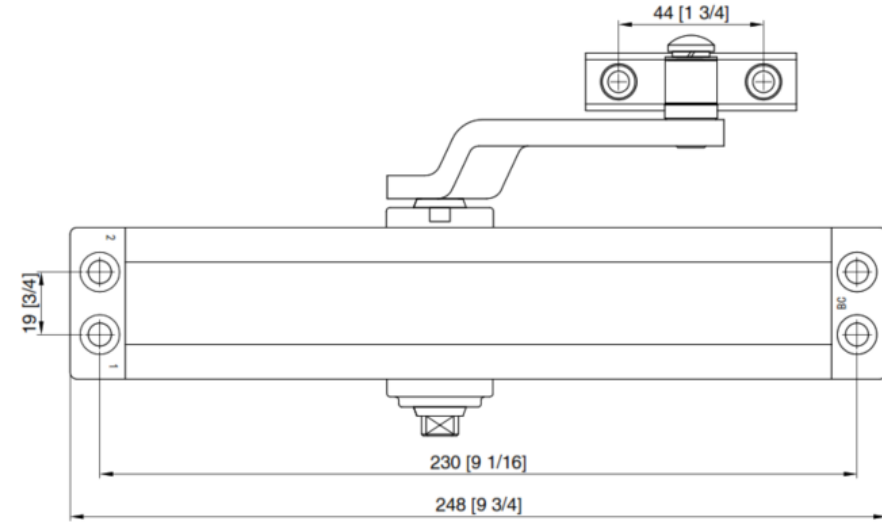
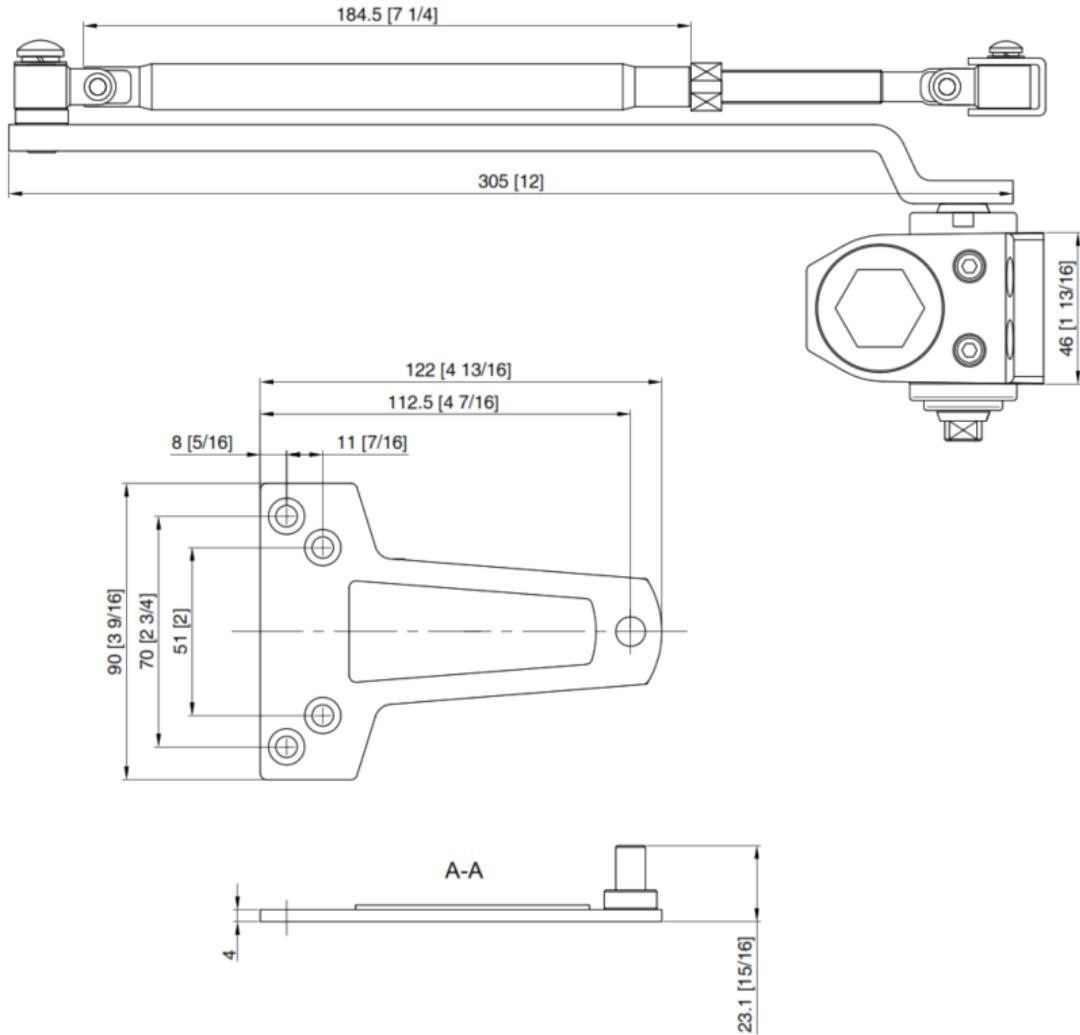
Applications	Medium-duty closer designed for retail storefronts, cafes, clinics and so on
Certifications	ADA: Non-Compliant UL 228 UL 10C 3 Hours fire rating
BHMA/ANSI A156.4 standard	Designed and tested at factory in compliance with Grade 2
Spring power	Size 4
Maximum Door Weight	120-187 lbs
Max Door Size	48-Inch interior and 42" Exterior.
Installation type:	Tri-Pack Arm (Regular, Top Jamb and Parallel with Parallel Arm Bracket)- Standard
Valves	Adjustable sweep, and latching valves- standard All valves are staked
Handing	Non-handed
Materials of Closer body	Die-cast Aluminum Alloy
Materials of Closer arm	stamped steel
Springs	Double heat-treated, steel-tempered springs
Rack and Pinion	Double heat treated
Bearings	Full Complement Bearing
Fluid:	All Weather Fluid
Working temperature	Minus 15°C to + 55°C
Fasteners	Universal screw pack for aluminum, hollow metal, and wood doors, includes self reaming and tapping screws.
Fast and easy installation	Template included
Finishes	ALUM (Aluminum), DURO (Duronotic)
Door Thickness	1-3/4" (44 mm) - standard
Warranty	5 years limited warranty



Mounting Holes
Dims

Door Closures

Surface Mounted Door Closure
DYN-4000



Door Closures

Surface Mounted Door Closure DYN-1614

Dynasty Item #'s DYN-1614-ALUM, DYN-1614-DURO

Applications	Medium-duty closer designed for retail storefronts, cafes, clinics and so on
Certifications	*ADA compliant for opening force less 5 lbs (see installation instructions) UL 228 UL 10C 3 Hours fire rating
BHMA/ANSI A156.4 standard	Designed and tested at factory in compliance with Grade 1
Spring power	Adjustable size 1 to 4 (preset to 3)
Maximum Door Weight	33-187 lbs
Max Door Size	See installation Instructions
Installation type:	Tri-Pack Arm (Regular, Top Jamb and Parallel with Parallel Arm Bracket)-Standard
Valves	Adjustable backcheck, sweep, and latching valves- standard All valves are staked
Handing	Non-handed
Materials of Closer body	Die-cast Aluminum Alloy
Materials of Closer arm	Forged steel for abuse purpose
Springs	Double heat-treated, steel-tempered springs
Rack and Pinion	Double heat treated
Bearings	Full Complement Bearing
Fluid:	All Weather Fluid
Working temperature	Minus 15°C to + 55°C
Fasteners	Universal screw pack for aluminum, hollow metal, and wood doors, includes self reaming and tapping screws.
Fast and easy installation	Template included
Finishes	ALUM (Aluminum), DURO (Duronotic)
Door Thickness	1-3/4" (44 mm) - standard
Warranty	5 years limited warranty



Note: Hardware matches product finish if exposed aesthetically

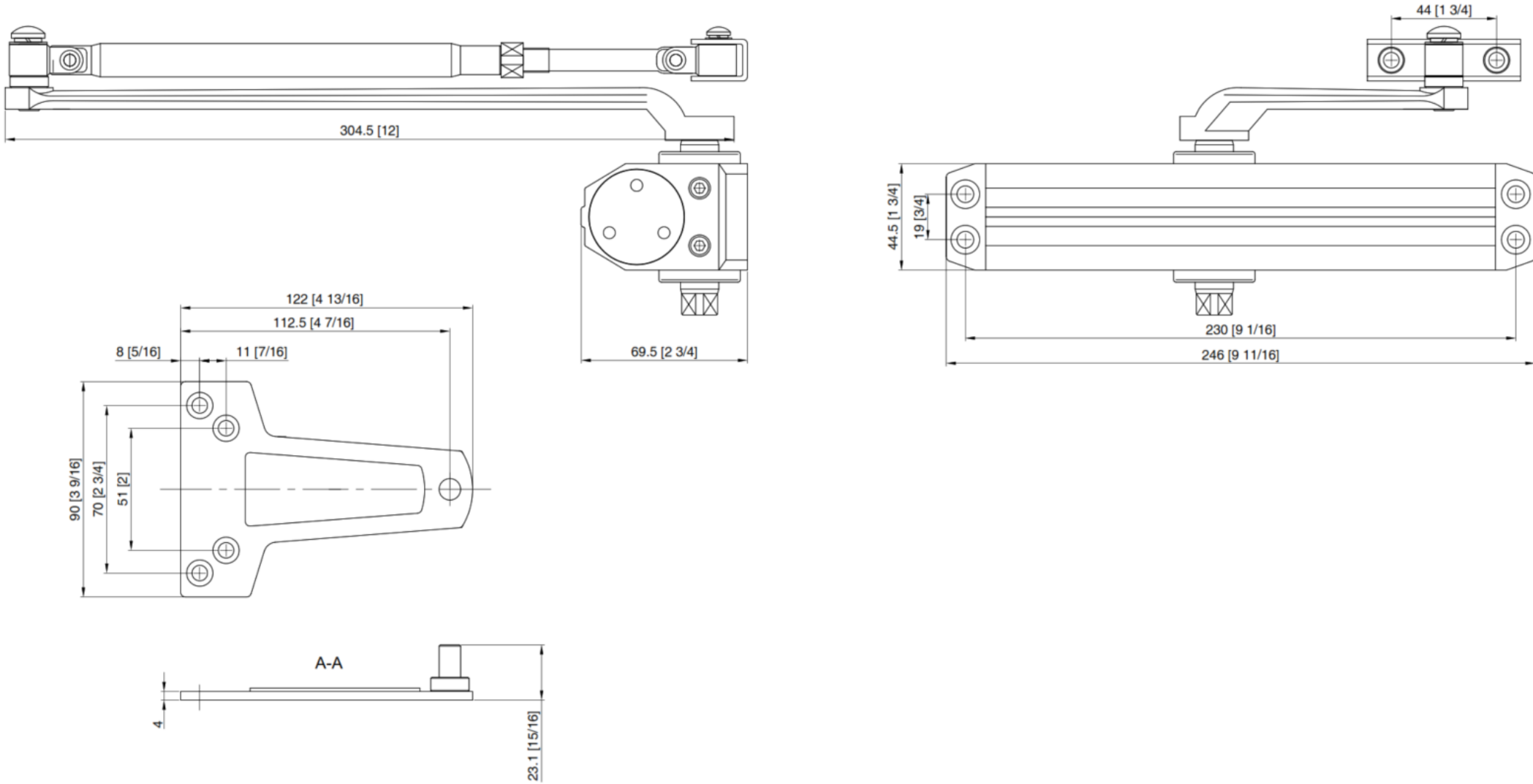


Contents:

1. Closer Body
2. Closer Arm
3. P.A Plate
4. Pinion Cap
5. Screw Package

Door Closures

Surface Mounted Door Closure
DYN-1614



Door Closures

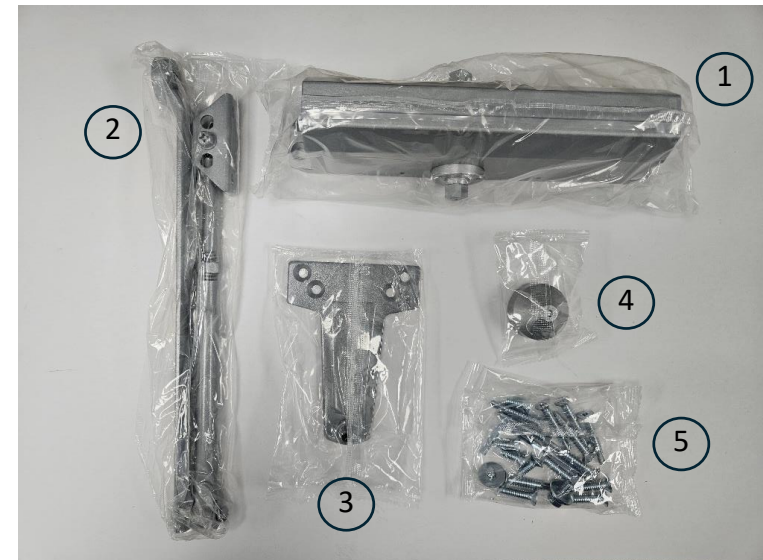
Surface Mounted Door Closure
DYN-1636

Dynasty Item #'s DYN-1636-ALUM, DYN-1636-DURO

Applications	Medium-duty closer designed for retail storefronts, cafes, clinics and so on
Certifications	*ADA compliant –Non-Compliant UL 228 UL 10C 3 Hours fire rating
BHMA/ANSI A156.4 standard	Designed and tested at factory in compliance with Grade 1
Spring power	Adjustable size 3 to 6 (preset to 3)
Maximum Door Weight	99-330 lbs
Door Widths	See installation Instructions
Installation type:	Tri-Pack Arm (Regular, Top Jamb and Parallel with Parallel Arm Bracket)-Standard
Valves	Adjustable backcheck, sweep, and latching valves- standard All valves are staked
Handing	Non-handed
Materials of Closer body	Die-cast Aluminum Alloy
Materials of Closer arm	Forged steel for abuse purpose
Springs	Double heat-treated, steel-tempered springs
Rack and Pinion	Double heat treated
Bearings	Full Complement Bearing
Fluid:	All Weather Fluid
Working temperature	Minus 15°C to + 55°C
Fasteners	Universal screw pack for aluminum, hollow metal, and wood doors, includes self reaming and tapping screws.
Fast and easy installation	Template included
Finishes	ALUM (Aluminum), DURO (Duronotic)
Door Thickness	1-3/4" (44 mm) - standard
Warranty	5 years limited warranty



Note: Hardware matches product finish if exposed aesthetically

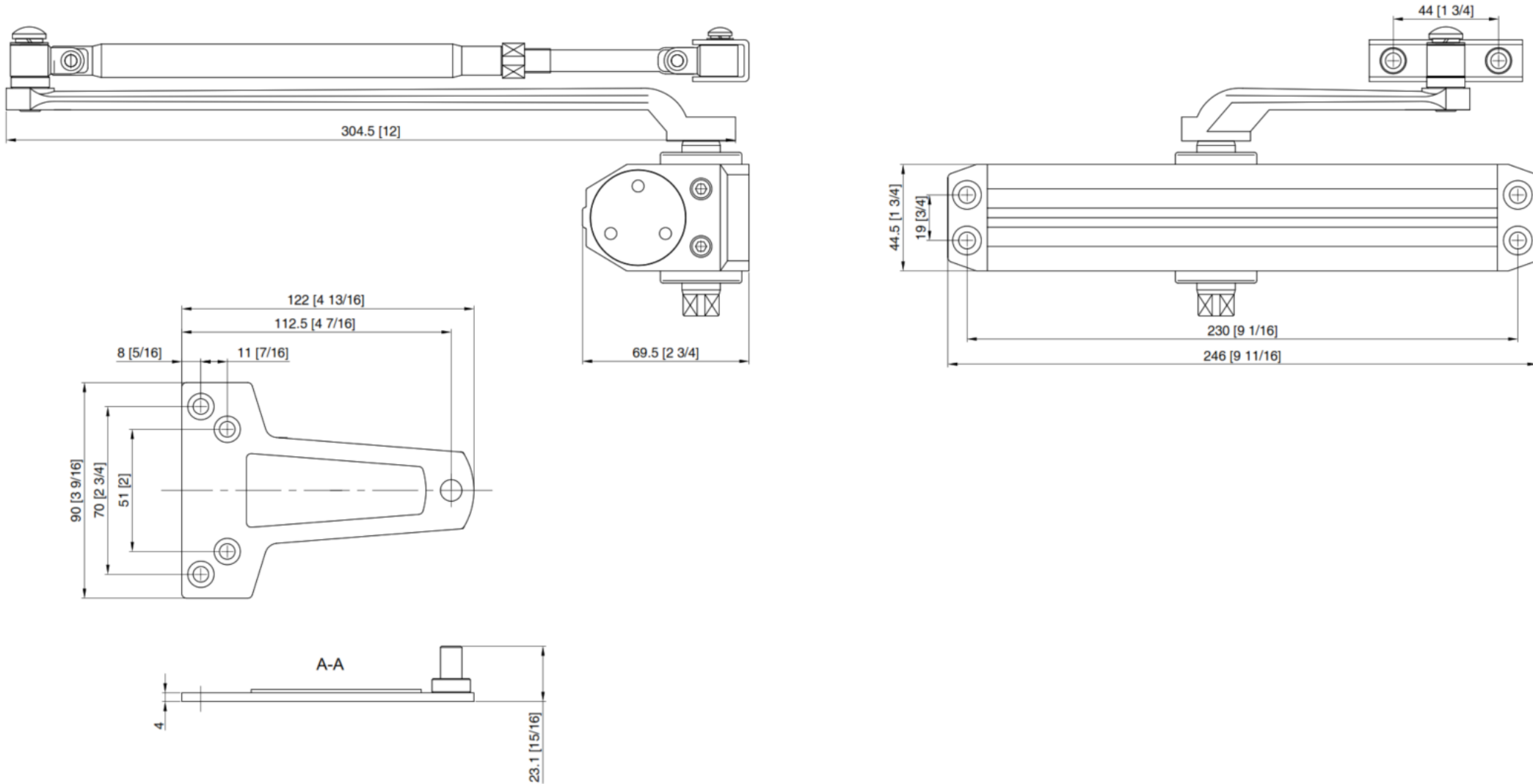


Contents:

1. Closer Body
2. Closer Arm
3. P.A Plate
4. Pinion Cap
5. Screw Package

Door Closures

Surface Mounted Door Closure
DYN-1636



Door Closures

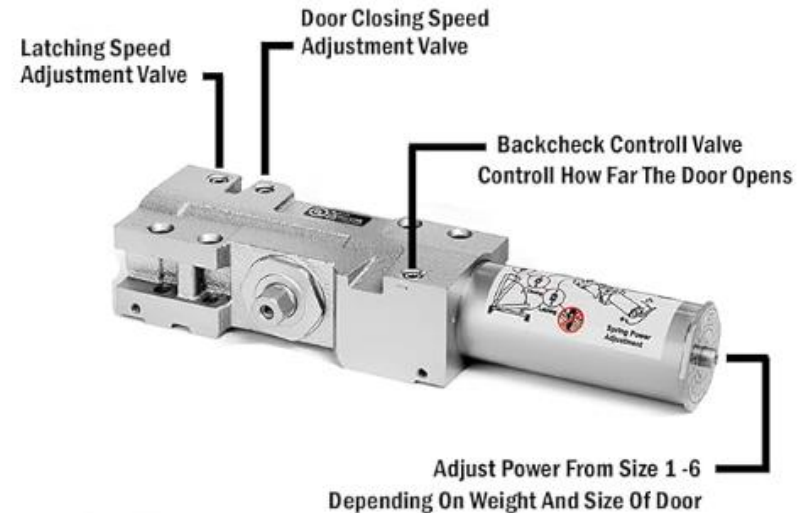
Surface Mounted Door Closure
DYN-4401

Dynasty Item #'s DYN-4401-ALUM, DYN-4401-DURO

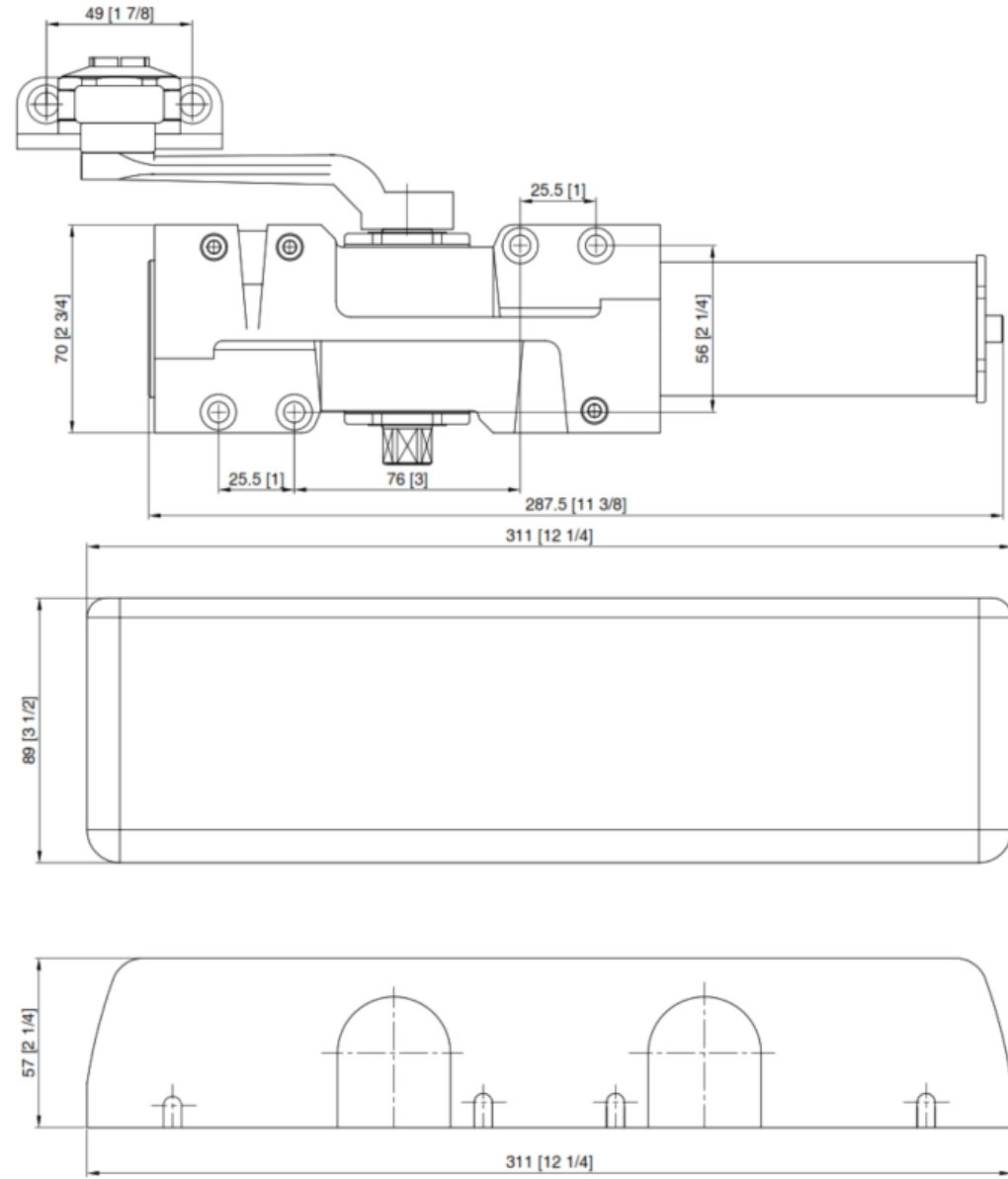
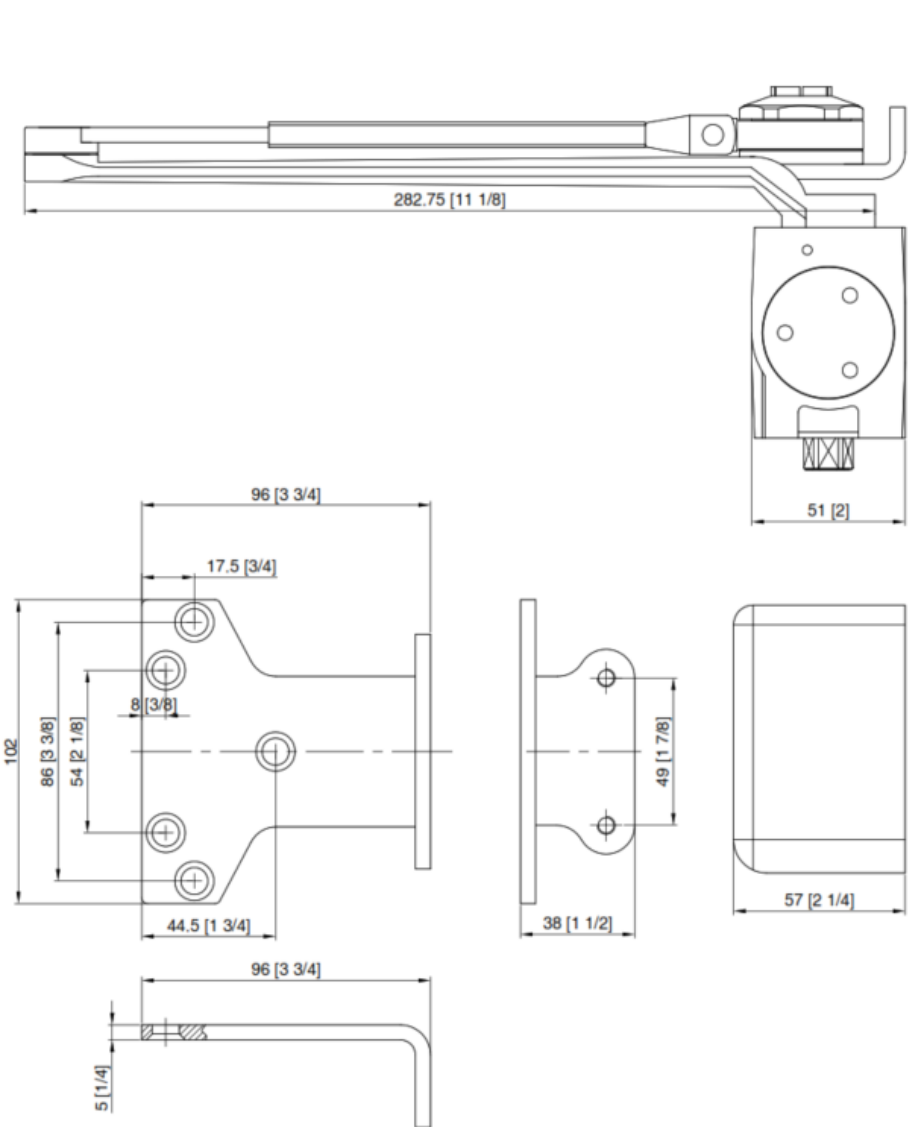
Applications	heavy duty closer designed for institutional and other demanding high traffic applications.
Certifications	*ADA compliant for opening force less 5 lbs (see installation instructions) UL 228 UL 10C 3 Hours fire rating
BHMA/ANSI A156.4 standard	Designed and tested at factory in compliance with Grade 1
Spring power	Adjustable size 1 to 6 (preset to 3)
Maximum Door Weight	40-240 lbs
Max Door Size	see installation instructions
Installation type:	Tri-Pack Arm (Regular, Top Jamb and Parallel with Parallel Arm Bracket)-Standard
Valves	Adjustable backcheck, sweep, and latching valves- standard All valves are staked
Handing	Non-handed
Materials of Closer body	Cast Iron
Materials of Closer arm	Forged steel for high traffic abuse
Materials of plastic cover	High-strength flame-retardant ABS
Springs	Double heat-treated, steel-tempered springs
Rack and Pinion	Double heat treated
Bearings	Full Complement Bearing
Fluid:	All Weather Fluid
Working temperature	Minus 15°C to + 55°C
Fasteners	Universal screw pack for aluminum, hollow metal, and wood doors, includes self reaming and tapping screws. Sex nuts included.
Fast and easy installation	Template included
Finishes	ALUM (Aluminum), DURO (Duronotic)
Door Thickness	1-3/4" (44 mm) - standard
Warranty	5 years limited warranty



Fully Adjustable



Note: Mounting uses same hole pattern as LCN 4040 and LCN 4010 Door Closures. Does NOT come with universal plate

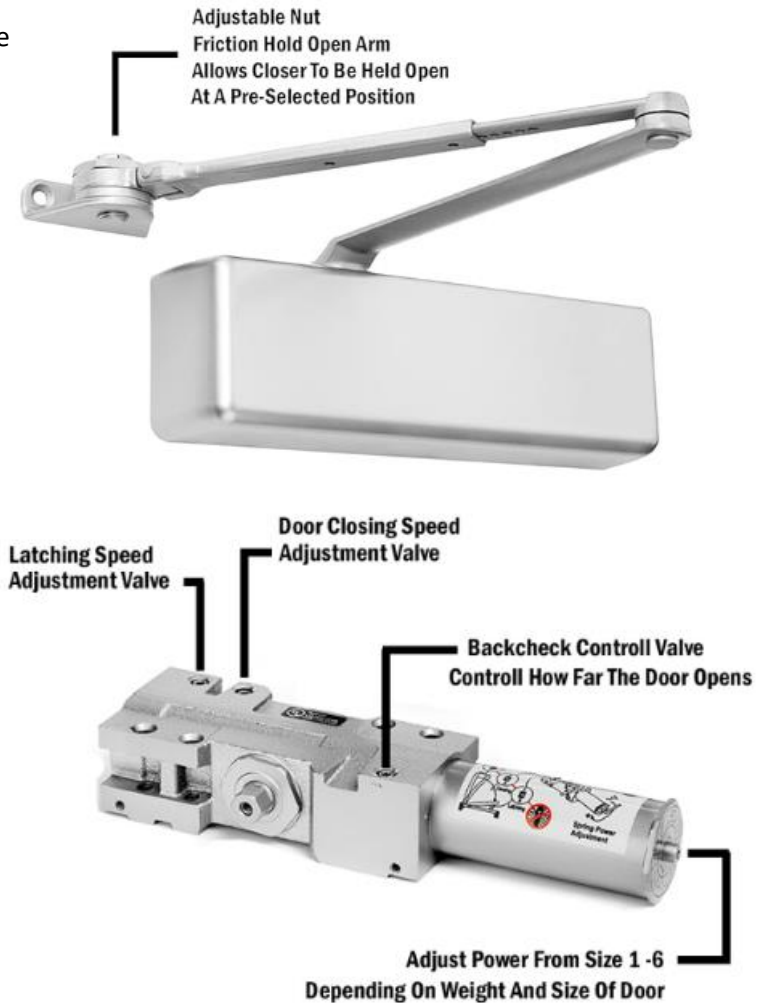


Door Closures

Surface Mounted Door Closure
DYN-4401-HO

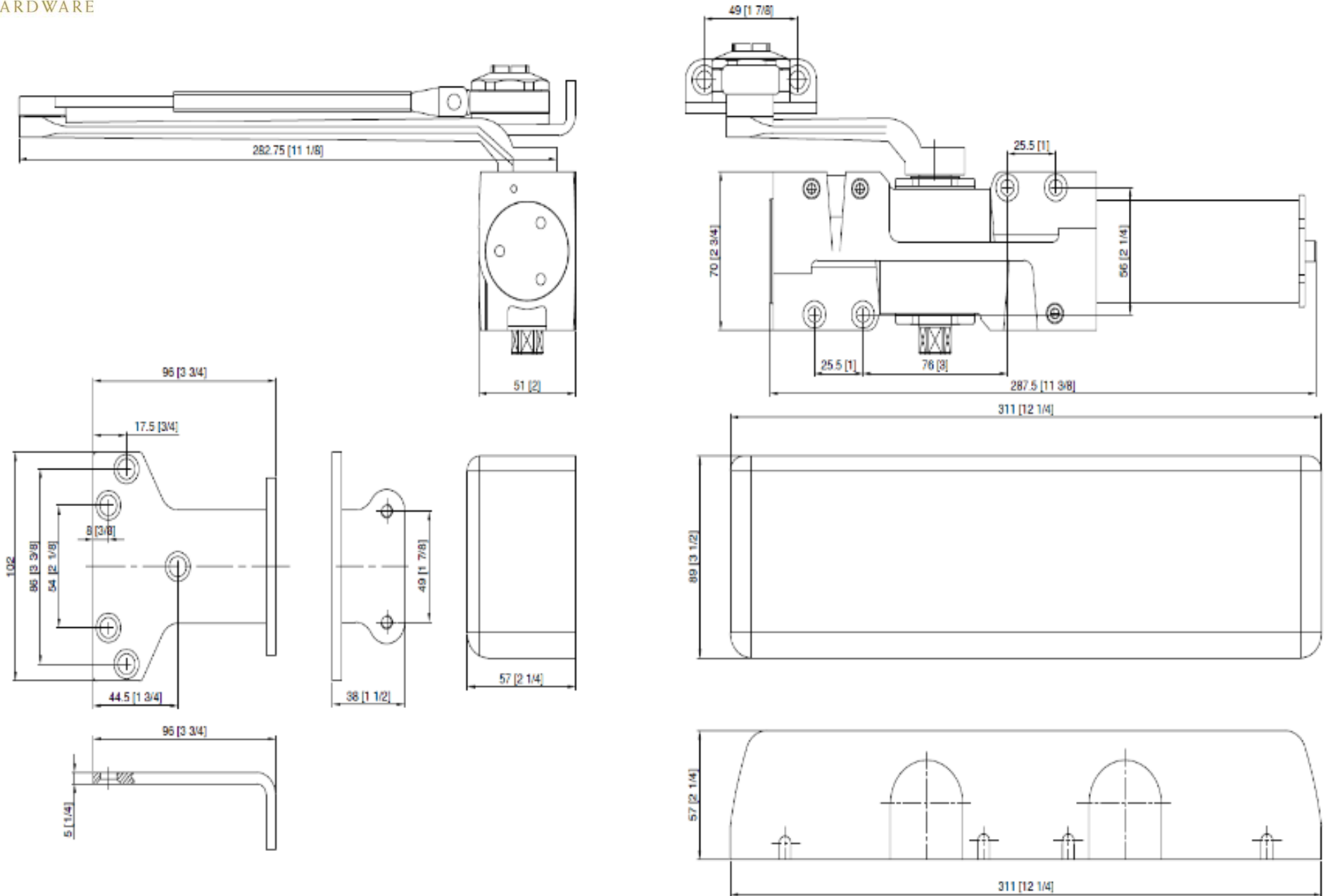
Dynasty Item #'s DYN-4401-HO-ALUM

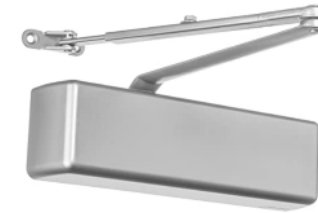
Applications	heavy duty closer designed for institutional and other demanding high traffic applications.
Certifications	ADA compliant-*Non-Compliant (requires professional installation) UL 228 UL 10C-Non Compliant
BHMA/ANSI A156.4 standard	Designed and tested at factory in compliance with Grade 1
Special note	Not used for a fire door due to mechanical hold open
Spring power	Adjustable size 1 to 6 (preset to 3)
Maximum Door Weight	40-240 lbs
Max Door Size	see installation instructions
Installation type:	Tri-Pack Arm (Regular, Top Jamb and Parallel with Parallel Arm Bracket)- Standard
Valves	Adjustable backcheck, sweep, and latching valves- standard All valves are staked
Handing	Non-handed
Materials of Closer body	Cast Iron
Materials of Closer arm	Forged steel for high traffic abuse
Materials of plastic cover	High-strength flame-retardant ABS
Springs	Double heat-treated, steel-tempered springs
Rack and Pinion	Double heat treated
Bearings	Full Complement Bearing
Fluid:	All Weather Fluid
Working temperature	Minus 15°C to + 55°C
Fasteners	Universal screw pack for aluminum, hollow metal, and wood doors, includes self reaming and tapping screws. Sex nuts included.
Fast and easy installation	Template included
Finishes	ALUM (Aluminum)
Door Thickness	1-3/4" (44 mm) - standard
Warranty	5 years limited warranty



Door Closures

Surface Mounted Door Closure
DYN-4401-HO





Click Links for full access to Instructions and Templates

Product	Assembly Instructions	Templates
DYN-8500	DYN-8500 Installation Instructions	DYN-8500 Parallel arm template DYN-8500 Regular arm template DYN-8500 Top Jamb template
DYN-8500-HO	DYN-8500-HO Installation Instructions	DYN-8500-HO Parallel arm template DYN-8500-HO Regular arm template DYN-8500-HO Top Jamb template
DYN-9000	DYN-9000 Installation Instructions	DYN-9000 Parallel arm template DYN-9000 Regular arm template DYN-9000 Top Jamb template
DYN-4401 DYN-4401-HO	DYN-4401 Installation Instructions	DYN-4401,4401-HO Parallel arm template DYN-4401,4401-HO Regular arm template DYN-4401,4401-HO Top Jamb template
DYN-2000	DYN-2000,3000,4000 Installation Instructions	DYN-2000,3000,4000 template
DYN-3000		
DYN-4000		
DYN-1614	DYN-1614,1636 Installation Instructions	DYN-1614,1636 Parallel arm template DYN-1614,1636 Regular arm template DYN-1614,1636 Top Jamb template
DYN-1636		