



Shown with AUS Style Lever

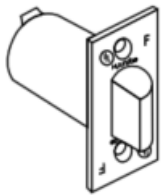
## Lever Assemblies

### Series – Function – Finish

<p>AUG-Augusta AUS-Austin SPA-Sparta</p>	<p>00-Office Door Keyed 03-Classroom Keyed 05-Storeroom Keyed 20-Privacy 30-Passage</p>	<p>26D-Satin Chrome 19-Flat Black 10B-Oil Rubbed Bronze</p>
--	---	---

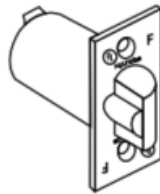
### Square Corner Latches

Springlatch



Used with privacy and passage sets for bath, bedroom and closets

Deadlatch



Used with all keyed entry locksets

## Backset Latches (2-3/8 sold separately)

### Series – Function – Backset – Finish – Pack

<p>AUG-Augusta AUS-Austin</p>	<p>DL-Deadlatch SL-Springlatch</p>	<p>2-3/8 2-3/4</p>	<p>26D-Satin Chrome 19-Flat Black 10B-Oil Rubbed Bronze</p>	<p>Blank-Single 2PK 3PK</p>
-----------------------------------	--	------------------------	---	-------------------------------------

**Notes:**

All Lever Assemblies come with 2-3/4" backset latches

AUS Latch Front: 2-1/4" x 1.00"

AUG Latch Front: 2-1/4" x 1-1/8"



# Commercial Door Levers

## AUS Series (Grade 3) Standard Duty Cylindrical Lever Locksets

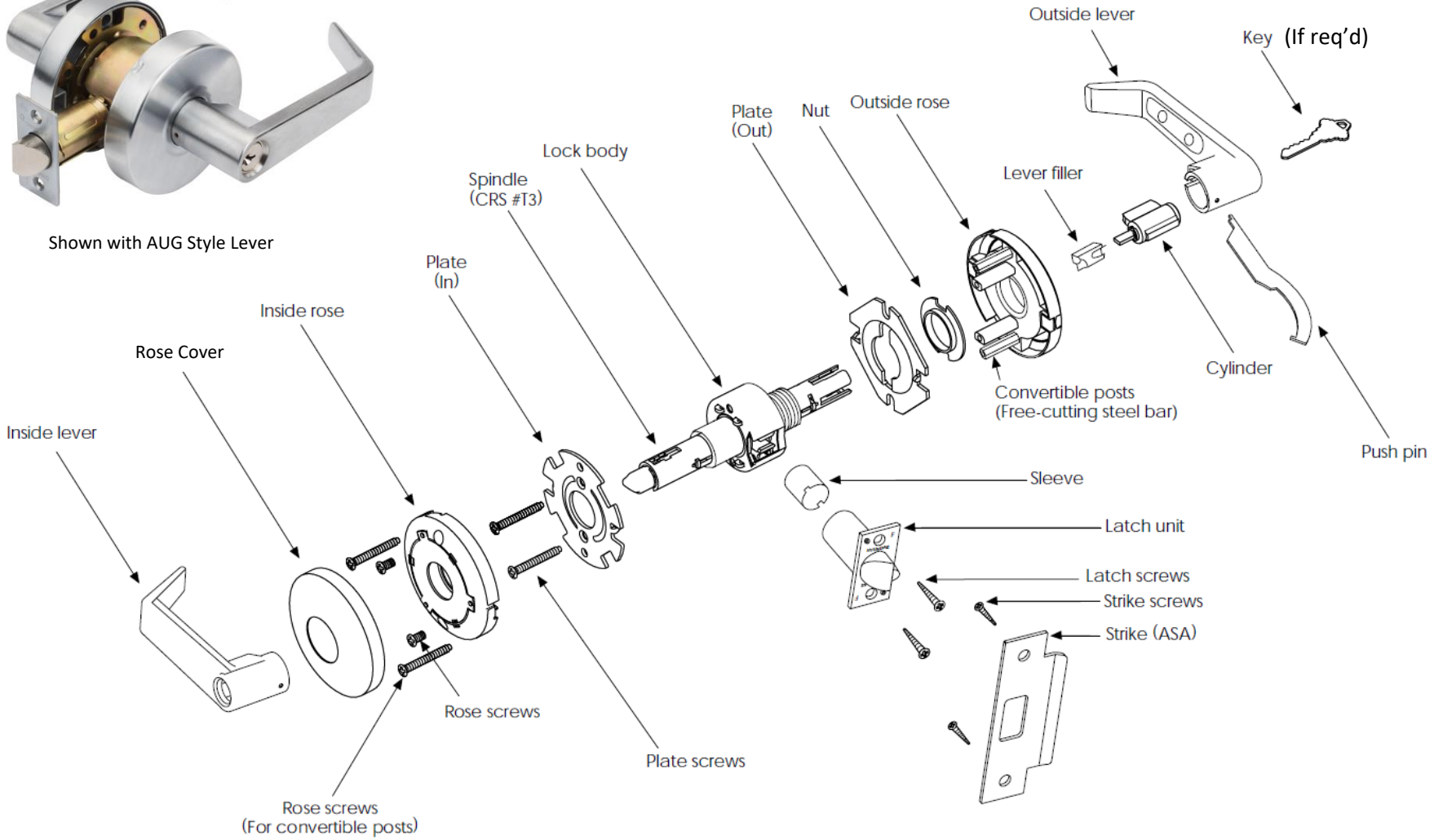
Applications	For interior offices, multi-family housing, restaurants, hotels, retail complexes
For Doors	1-3/8" (35mm) to 1-3/4" (45mm)
Backset	2-3/4" (70mm) standard (2-3/8" (60mm) purchase separately)
Latch Front	Brass, Bronze; 2-1/4" x 1.00" , Finish same as product
Strike	Brass, Bronze; ASA strike, Finish same as product
Roses	Brass or Bronze, Finish same as product
Hand	Universal, non-handed for "L" Levers
Latchbolt	Zinc, 7/16" throw, Finish same as product
Keys	Qty Two
Cylinder	Brass, Schlage "C" keyway standard, Plug Face Finish same as product
Masterkeying	Masterkeyed available upon request
Product Finish	See Mfg # code and page 7
Split Finishes	Outside finish specified first. Front & Strike finished to match inside trim unless otherwise specified
UL / cUL	Not Listed
Grade	Meets ANSI/BHMA A156.2 Grade 3 (200K cycles)
Fire Code	N/A
ADA Compliant	Designed to meet
Warranty	5 year limited mechanical warranty
Hardware Included	Push Pin tool, Latch Screws, Strike Screws, Latch Front Adaptor (Converts 1" wide faceplate to 1-1/8" wide)

## AUG/SPA Series (Grade 2) Medium Duty Cylindrical Lever Locksets

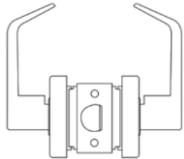
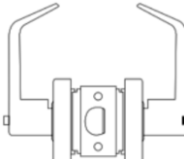
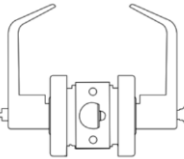
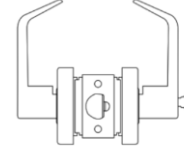
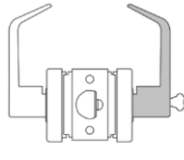
Applications	For offices, schools, hospitals, apartments, hotel / motel and other public buildings
For Doors	1-3/8" (35mm) to 1-3/4" (45mm)
Backset	2-3/4" (70mm) standard (2-3/8" (60mm) purchase separately)
Latch Front	Brass, Bronze; 2-1/4" x 1-1/8" , Finish same as product Reversible for Flat or Beveled Doors 1/8" in 2"
Strike	Brass, Bronze; ASA Strike, Finish same as product
Roses	Brass or Bronze. Finish same as product
Hand	Universal, non-handed for "L" and "R" Levers
Latchbolt	Brass, 1/2" throw standard, Finish same as product
Keys	Qty Two
Cylinder	Brass, Schlage "C" keyway standard, Plug Face Finish same as product
Masterkeying	Masterkeyed available upon request
Product Finish	See Mfg # code and page 7
Split Finishes	Outside finish specified first. Front & Strike finished to match inside trim unless otherwise specified
UL / cUL	US and Canada Listed for use on fire doors (3 hour rated)
Grade	Meets ANSI/BHMA A156.2 Grade 2 (400K cycles)
Fire Code	Meets UL10C
ADA Compliant	Designed to meet
Warranty	5 year limited mechanical warranty
Hardware Included	12-28UNFx9/32"L (must use if no thrubolts installed) 10-32UNFX1-3/8L (must use if thrubolts installed) Latch Screws, Strike Screws, Push Pin tool



Shown with AUG Style Lever



## Commercial Door Levers

Inside	Outside	Type	ANSI	Function Description
		30 Passage	F75	<ul style="list-style-type: none"> <li>Latch bolt retracted by lever either side</li> <li>Both levers always free</li> </ul>
		20 Privacy Bedroom/ Bathroom	F76	<ul style="list-style-type: none"> <li>Latch bolt retracted by lever either side</li> <li>Outside lever locked by pushbutton</li> <li>Outside lever unlocked by emergency release outside, rotating inside lever or by closing door.</li> </ul>
		00 Entrance/ Office	F81	<ul style="list-style-type: none"> <li>Deadlocking latch bolt retracted by either side</li> <li>Pushing turn button locks outside lever, requiring use of key outside to unlock</li> <li>Turning inside lever unlocks outside lever</li> <li>Pushing in and turning button locks outside lever, requiring key at all times. Turning inside lever does not unlock outside lever until button is manually turned to unlocked position.</li> </ul>
		03 Classroom	F84	<ul style="list-style-type: none"> <li>Deadlocking Latch bolt by lever either side</li> <li>Outside lever locked by key outside</li> <li>Inside lever always free</li> </ul>
		05 Storeroom	F86	<ul style="list-style-type: none"> <li>Deadlocking Latch bolt retracted by key in outside lever or by rotating inside lever</li> <li>Outside lever always rigid</li> <li>Inside lever always free</li> </ul>

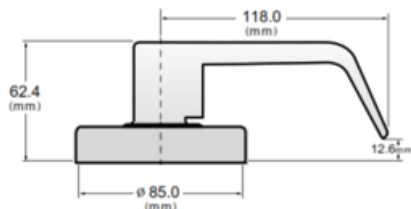
## Lever Types (Dims)

**Notes:**

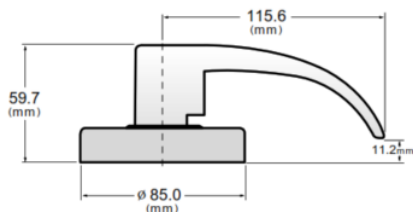
- Both Series “L” and “R” Levers complies with codes requiring lever to return to within ½” of door face.
- Handles shown with Roses

### AUG/SPA Series

#### AUG “L” lever

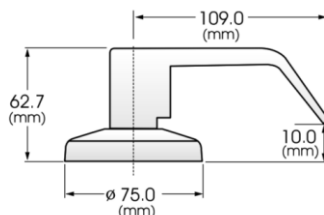


#### SPA “R” lever



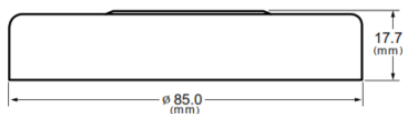
### AUS Series

#### “L” lever

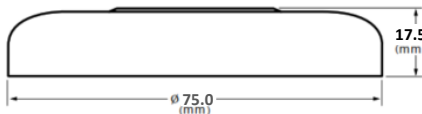


## Rose Types (Dims)

### Flat “F”



### Round “R”



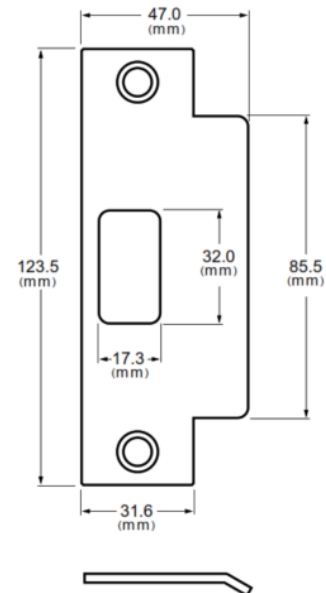
**Note:**

Lever Material: Pressure cast zinc. See Architectural code for finish

Rose Material: Wrought Brass or Bronze. See Architectural code for finish

## Strike Part No. ASA

(D-strike)



Note: Strike Material: Wrought Brass or Bronze. See Architectural code for finish

## Key System Terms

Keys and Terms	Abbreviation	Definition
Change Key	-	Individual lock key
Keyed Different	KD	Each lock is set to a different key combination
Keyed Alike	KA	Two or more locks set to the same key combination, KA2, KA3, KA4, etc
Masterkey	MK	Operates any given quantity of cylinders with different key changes



Cylinder w/ "C" Keyway  
Qty: 2 keys

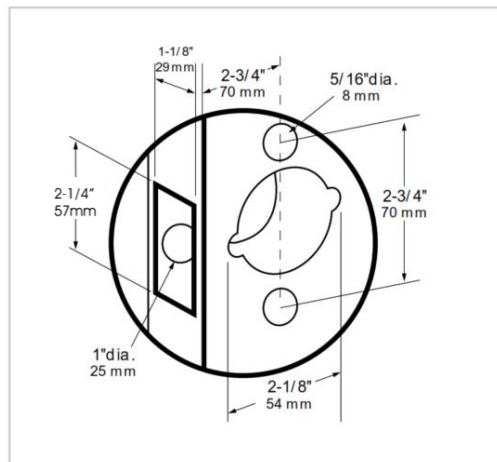
## Key Blank



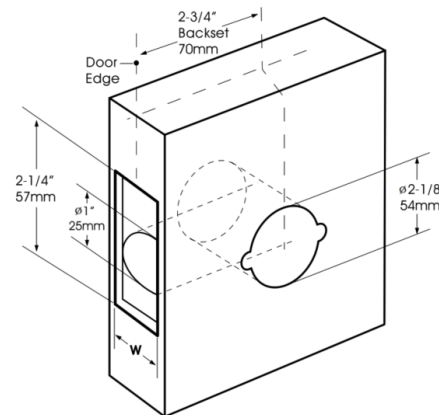
# Commercial Door Levers

## Door Preparation

If weather-stripping, acoustical materials or silencers are used on the door or frame, care must be taken in the installation so that it will not interfere with the ease in which the latch bolt enters the strike.



AUG/SPA cutout x K203-G2 strike  
Wide Front: 1-1/8" (29mm) x 2-1/4" (57mm)

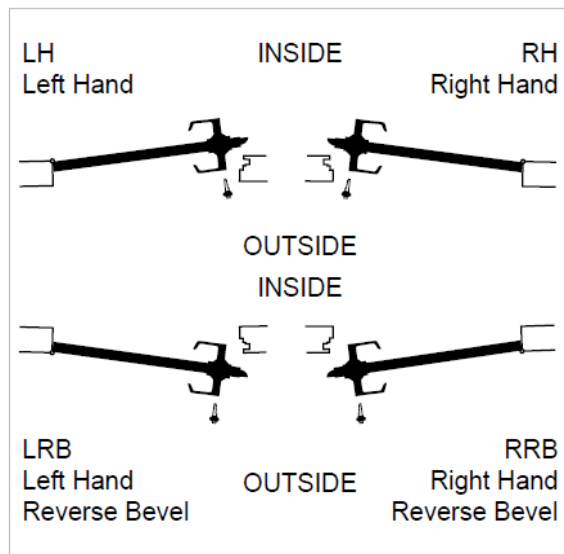


AUS cutout x K203-G3 strike  
Standard Front: 1" (25mm) x 2-1/4" (57mm)

## Door Handing (for ref only)

Note: All Dynasty Handles are non-handed aka bi-directional lever operation.

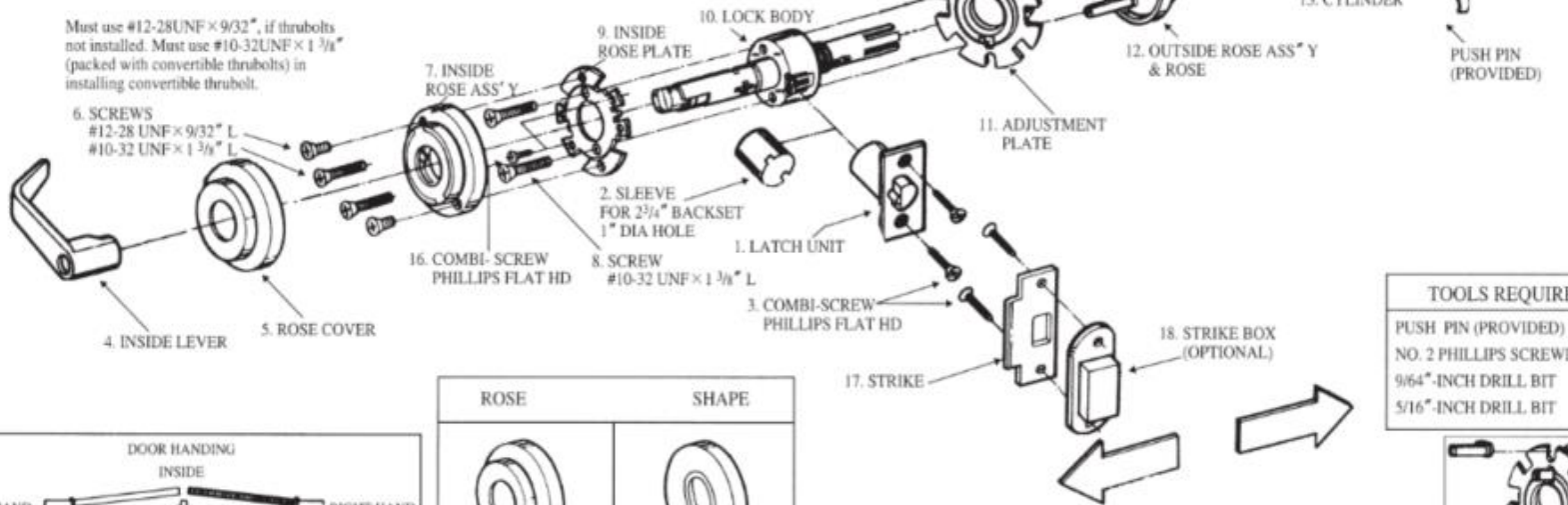
Hand information is necessary to ensure proper finish of latchbolt and strike for locks ordered that are to be installed on reverse bevel doors. Follow the diagram to correctly determine the hand of the door.



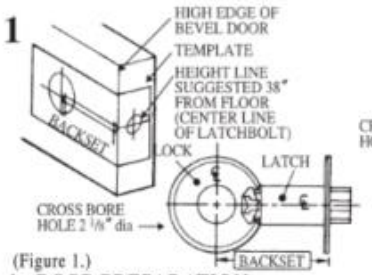
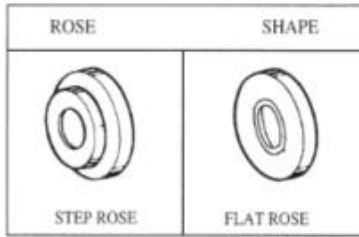
# INSTRUCTIONS FOR INSTALLING CONVERTIBLE THRUBOLT LEVER HANDLE SET

❖ THRUBOLTS ARE PROVIDED AND RECOMMENDED FOR USE ON HIGH FREQUENCY DOORS.

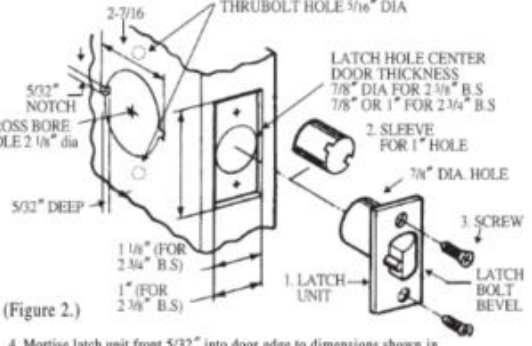
Must use #12-28UNF x 9/32" L, if thrubolts not installed. Must use #10-32UNF x 1 3/8" (packed with convertible thrubolt) in installing convertible thrubolt.



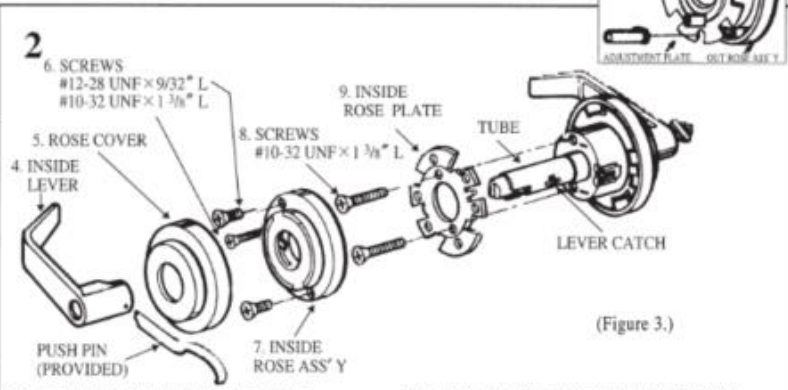
**TOOLS REQUIRED**  
 PUSH PIN (PROVIDED)  
 NO. 2 PHILLIPS SCREWDRIVER  
 9/64"-INCH DRILL BIT  
 5/16"-INCH DRILL BIT



- A. DOOR PREPARATION**
1. Check lock for proper backset and body outside stud bolt type before drilling.
  2. Place paper template (supplied) on door and mark for holes. Drill the cross-bore hole, and then the latchhole.  
 NOTE  
 Put in notches on 2 1/8" cross-bore hole for steel door (Refer to fig 2.)
  3. If using thrubolts, drill two 5/16" dia holes per template.



- (Figure 2.)**
4. Mortise latch unit from 5/32" into door edge to dimensions shown in fig. 2.
  5. Insert latch unit(1) with sleeve(2) if hole is 1" dia or without sleeve into 7/8" dia.
  6. Drill two 9/64" dia. Holes and secure latch unit with combi-screws(3) supplied.



- B-1. DISASSEMBLY OF LOCKSET UNIT (INSIDE)**
1. To remove inside lever(4), insert push pin (provided) into hole on lever to depress the lever catch. Slide the lever from the tube. Remove rose cover (5) by slightly twisting counter-clockwise and pulling off.
  2. Unscrew two #12-28UNF x 9/32" L(6) screws and remove inside rose ass'y(7).
  3. Unscrew two #10-32UNF x 1 3/8" L(8) screws and remove inside rose plate(9).

- B-2. INSTALL CONVERTIBLE THRUBOLTS.**  
 MAKE SURE INSTALL THRUBOLTS BEFORE LOCK INSTALLATION.
1. Disassemble inside lever, rose ass'y and rose plate
  2. Make clearance between adjustment plate and outside rose ass'y then insert the convertible thrubolts (provided 2pcs additionally) into the cavities for convertible thrubolts in the outside rose ass'y
  3. Continue lock installation per instructions. Replace adjustment plate.

❖ THRUBOLTS ARE PROVIDED AND RECOMMENDED FOR USE ON HIGH FREQUENCY DOORS.

**3**

**C. LOCK BODY ALIGNMENT & CENTERING**

The lock body must engage the latch unit (1) prongs as shown. The lock body retractor must engage the latch unit tail piece. Door must be opened when installing lockset with guarded latch unit.

**NOTE:**  
Be sure latch unit tail piece is centered within lock body retractor. Adjust it if necessary by adjustment plate (11) as shown in fig 10 and fig 11.

10. LOCK BODY  
LATCH UNIT  
1. LATCH UNIT  
TAIL PIECE

LOCK BODY RETRACTOR ON CENTER LINE OF LATCH UNIT TAIL PIECE

(Figure 4.)

**4**

**D. INSTALLATION OF LOCK UNIT**

1. With finger, depress the latch, extending the latch unit tail piece to aid in engaging the lock body retractor (see fig. 4)
2. Slide lock body into cross-bore hole from exterior of the door if necessary, move tail piece slightly to engage retractor as shown in fig. 4.

TUBE  
VIEW FOR FIG. 4  
THROBOLT HOLE

(Figure 5.)

**5**

9. INSIDE ROSE PLATE  
8. #10-32UNF x 1 3/8" L

(Figure 6.)

**E. SECURING THE LOCKSET UNIT TO DOOR.**

1. Place the inside rose plate (9). Tighten it to lock body with two #10-32UNF x 1 3/8" L screws (8)
2. Drill two 9/64" dia. holes and secure the rose using two combi-screws (16)

**THIS MUST BE DONE TO FIRMLY ANCHOR LOCK TO DOOR**

**6**

**F. ATTACHING INSIDE ROSE ASS'Y**

1. Position the inside rose ass'y's screw holes vertically with wider notch at inside diameter in line with lever catch.
2. If installing without throbolts, secure inside rose ass'y to inside rose plate with #12-28UNF x 9/32" L screws (6).
3. For ass'y using throbolts, tighten inside rose ass'y to outside studs using two #10-32UNF x 1-3/8" L screws.

7. INSIDE ROSE ASS'Y  
TUBE  
LOCATION OF WIDER NOTCH  
LEVER CATCH  
6. SCREW #12-28UNF x 9/32" L

(Figure 8.)

**7**

4. INSIDE LEVER  
5. ROSE COVER  
7. INSIDE ROSE ASS'Y  
RECESS FOR INSIDE ROSE LOCKING

(Figure 9.)

**G. INSIDE LEVER INSTALLATION**

1. Place rose cover (5) onto inside rose ass'y aligning two lances with recesses in rose ass'y and turn clockwise to lock as firmly as possible.
2. Slide inside lever (4) onto tube. Make certain lever catch on tube is engaged with lever.

**8**

11. ADJUSTMENT PLATE  
TUBE  
LEVER CATCH  
12. OUTSIDE ROSE ASS'Y & ROSE  
13. OUTSIDE LEVER  
14. KEY  
PUSH PIN (PROVIDED)

(Figure 10.)

**H. TO REMOVE OUTSIDE LEVER & ROSE**

1. To remove outside lever (13) insert key (14) and turn 45° clockwise. Insert push pin into hole on lever to depress lever catch. Slide the lever (13) from tube.
2. Remove outside rose ass'y & rose (12)

**NOTE:**  
This step must be done if you have make adjustment for door thickness (See note in fig. 4 & fig 11.)

**9**

ADJUST TO 9/64" L FOR 1-3/8" THICKNESS OF DOOR  
HOUSING  
11. ADJUSTMENT PLATE  
ADJUST TO 11/32" FOR 1-3/4" THICKNESS OF DOOR

**I. ADJUSTMENT FOR DOOR THICKNESS**

It can be adjusted for door thickness range from 1 3/8" to 1 3/4". For adjustment of door thickness, follow step 8, then :

1. Adjust adjustment plate (11) for proper door thickness. At final position, the screw post holes must be in line with holes in lock body.
2. Slide outside rose ass'y with rose cover (12) onto tube with the wider notch at inside diameter in line with lever catch. The screw posts will enter the holes pre-aligned between adjustment plate (11) and lock body.
3. Install outside lever by reversing procedure shown in fig. 10.

(Figure 11.)

**10**

18. STRIKE BOX (OPTIONAL)  
17. STRIKE  
3. SCREW

(Figure 12.)

**J. INSTALLING STRIKE**

When strike box (18) is not used, recess in door jamb must be deep enough to allow latch bolt to extend to its full free length.

**11**

13. OUTSIDE LEVER  
SHELF  
15. CYLINDER  
19. LEVER FILLER  
14. KEY

(Figure 13.)

**K. CYLINDER REMOVAL & REASSEMBLY**

1. Remove outside lever (13) and cylinder (15) as described in fig. 10.
2. To reassemble, put a cylinder and key in lever. Push cylinder further in until it engages retractor. Turn key 90° clockwise and hold a key. Depress lever catch and push lever (Not key) in until it clicks then release a key.

HDP-0901/08

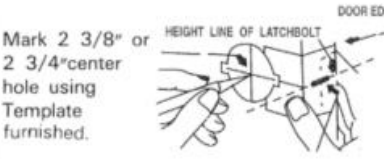
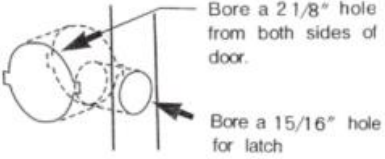
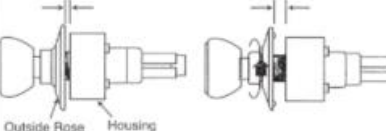

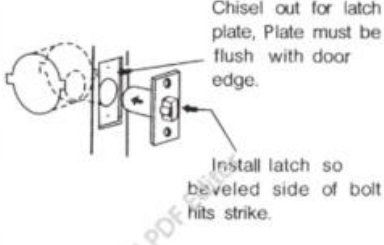

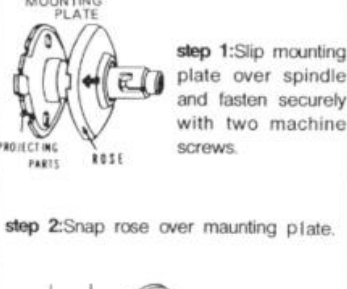
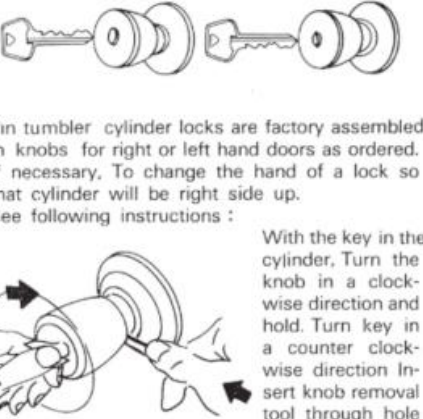
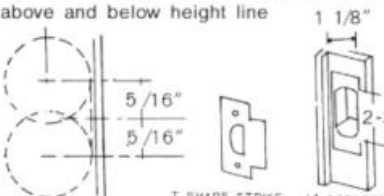
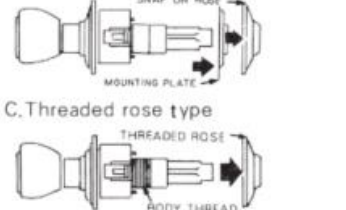
LEVER HANDLE SET IS PRESET FOR 1 3/4" DOOR AT FACTORY

# HOW TO INSTALL YOUR NEW CYLINDRICAL LOCK.

**NEW LOCK INSTALLATION:** Follow steps 1 through 4 to prepare door and frame.

Doors thicker than 1 7/8" require special locks.

**REPLACE AN EXISTING LOCK:** Use card board template and latchbolt to check sizes of existing holes. Enlarge if necessary with wood rasp or similar tool. Use existing strike when possible

<p><b>1. MARK DOOR</b> Mark heightline of latchbolt on edge of door. Suggested height from floor 38" Mark 2 3/8" or 2 3/4" center hole using Template furnished.</p> 	<p><b>2. BORE TWO HOLES</b> Bore a 2 1/8" hole from both sides of door. Bore a 15/16" hole for latch</p>  <p>Tools: 2 1/8" 15/16" bits, hand brace or power drill hammer, wood chisel, phillips screw driver. For easier preparation, check with dealer on availability of other installation tools.</p>	<p><b>6. ADJUST ROSE</b> Rotate outside rose in or out depending on door thickness. Rotate rose 1/8" short of housing for 1 3/8" thick door. Rotate out to 3/8" for 1 3/4" door.</p> 	<p><b>7. INTERLOCK UNITS</b> Latch unit must be in place before installing lock. Be sure lock housing engages with latch prongs and retractor interlocks with latch bar. Caution do not attempt to mount lock unit with door closed For proper installation, Deadlocking plunger on latchbolt must stop against strike, Preventing forcing When door is closed</p> 
<p><b>3. INSTALL LATCH</b> ● STANDARD LATCH Chisel out for latch plate, Plate must be flush with door edge. Install latch so beveled side of bolt hits strike.</p> 	<p><b>5. REMOVE INSIDE TRIM</b> Depress knob catch with knob removal tool provided, Push knob outward (Fig A) when you feel pressure on the tool, Remove it and slide the knob off of the spindle.</p>  <p>Remove of rose and mounting plate</p>	<p><b>8. ATTACH TRIM AND ROSE</b> step 1: Slip mounting plate over spindle and fasten securely with two machine screws. step 2: Snap rose over mounting plate.</p> 	<p><b>9. PROPER KEY POSITION.</b> RIGHT WAY      WRONG WAY Pin tumbler cylinder locks are factory assembled in knobs for right or left hand doors as ordered. If necessary, To change the hand of a lock so that cylinder will be right side up. See following instructions: With the key in the cylinder, Turn the knob in a clockwise direction and hold. Turn key in a counter clockwise direction Insert knob removal tool through hole in knob hub and Depress knob catch, then pull off knob. Simply turn knob over and with key partly removed from cylinder, replace on spindle. Slide knob up to knob catch to align a knob catch hole. Turn knob in a clockwise direction and key in a counter clockwise direction and hold key, Depress knob catch and push knob into position until it clicks.</p> 
<p><b>4. INSTALL STRIKE</b> Mark vertical line and height line on frame exactly oppsite center point of latch bolt For T STRIKE: bore two 15/16" holes. 11/16" deep in frame on vertical line 5/16" above and below height line</p> 	<p>Fig B. snap on rose type Fig C. Threaded rose type</p> 	<p>step 3: Slide knob all the way onto spindle till catch engages in the slot.</p> 