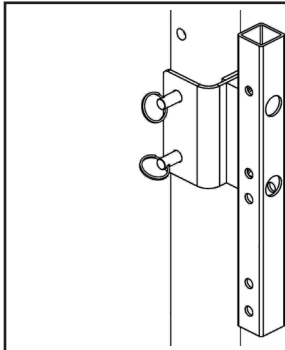


Davit Device Receiver Bracket Installation

65106M

User Instruction Manual



DESCRIPTION:

Allows for quick mounting of Miller winches and 3-Way/SRL-Rs onto the Falltech Confined Space Davit Arm.

⚠ WARNING

All manufacturer's instructions, labels and warnings must be read before use and followed at all times for proper use, maintenance and inspection. Please see FallTech manual MCS30 for Davit System instructions and requirements.

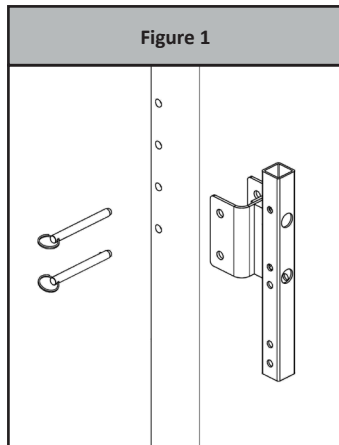


Figure 1

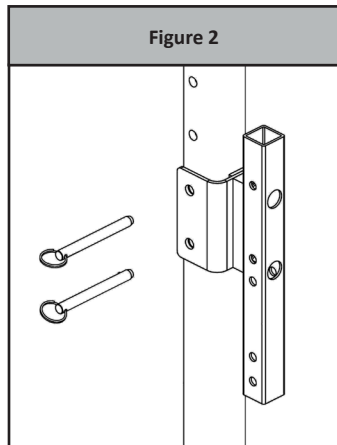


Figure 2

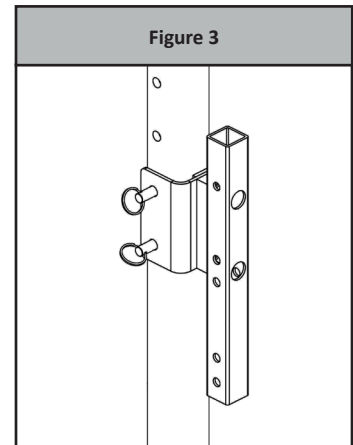


Figure 3

1. Remove the two pins from the black side of the Davit Device Receiver Bracket as shown in Figure 1.
2. Place the black side of the Davit Device Receiver Bracket around the Confined Space Davit arm or mast and align the holes as shown in Figure 2. (See Figures 4 & 5 for correct and incorrect mounting locations)
3. Insert both pins ensuring that they go through both sides of the Davit Device Receiver Bracket as shown in Figure 3.

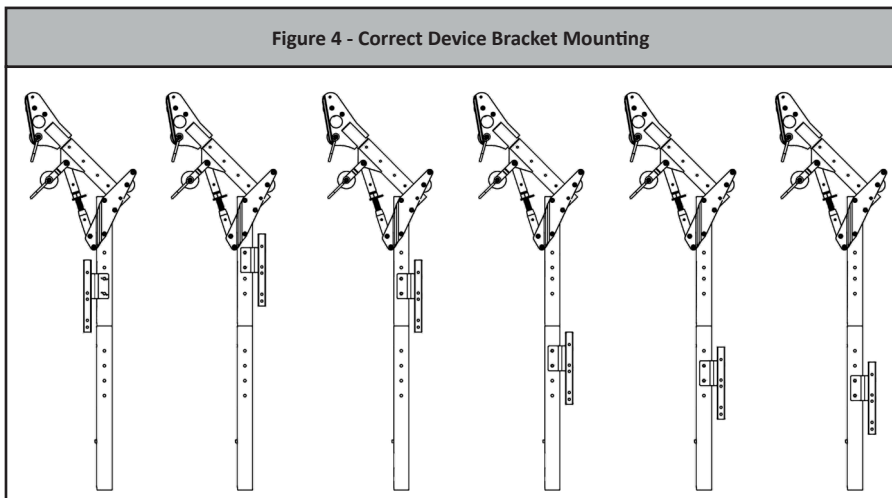


Figure 4 - Correct Device Bracket Mounting

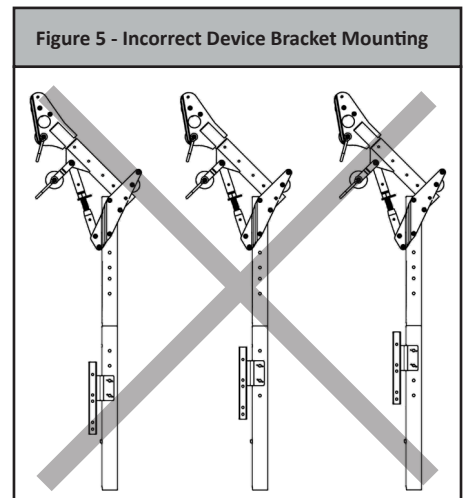


Figure 5 - Incorrect Device Bracket Mounting

This manual is for the Davit Device Receiver Bracket installation purposes only. Please see MCS30 for all Davit System instructions and requirements.