

MOTORIZED TABLES



AIDA

#14600-03

TouchAmerica's newest design, the **AIDA**, is a sleek, fully-motorized treatment table made of solid oak with a protective polyurethane finish. The adjustable dual pedestals allow you to raise and lower the top and bottom of the table independently to achieve a zero-gravity position, a fully flat position for facials, and any position in between. The arms raise and lower in tandem with the position of the bed for your client's comfort. The motors are controlled with a hand-held control panel, and there is plenty of space in the base to stow all your treatment materials. Everything is wrapped in an ultra-contemporary style that will complement almost any spa décor.

Luxe 4" foam upholstery is available in a versatile, neutral pearl color. Face cradle and armrest included with table.

STANDARD BASE COLOR:



OAK

STANDARD VINYL COLOR:



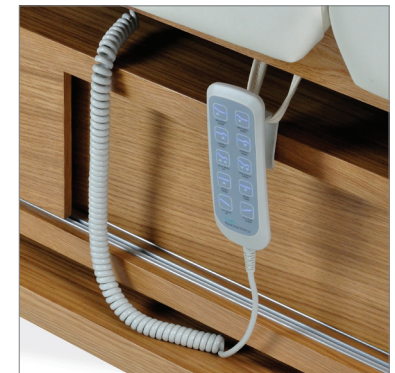
PEARL



Pedestals can be operated separately to offer zero gravity positioning.



Sleek design in beautiful oak wood



Hand-held power lift control

TOP:

Top design	Four Piece articulating top
Top Size	78"x 31"
Foam	4"
Polyester batting	.5"
Frame	Wood & Steel
Adjustments	Electrical worm gear actuators
Back tilt angle	0 to 67°
Leg tilt angle	0 to 27°

BASE & FRAME:

Base	Modern design solid oak with clear PU finish. Double independently controlled lift
Lift:	Pedestal lift design allows table to tilt.
Cabinet	Comes standard with sliding doors
Cabinet interior dimensions	7.5"H x 55"L x 17.9"W
Height range	26" to 36"
Lifting weight	650 lbs
Weight capacity	850 lbs

MOTORS & CONTROLS:

Knee and Back motors	Two 24v DC, 5 amp max motor/actuators, powered through 110v, 5 amp transformer
Base lift motor	Two 24v DC, 5 amp max motor/actuators, powered through 110v, 5 amp transformer Also available with an optional, rechargeable battery.
Controls	Hand Control 8 button

UPHOLSTERY:

Type	Lightly textured PU vinyl
Color	Pearl

ACCESSORIES:

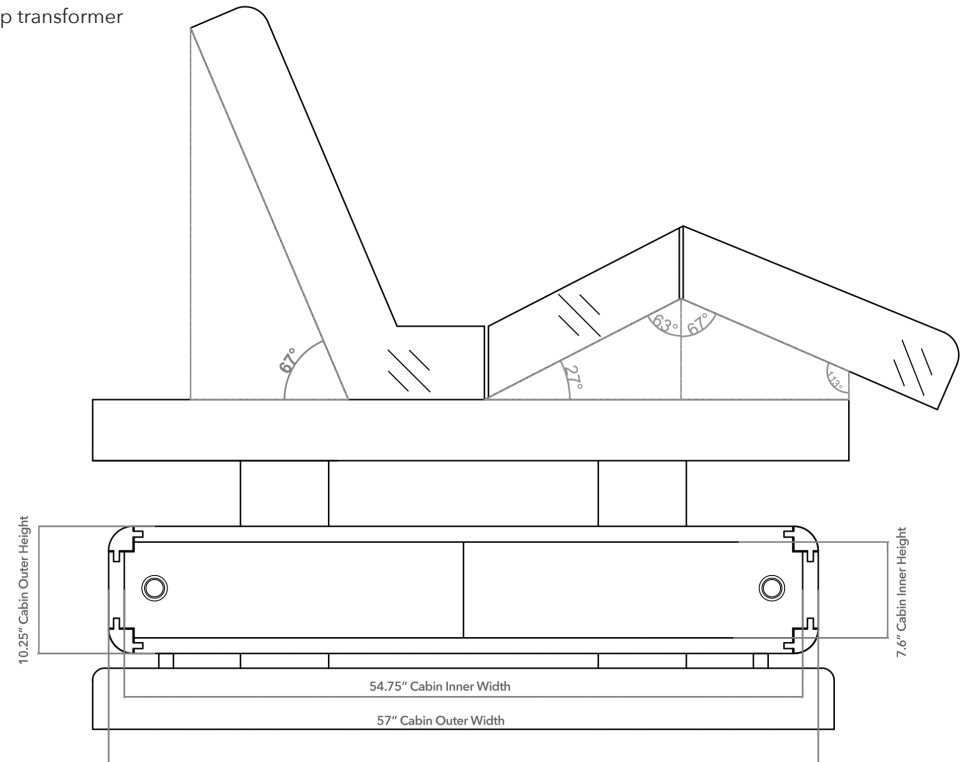
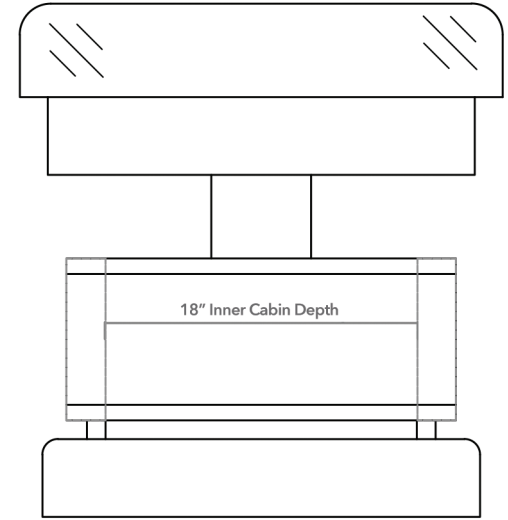
Sidearms	Included w/purchase of table
Face support	Included w/purchase of table

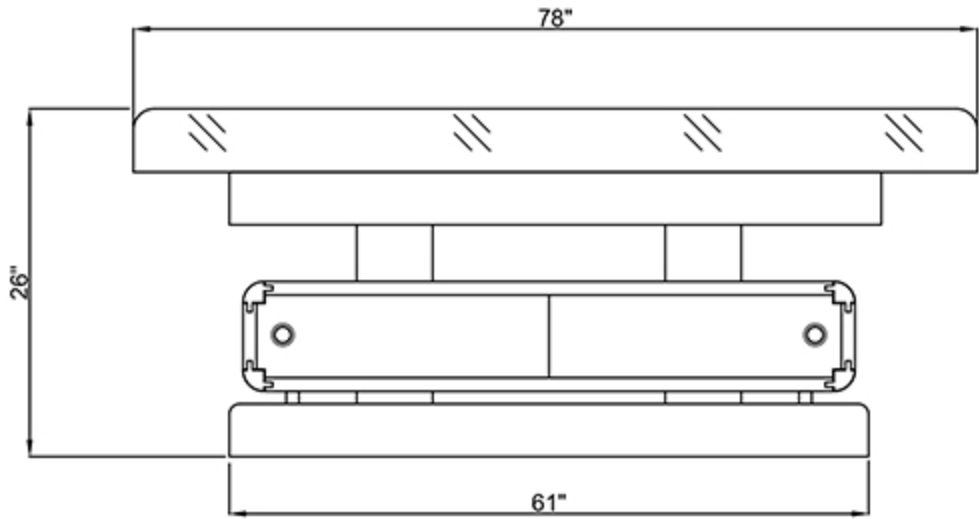
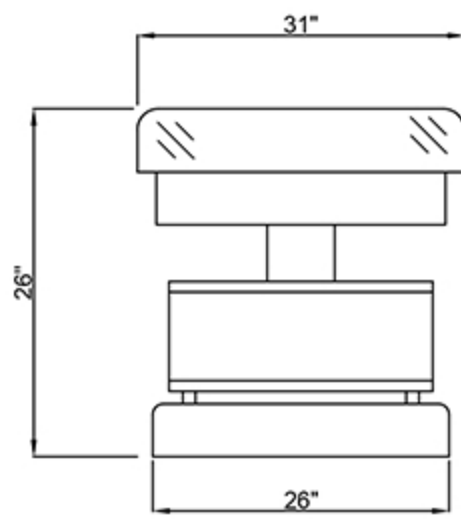
GUARANTEES:

Structure	10 years on replacement parts for frame/structure and 1 yr. labor**
Vinyl & foam	1 year. Only use lukewarm water and mild soap to clean the vinyl and no harsh chemicals, or alcohol-based sanitisers. Fire-retardant grade, lead and cadmium-free semi-PU vinyl.
Motor & controls	2 years
Labor	1 year **Labor warranty for customers in USA only **

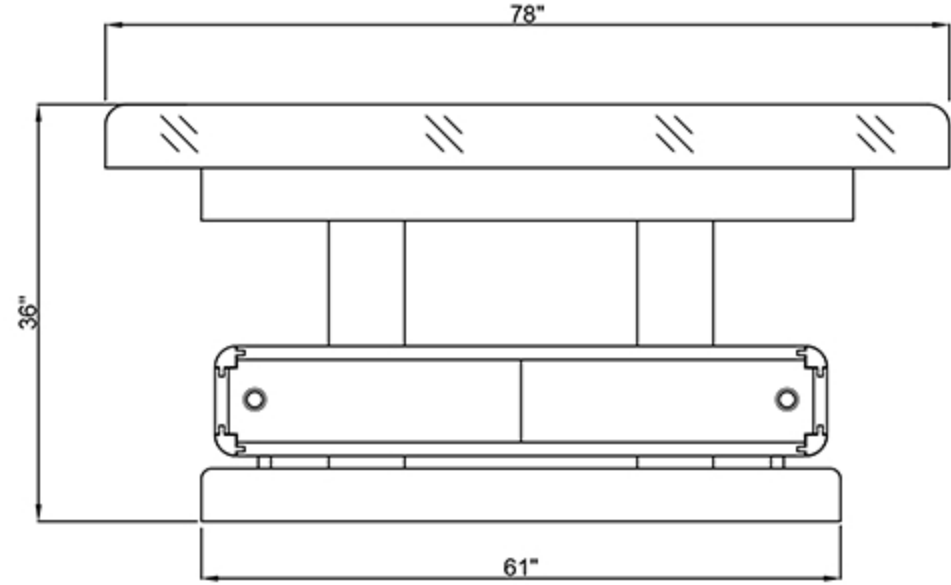
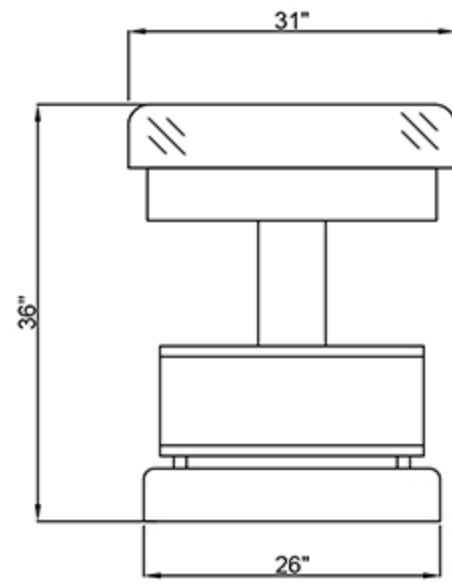
WEIGHTS:

Table weight	270 lbs
Shipping weight - boxed	425 lbs
Shipping Dimensions	82"L x 34"W x 30"H





MINIMUM HEIGHT



MAXIMUM HEIGHT