

USER MANUAL

OAKWORKS®

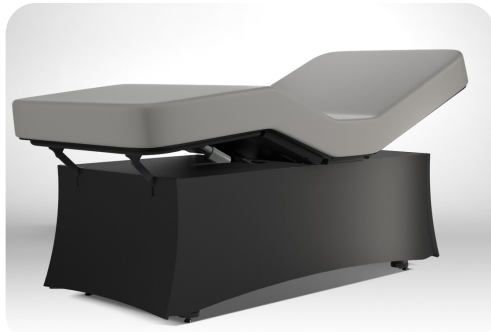
Masters' Collection Tables



Icon



Talise



Maia



Palas



Britta

Printed in U.S.A.

All rights are reserved. No part of this document may be photocopied, reproduced or translated to another language without prior written consent of OAKWORKS®, Inc.

OAKWORKS® is a registered trademark of OAKWORKS®, Inc.

Notice

The information contained within this document is subject to change without notice and should not be construed as a commitment by OAKWORKS®, Inc.

OAKWORKS®, Inc. encourages requests for technical specifications and the like documentation to ensure accuracy. The appropriate documentation is available upon request.

OAKWORKS®, Inc. shall not be liable for incidental or consequential damages in connection with or arising out of the furnishing, performance, or use of this document and the program material which it describes.

TABLE OF CONTENTS

- Product Use Description 1
- Important Safety Instructions
 - Symbol Identification 1
 - Important Safety Instructions 2-3
- Installation
 - Grounding 4
- Product Description & Photo
 - 4 Leg Tables
 - Icon - IC 5
 - Maia - MI 6
 - Control Operation - 4 Leg Tables 7-8
 - 2 Column Tables
 - Talise - TA 9
 - Control Operation - Talise Tables 10-11
 - Palas - PA 12
 - Britta - BT 13
 - Control Operation - Britta & Palas Tables 14-15
- Directions for Use
 - Moving the table 16
 - Removing Top Pad 17
 - Adjustable Breast Comfort (ABC) System Use (Option) 18
 - Integrated Fuzion Top (Option) 19
 - QuickLock Face Rest (Accessory Option) 20
 - Boiance Shelf Support (Accessory Option) 21
- Cleaning & Disinfection
 - Recommended Cleaners/Disinfectants 22
 - Cleaning Procedure 22
- Inspections 23
- Warranty Information 23
- Model Number & Serial Number
 - Product Label Location 23
- Table Dimensions 24-25
- Specifications
 - Product Specifications 26
 - Environmental Conditions 26
 - Electrical Specifications 26
- Product Disposal 26
- Contact Information back cover

PRODUCT USE DESCRIPTION / SYMBOL IDENTIFICATION

PRODUCT USE DESCRIPTION

The product is a cord connected spa/massage table for commercial use. It is intended for indoor use. Maximum weight capacity of 500 lbs.

The product is intended to be used by trained professionals in a controlled environment. A review of the following Safety Instructions is important for the safety of the operator and client. Read all instructions and understand this entire user manual before using the product. There are no known contraindications to the use of this equipment.

The table should not be used in any other manner than that described within this manual. Use of any unnecessary force or unauthorized procedures could result in injury to practitioner, client or equipment.

SYMBOL IDENTIFICATION



This symbol, when used in this manual and on product labels, represents a caution warning. Be sure to read and comply with all precautions and warnings.



This symbol, when used in this manual and on product labels, warns against an electrical shock hazard. Be sure to observe and comply with all warnings.



This symbol, when used in this manual or on product labels, indicates a Protective Earth (Ground) Terminal.



This symbol, when used in this manual and on product labels, indicates the name and address of the manufacturer.



This symbol, when used in this manual or on product labels, indicates the country of manufacture along with date of manufacture of the device next to it.



This symbol, when used in this manual or on product labels, indicates alternating current (AC).



This symbol, when used in this manual or on product labels, indicates direct current (DC).



This symbol is used to indicate that the operator should consult the user manual.



This symbol indicates that when the end-user wishes to discard this product, it must be sent to separate collection facilities for recovery and recycling.

IMPORTANT SAFETY INSTRUCTIONS

IMPORTANT SAFETY INSTRUCTIONS

When using an electrical furnishing, basic precautions should always be followed, including the following:



DANGER

READ AND SAVE THESE INSTRUCTIONS

To reduce risk of electric shock:

1. Always unplug this furnishing from the electrical outlet before cleaning.
2. Connect this furnishing to a properly grounded outlet only. See Grounding Instructions in this manual.

Electrical Shock Hazard - The power supply/control module is located on the lift frame. No user serviceable parts are inside. Refer servicing to qualified personnel. Unplug wall plug prior to contact with any cables connected to the power supply.



WARNING

To reduce the risk of burns, fire, electric shock or injury to persons:

1. Unplug from outlet before adding or removing parts.
2. Never operate this furnishing if it has a damaged cord or plug, if it is not working properly, if it has been dropped or damaged, or dropped into water. Contact Oakworks Customer Service before use at 717.235.6807.
3. Keep the cord away from heated surfaces.
4. Never drop or insert any object into any opening.
5. Do not use outdoors.
6. Use this furnishing only for its intended use as described in these instructions. Do not use attachments not recommended by the manufacturer.
7. To disconnect, turn all controls to the off position, then remove plug from outlet.
8. Improper connection of the equipment-grounding conductor can result in a risk of electric shock. Check with a qualified electrician or service person if you are in doubt as to whether the product is properly grounded.
9. Do not modify the plug provided with the product - if it will not fit the outlet; have a proper outlet installed by a qualified electrician.



WARNING

- Risk of Injury - 500 lbs. (227 kg.) maximum load.
- Risk of Injury - Do not operate this equipment unless properly trained.
- Close supervision is necessary when this furnishing is used by, or near children, invalids, or disabled persons.
- This unit is For Commercial Use Only and to be operated only by trained personnel.
- Lifting & Top motion electric motors are rated at 10% duty cycle max. (2 minutes on, 18 minutes off)



PINCH HAZARD

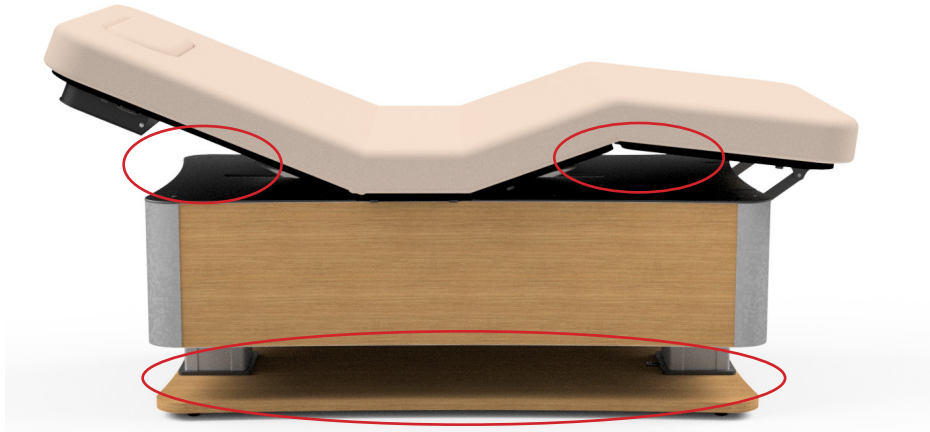
- Keep hands, feet and controls away from the table while making adjustments.
- Risk of Injury - Not to be used in locations where children or people with cognitive disabilities are anticipated to be present.
- Risk of Injury - Children should NEVER be near the table when in use.

IMPORTANT SAFETY INSTRUCTIONS

IMPORTANT SAFETY INSTRUCTIONS

ENTRAPMENT

- Risk of Injury - The picture below indicate areas of entrapment that can occur when operating this equipment. It is the responsibility of the operator to ensure that bystanders are not in or around these areas during operation.



CAUTION

- The use of accessories, transducers, and cables other than those specified by the manufacturer, may result in increased emissions or decreased immunity of the table.
- The table should not be used adjacent to or stacked with other equipment. If adjacent or stacked use is necessary, the table should be observed to verify normal operation in the configuration in which it will be used.
- The table is designed to be a stand-alone table. This table must not be modified or incorporated into any other equipment.
- Proper operation of this equipment is very important for the safety of the operator, client, and any other individuals in the area of this equipment. Directions for use of this equipment are described in this manual. The operator should read these sections carefully.
- Weight Limit: (client and accessories) 500 lbs. (227 kg.) Do not exceed.
- Adjustable Breast Comfort (ABC) System Weight Limit: 100 lbs. (45 kg.)
- Do not sit on the ABC System. Only use the ABC System as intended. Do not place foreign objects into the ABC System. For safety of your client, use a cloth sheet between the ABC System and your client.
- Be certain that the table is completely lowered without any tilt being present prior to discharging an ambulatory client. The client may lose balance and fall.
- When lowering the table, make sure there is nothing underneath the tabletop that can impede motion (like stools, cabinets, accessory parts, cleaners, etc.) When using the table Height Up function, do not place anything between the metal frame and the base structure. Damage can occur to the table.
- Do not sit on backrest or footrest sections.
- Before moving any of the tables, disconnect the power cord from the power outlet.
- The table weighs as much as 475 lbs. (216 kg.)
- Do not lift table by the tabletop pad. This can damage the removable pad. Use extreme caution when lifting the table to move it. 4 people are required to move the table safely.
- Do not use the table to transport a client.

INSTALLATION

The tables come completely assembled and ready to use. Plug the cord into a functioning outlet that is rated for the table. (See Grounding below)

Arrange the power cord and control cords so that they will not create a tripping hazard.

Be sure access to the plug is not blocked for disconnecting the table from power.

GROUNDING

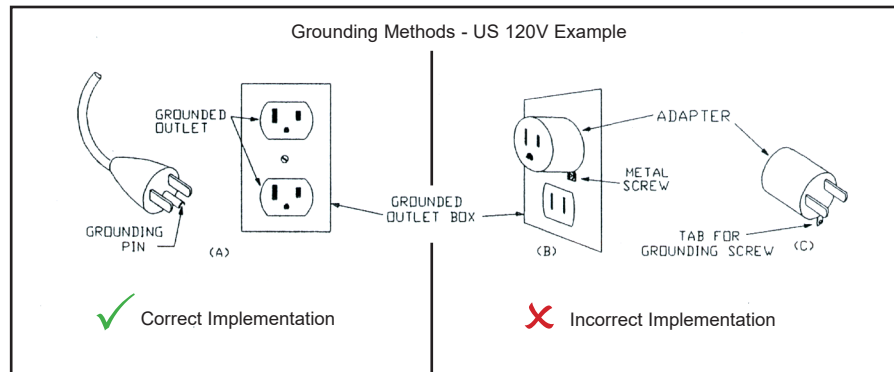


DANGER

Risk of Electric Shock - Connect this furnishing to a properly grounded outlet only.

GROUNDING FOR 120 VOLT PRODUCTS:

This product is for use on a nominal 120-volt circuit and has a grounding plug that looks like the plug shown below. See Grounding Methods - US 120V Example. Make sure that the product is connected to an outlet having the same configuration as the plug. No adapter should be used with this product.



GROUNDING FOR 230 VOLT PRODUCTS:

This product is rated for less than 15 amperes and is for use on a circuit having a nominal rating of 230 volts and is factory-equipped with specific electric plug to permit connection to a proper circuit. Make sure that the product is connected to an outlet having the same configuration as the plug. No adapter should be used.



WARNING

1. Improper connection of the equipment-grounding conductor can result in a risk of electric shock. Check with a qualified electrician or service person if you are in doubt as to whether the product is properly grounded.
2. Do not modify the plug provided with the product - if it will not fit the outlet; have a proper outlet installed by a qualified electrician.

PRODUCT DESCRIPTION - 4 LEG TABLES

Icon - IC



STANDARD SPECIFICATIONS			
3 Motions	1) Powered 25-35" (64-89 cm.) Height (with 4" foam)	Hand Control	All powered motions and Memory Positions
	2) Powered 0-80° Backrest	Foot Control	All powered motions
	3) Powered 0-30° Thigh / 0-19° Footrest		
Table Capacity	500 lbs. (227 kg.) (client and accessories)	Padding	4" (10 cm.) or 6" (15 cm.) AeroLux Foam
OPTIONS / ACCESSORIES			
Integrated Heated Top		120V or 230V External Outlets	
2nd Hand Control (with Memory Positions)		2nd Foot Control	
SoVi System		Boiance Shelf Support	

For electrical specs, see Specifications section.

PRODUCT DESCRIPTION - 4 LEG TABLES

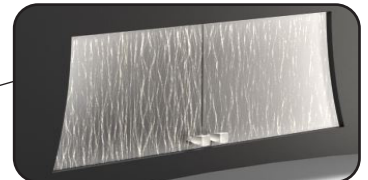
Maia - MI



ABC MODEL



STORAGE MODEL



Storage Door Opening: 24"W x 10"H
Storage Cabinet: 41"L x 24"D x 11"H
Storage Load Capacity: 75 lbs.

WARMING DRAWER MODEL



Warming Drawer: 19"D x 17"W x 3"H
Warming Drawer Capacity: 16L

STANDARD SPECIFICATIONS

3 Motions	1) Powered 25-35" (64-89 cm.) Height (with 4" foam)	Hand Control	All powered motions and Memory Positions
	2) Powered 0-80° Backrest	Foot Control	All powered motions
	3) Powered 0-30° Thigh / 0-19° Footrest		
Table Capacity	500 lbs. (227 kg.) (client and accessories)	Padding	4" (10 cm.) or 6" (15 cm.) AeroLux Foam

OPTIONS / ACCESSORIES

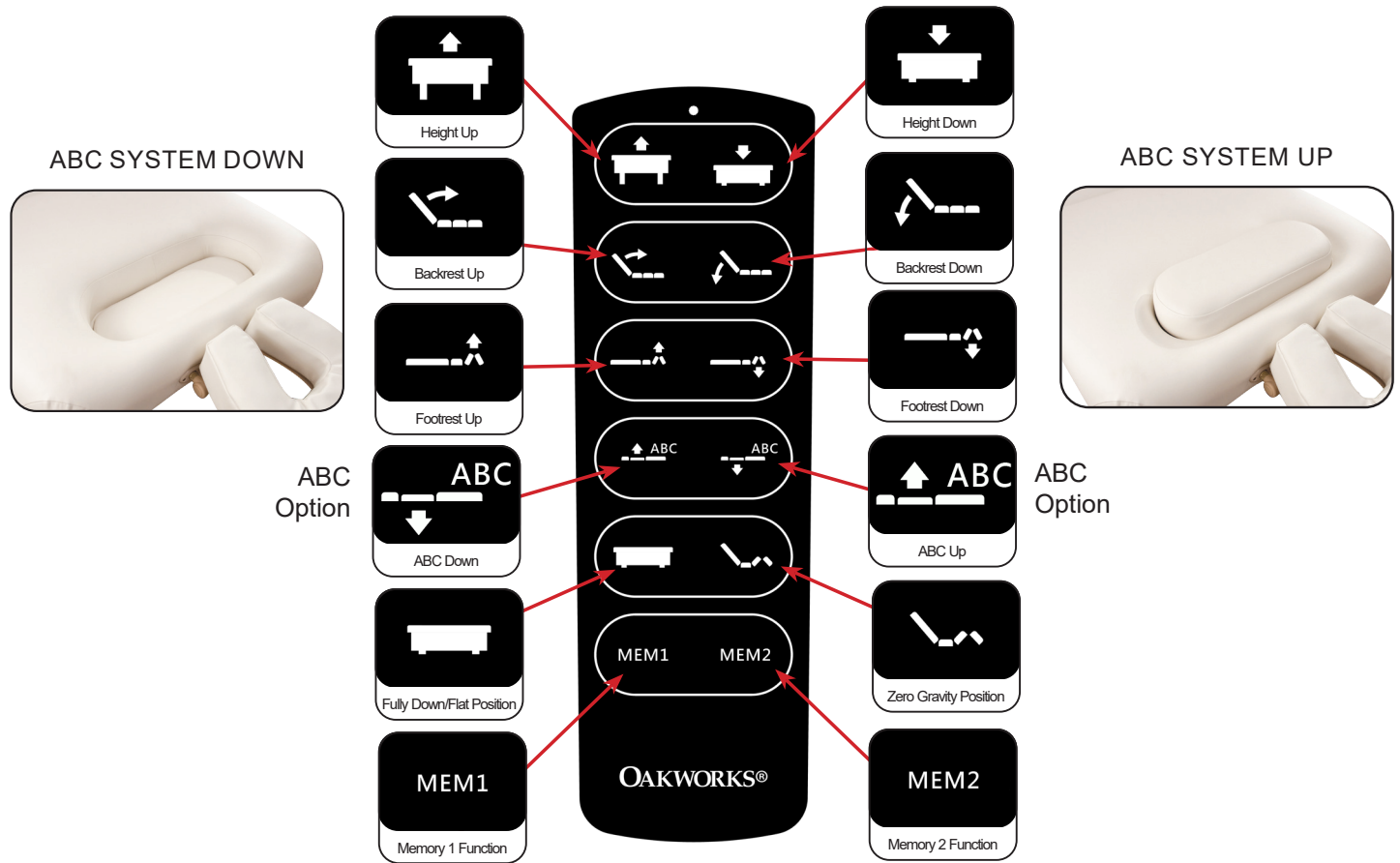
Integrated Heated Top	120V or 230V External Outlets
2nd Hand Control (with Memory Positions)	2nd Foot Control
SoVi System	Boiance Shelf Support
Hot Towel Cabi	

PRODUCT DESCRIPTION - 4 LEG TABLES

CONTROL OPERATIONS - 4 LEG TABLES

- CAUTION**
- Do not sit on backrest or footrest sections.
 - The hood area under the backrest top is not designed for storage.
 - DO NOT use this area for holding anything as damage can occur to the table.

The 4 Leg Tables offer backrest, height, footrest and optional ABC positioning with electronic ease. Operate the foot and hand control as shown below to raise or lower the backrest, height, footrest and optional ABC functions of the table.

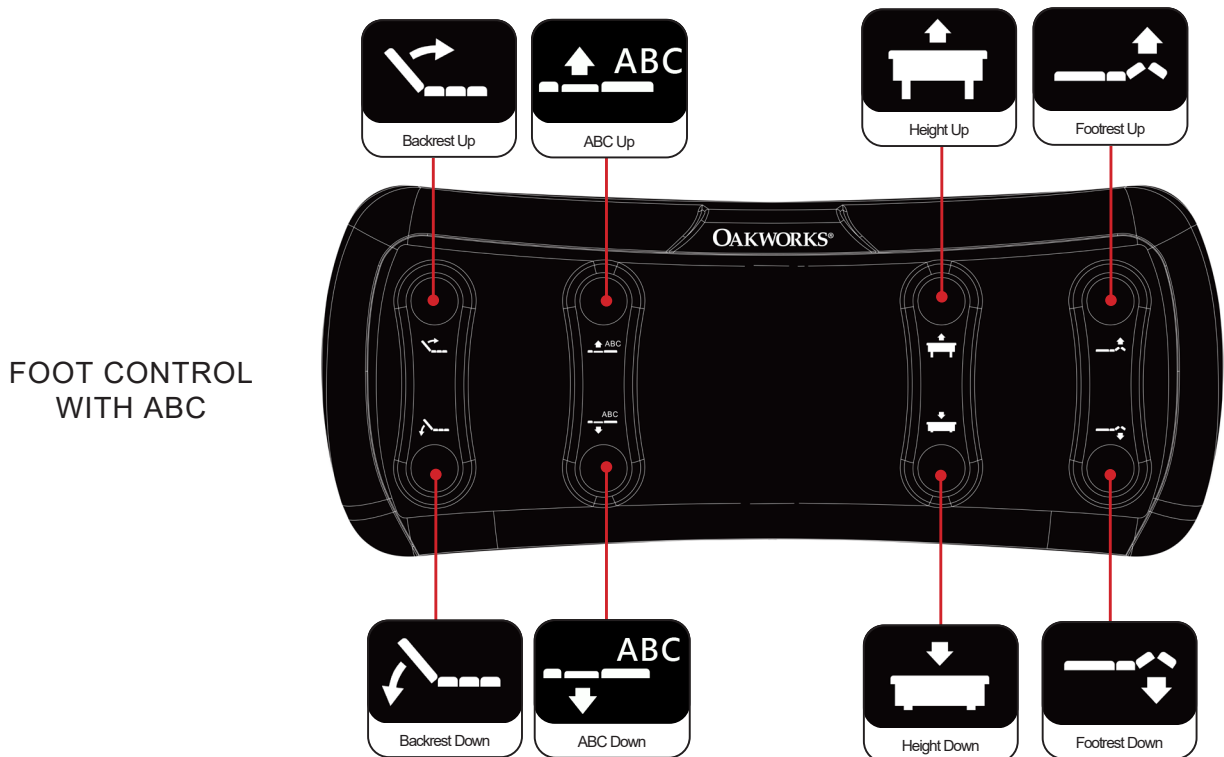
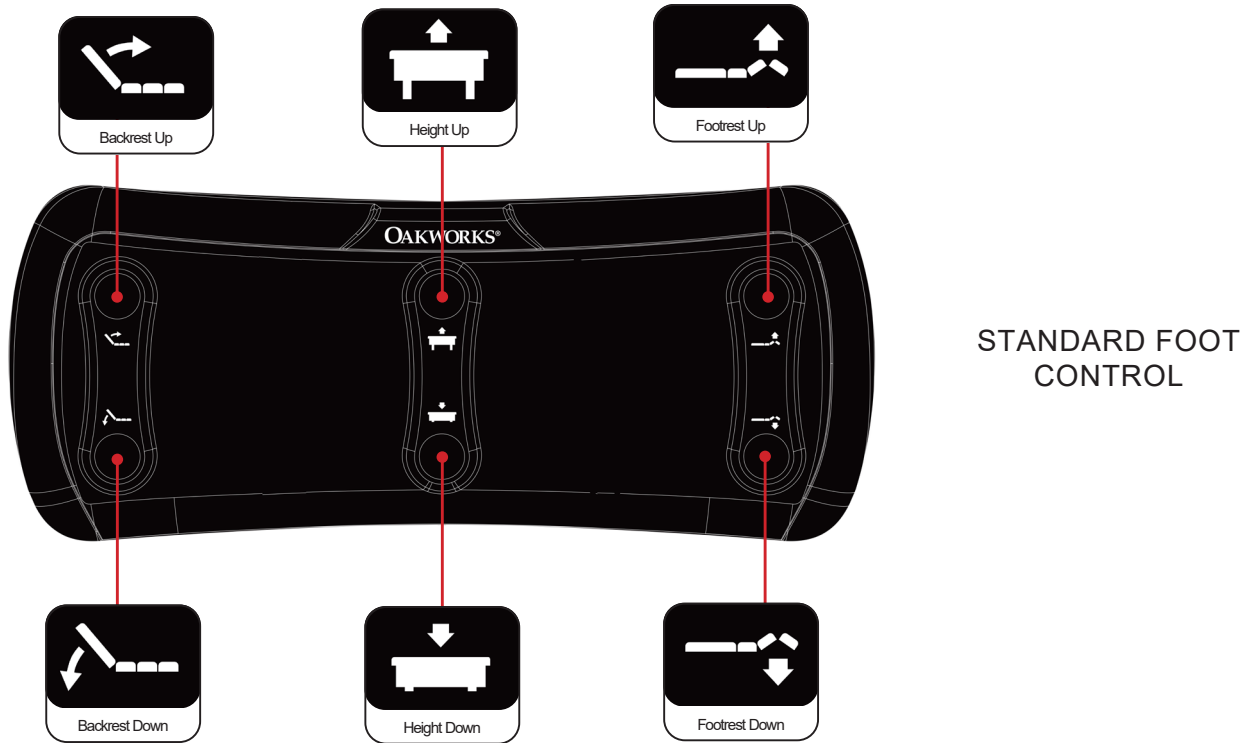


MEMORY FUNCTION USE

Use either of the top 2 buttons to orient the table in a favorite position. To store the current position in memory, press the MEM button twice (double click). Two audible beeps will confirm. To recall a stored position, press & hold the MEM button.

PRODUCT DESCRIPTION - 4 LEG TABLES

CONTROL OPERATIONS - 4 LEG TABLES



PRODUCT DESCRIPTION - 2 COLUMN TABLES

Talise - TA



ABC MODEL



STORAGE MODEL



Storage Door Opening: 15"W x 9"H
Storage Cabinet: 38"L x 25"D x 9"H
Storage Load Capacity: 75 lbs.

WARMING DRAWER MODEL



Warming Drawer: 19"D x 17"W x 3"H
Warming Drawer Capacity: 16L

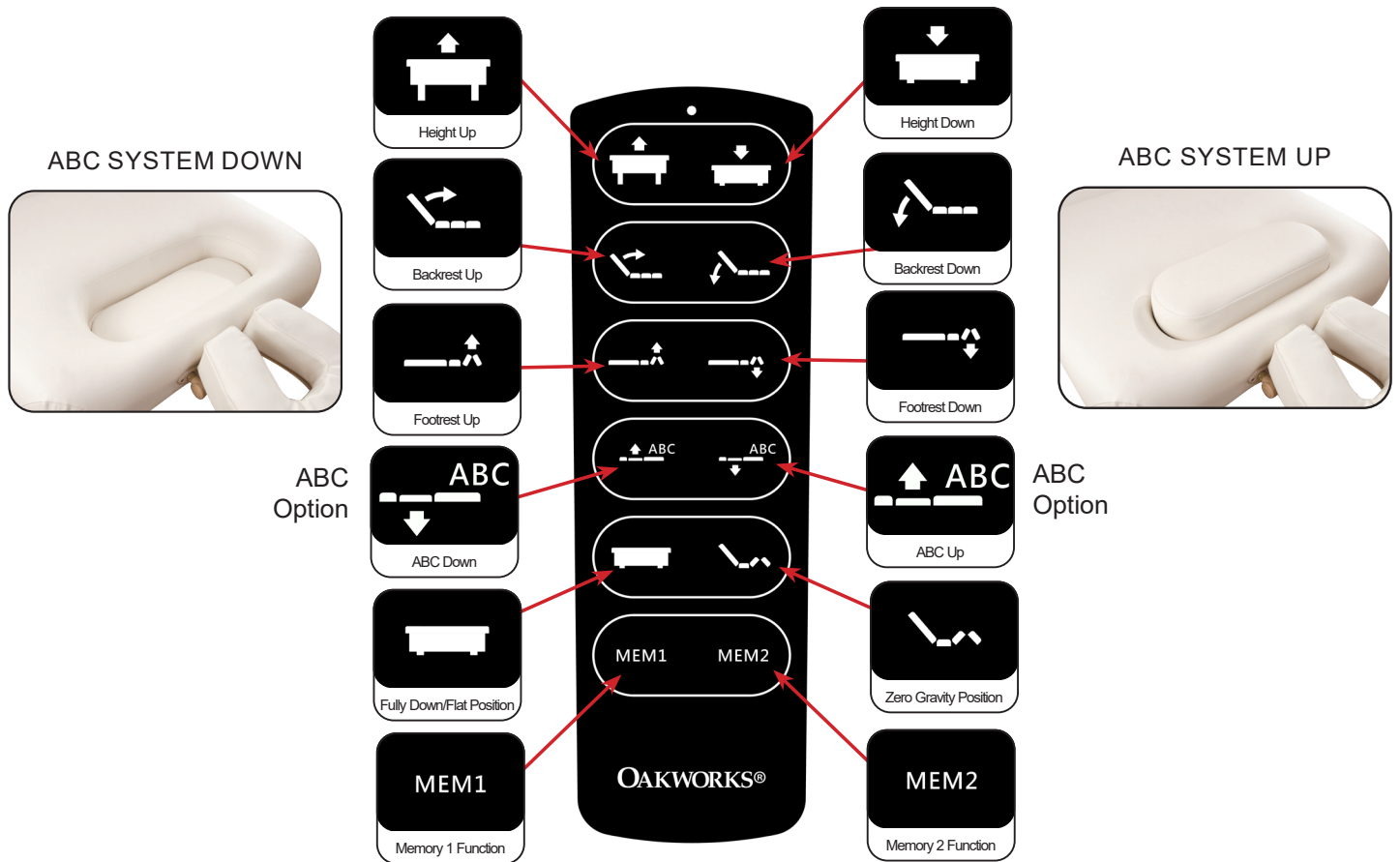
STANDARD SPECIFICATIONS			
3 Motions	1) Powered 20.5-34.5" (52-88 cm.) Height (with 4" foam)	Hand Control	All powered motions and Memory Positions
	2) Powered 0-80° Backrest	Foot Control	All powered motions
	3) Powered 0-30° Thigh / 0-19° Footrest		
Table Capacity	500 lbs. (227 kg.) (client and accessories)	Padding	4" (10 cm.) or 6" (15 cm.) AeroLux Foam
OPTIONS / ACCESSORIES			
Integrated Heated Top		120V or 230V External Outlets	
2nd Hand Control (with Memory Positions)		2nd Foot Control	
SoVi System		Boiance Shelf Support	
Hot Towel Cabi			

PRODUCT DESCRIPTION - 2 COLUMN TABLES

CONTROL OPERATIONS -TALISE TABLES

- CAUTION**
- Do not sit on backrest or footrest sections.
 - The hood area under the backrest top is not designed for storage.
 - DO NOT use this area for holding anything as damage can occur to the table.

The Talise Tables offer backrest, height, footrest and optional ABC positioning with electronic ease. Operate the foot and hand control as shown below to raise or lower the backrest, height, footrest and optional ABC functions of the table.

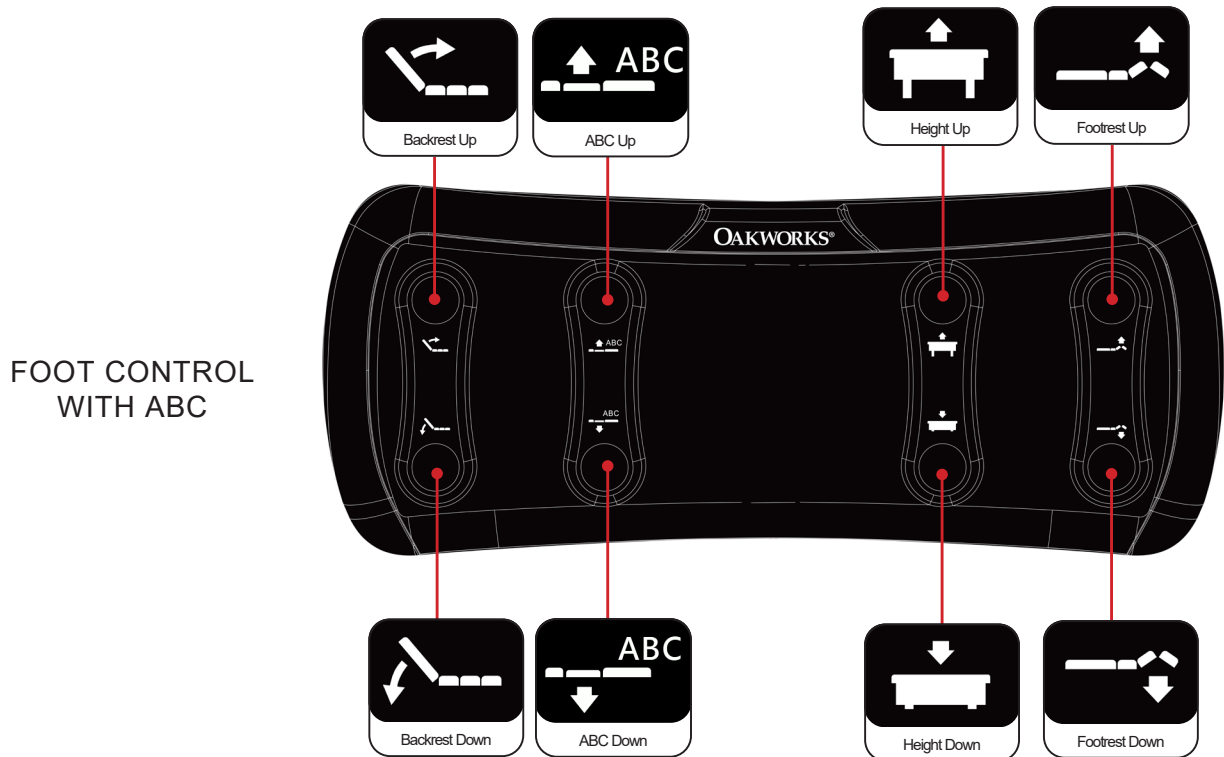
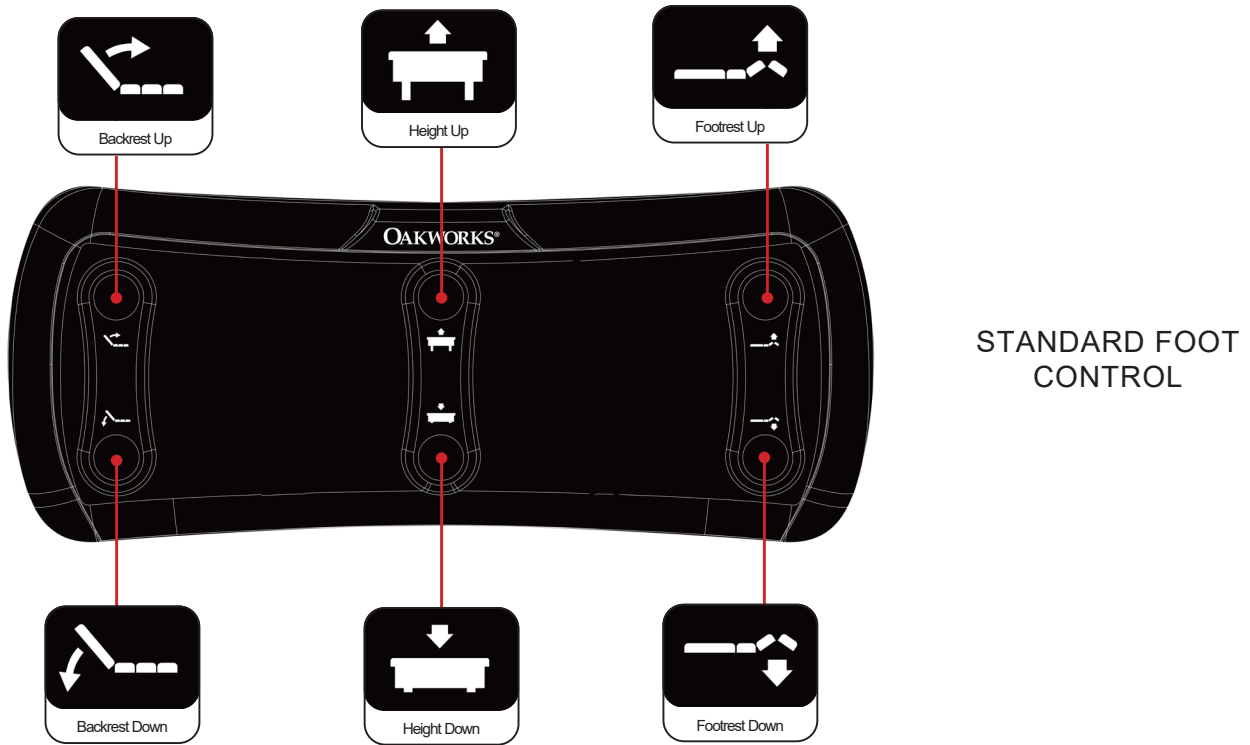


MEMORY FUNCTION USE

Use either of the top 2 buttons to orient the table in a favorite position. To store the current position in memory, press the MEM button twice (double click). Two audible beeps will confirm. To recall a stored position, press & hold the MEM button.

PRODUCT DESCRIPTION - 2 COLUMN TABLES

CONTROL OPERATIONS -TALISE TABLES



PRODUCT DESCRIPTION - 2 COLUMN TABLES

Palas - PA



ABC MODEL

STANDARD SPECIFICATIONS			
4 Motions	1) Powered 20.5-34.5" (52-88 cm.) Height (with 4" foam)	Hand Control	All powered motions and Memory Positions
	2) Powered 0-80° Backrest		
	3) Powered 0-30° Thigh / 0-19° Footrest	Foot Control	All powered motions
	4) Powered ±17° Trendelenburg/ Reverse Trendelenburg		
Table Capacity	500 lbs. (227 kg.) (client and accessories)	Padding	4" (10 cm.) or 6" (15 cm.) AeroLux Foam
OPTIONS / ACCESSORIES			
Integrated Heated Top		120V or 230V External Outlets	
2nd Hand Control (with Memory Positions)		2nd Foot Control	
SoVi System		Boiance Shelf Support	

PRODUCT DESCRIPTION - 2 COLUMN TABLES

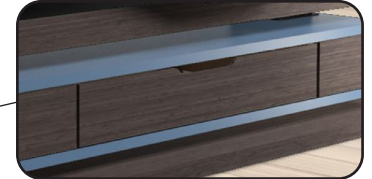
Britta - BT



ABC MODEL



STORAGE MODEL



Storage Drawer: 31.5"W x 22" D x 4"H
Storage Load Capacity: 50 lbs.

WARMING DRAWER MODEL



Warming Drawer: 19"D x 17"W x 3"H
Warming Drawer Capacity: 16L

STANDARD SPECIFICATIONS

4 Motions	1) Powered 20.5-34.5" (52-88 cm.) Height (with 4" foam)	Hand Control	All powered motions and Memory Positions
	2) Powered 0-80° Backrest		
	3) Powered 0-30° Thigh / 0-19° Footrest	Foot Control	All powered motions
	4) Powered ±17° Trendelenburg/ Reverse Trendelenburg		
Table Capacity	500 lbs. (227 kg.) (client and accessories)	Padding	4" (10 cm.) or 6" (15 cm.) AeroLux Foam

OPTIONS / ACCESSORIES

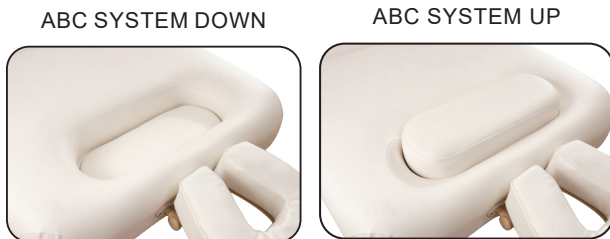
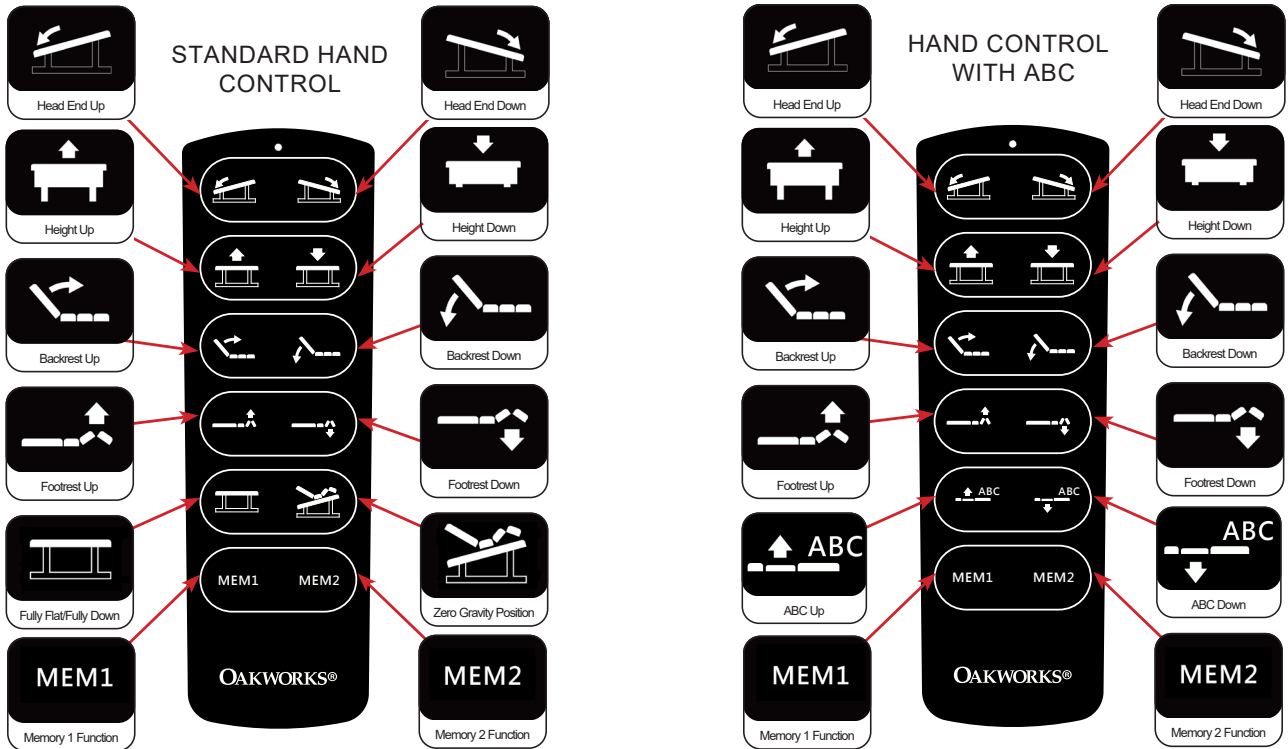
Integrated Heated Top	120V or 230V External Outlets
2nd Hand Control (with Memory Positions)	2nd Foot Control
SoVi System	Boiance Shelf Support

PRODUCT DESCRIPTION - 2 COLUMN TABLES

CONTROL OPERATIONS - BRITTA & PALAS TABLES

- CAUTION**
- Do not sit on backrest or footrest sections.
 - The hood area under the backrest top is not designed for storage.
 - DO NOT use this area for holding anything as damage can occur to the table.

The Britta and Palas Tables offer trendelenburg, height, backrest, footrest, and optional ABC positioning with electronic ease. Operate the foot and hand control as shown below to raise or lower the trendelenburg, height, backrest, footrest, and optional ABC functions of the table.

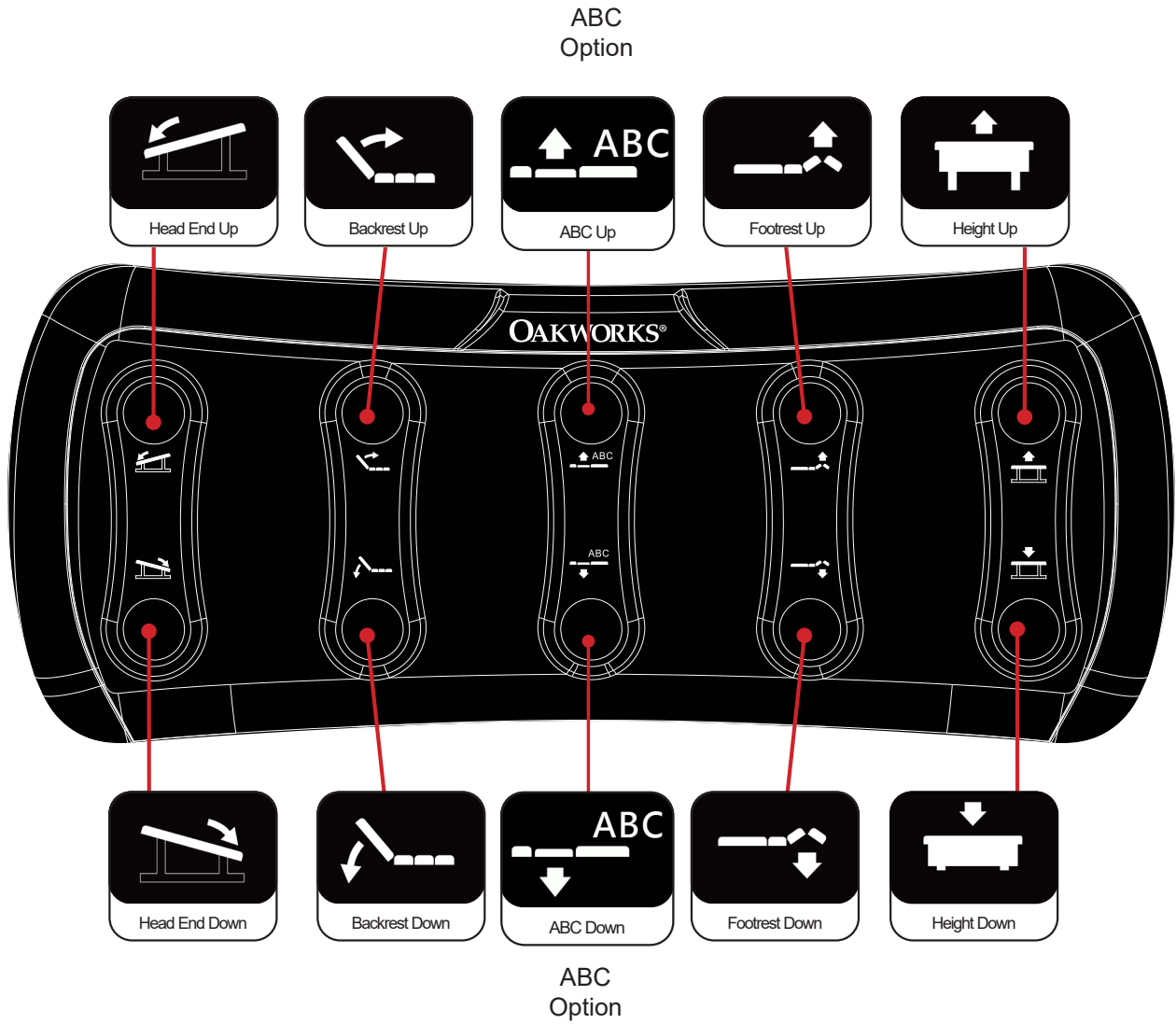


MEMORY FUNCTION USE

Use either of the top 2 buttons to orient the table in a favorite position. To store the current position in memory, press the MEM button twice (double click). Two audible beeps will confirm. To recall a stored position, press & hold the MEM button.

PRODUCT DESCRIPTION - 2 COLUMN TABLES

CONTROL OPERATIONS - BRITTA & PALAS TABLES



DIRECTIONS FOR USE

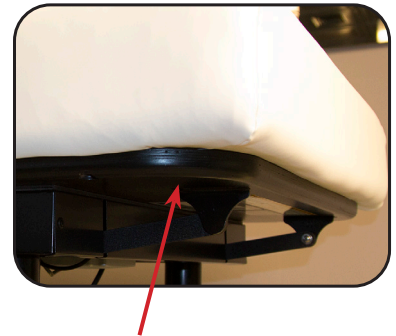
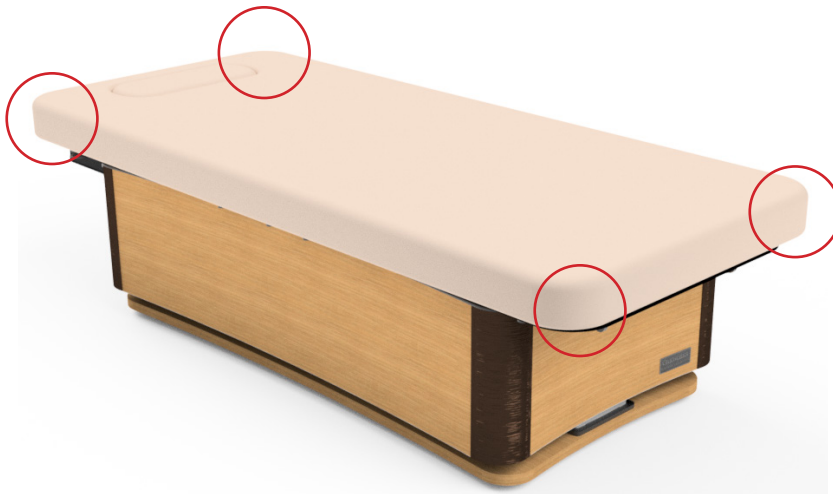
MOVING THE TABLE



CAUTION

- Before moving any of the tables, disconnect the power cord from the power outlet.
- The table weighs as much as 475 lbs. (216 kg.)
- Use extreme caution when lifting the table to move it.
- 4 people are required to move the table safely.
- DO NOT use the table to transport a client.

When moving the table, place one person at each corner of the table. Have each person firmly grasp the table top. When moving any piece of heavy equipment, bend at the knee and lift with your legs and not with your back. Be aware and use proper, safe procedures for moving a table of this size to prevent injury to yourself or damage to the table. We strongly recommend that a flatbed dolly that can hold the entire table be used if moving the table involves any large distance.



Grasp on black frame when moving

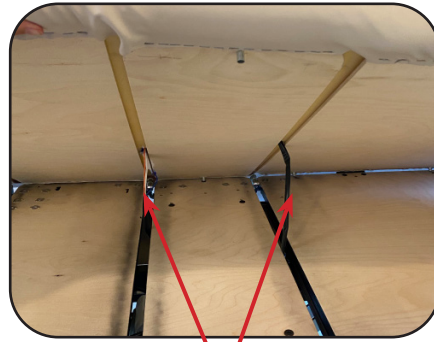
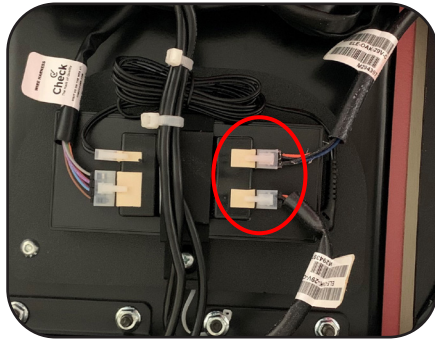
DIRECTIONS FOR USE

REMOVING TOP PAD

The top pad has been designed to be easily removable and replaceable with no tools needed.

IF THE TABLE HAS A HEATED TOP:

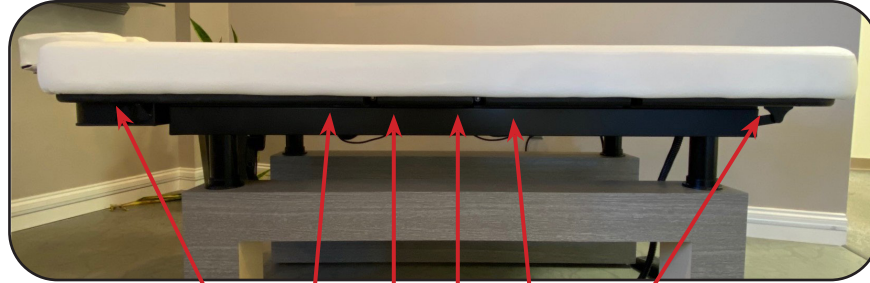
Unplug the table from the wall outlet and disconnect the wires circled from the control box located under the platform. Pull the cables through the platform before completely removing the top pad.



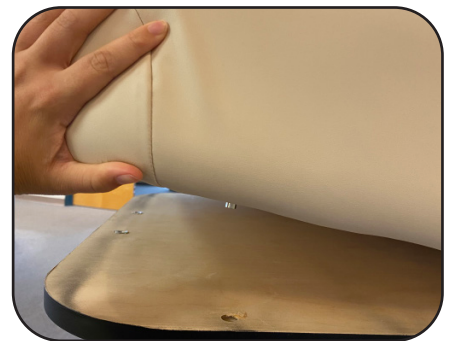
Heated Top Cables

TO REMOVE THE TOP PAD:

The top pad is attached to the platform with 10-12 thumb screws depending on the model located below the platform as shown.



Thumb Screw Locations (5-6 per side)



1. Unscrew the thumb screw clockwise until the thumb screw is completely removed. Repeat for all thumb screws. If the thumbs screws are on too tight, a 3/16" bit can be used.

2. Lift top pad off the platform.

DIRECTIONS FOR USE

ADJUSTABLE BREAST COMFORT (ABC) SYSTEM (OPTION)



CAUTION

- ABC System Weight Limit - 100 lbs. (45 kg.) Do not sit on the ABC System.
- Do not place foreign objects into the ABC System. Only use as intended.
- For safety of your client, use a cloth sheet between the ABC System and your client.

The Oakworks Adjustable Breast Comfort (ABC) System is designed to lower the pressure on breasts and pectoral muscles, allowing the client to relax and create a more comfortable position for their spine. The height of the cushion is easily adjusted up and down in small increments by using the hand control. We recommend that the cushion height be adjusted in the following ways:

****Always start with the cushion top level with the top of the table for Prone or Supine Positioning****



PRONE POSITIONING

In Prone positions, for male or female clients when the face rest is in use, lower the cushion approximately 3/4" at a time (This is approximately 1 second of lowering) and check in with the client regarding their comfort after making the change. Incrementally lower the cushion until the client reports they are comfortable. Sometimes going back up a little will be preferred. This whole process takes no more than 15-20 seconds. After lowering, check headrest position to ensure comfort & support. *NOTE: Breast size is not the only determinate of cushion location. Every person's comfort spot is different, regardless of breast size.*



SUPINE POSITIONING

When turning clients over in the supine position, you may use the cushion to level during or after their change of position. IT is not important that the cushion be completely level. As in prone positions, make small changes in height and check in with the client.



HEAD REST USE IN SUPINE

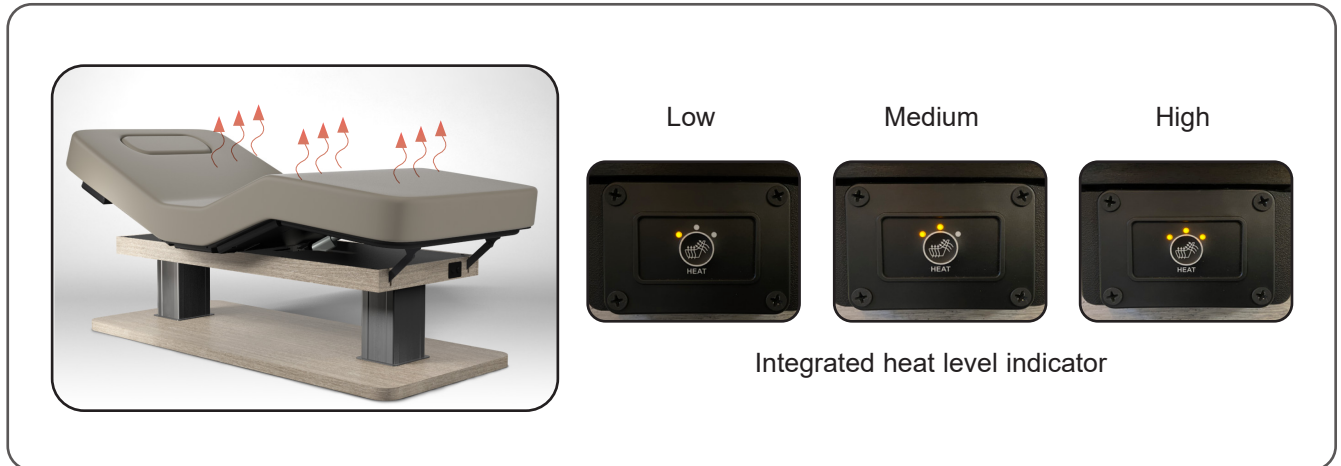
If you are using the head rest in the Supine position, you may use the cushion at relatively high heights to facilitate stretching for short periods of time. It is not recommended that clients experience this position for more than a few minutes.

DIRECTIONS FOR USE

INTEGRATED HEATED TOP (OPTION)

USING THE INTEGRATED HEATED TOP:

The table comes with the option for a fully integrated heated top pad. Simply press the heating indicator located on the right side of the table to the desired heat level. The heat can reach up to 43°C (110°F). The system comes equipped with an 8 hour automatic shutoff.



BLINKING LIGHTS

If the controller's heat level indicator lights are blinking, the heating elements are not connected properly and/or damaged. Unplug the table and locate the control box on the underside of the table top. Disconnect the heating element connectors from the control box and reconnect. Plug the power cord back into the wall outlet. Call Customer Service at 717.235.6807 if problem continues.

DIRECTIONS FOR USE

QUICKLOCK FACE REST: (ACCESSORY OPTION)



CAUTION

- QuickLock Face Rest Weight Limit - 25 lbs (11.3 kg)
- Do not put excessive weight or pressure on the Face Rest.
- Excessive pressure can cause premature failure of the Face Rest.

Double articulating action provides nearly limitless positioning options with the QuickLock Face Rest. The adjustable pad takes pressure off sensitive facial areas while providing superb support. The QuickLock Face Rest can be used in both prone and supine positioning and folds out of the way when not in use. Adjustments are made easily by loosening the cam locks, adjusting for height and angle and then locking locks into that position. The table has a bracket at the head of the table for a variety of uses.



ATTACHING QUICKLOCK FACE REST:

When attaching the QuickLock Face Rest, slide the frame dowels into the bracket until bullet catches are snapped into place.

To remove the QuickLock Face Rest, gently pull the headrest by the dowels until it comes free. Set it safely aside or store it inside the under-table cabinet until needed.



Pull by dowels

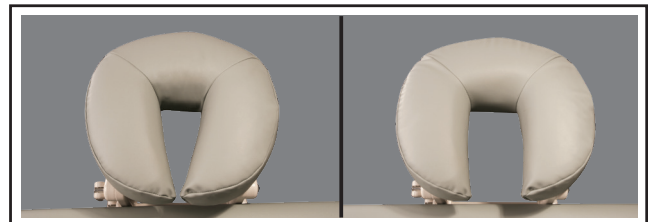
Pull by dowels

TIPS FOR GREAT POSITIONING USING THE QUICKLOCK FACE REST:

To use the face rest with your clients supine, rotate the face rest pad so that the thick part of the pad supports your client's cervical region. Adjusting the height and angle of the face rest gives your clients perfectly comfortable support.

The face pad is flexible so that you can bring the open ends together or spread them apart to achieve the most comfortable support for any size face. To avoid your client's chin from hitting the spacebar, make sure the pad is narrow enough to support their whole face.

For appropriate cervical flexion, use the cam locks to adjust the downward angle of the face rest, making sure that the surface of the face rest pad at the chin is not lower than the surface of the table.



DIRECTIONS FOR USE

BOIANCE SHELF SUPPORT: (ACCESSORY OPTION)



CAUTION

- Boiance Shelf Support Weight Limit - 25 lbs (11.3 kg)
- Do not put excessive weight or pressure on the Boiance Shelf Support.
- Excessive pressure can cause premature failure of Boiance Shelf Support.

USING THE BOIANCE SHELF SUPPORT:

The shelf and bracket used together allow you to create the perfect place for clients' arms. The shelf can also be used alone as a table extender for additional head support.

Note: The QuickLock Face Rest is required to use the boiance shelf support system.



TO INSTALL THE BOIANCE SHELF SUPPORT:

First install the QuickLock Face Rest at the head end of the table.

For Arm Rest Usage:



1. Position bracket underneath QuickLock.



2. Hook bracket onto center support beam on the QuickLock.



3. Lower the bracket down. Make sure bracket is engaged with the dowels on the side of QuickLock.

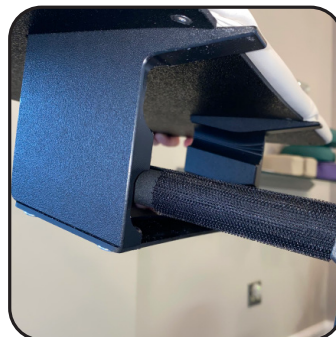


4. Slide shelf onto bracket. The top track works best for this application.

For Head Support and Table Extender Usage:



1. Remove face rest from QuickLock.



2. Slide QuickLock into the tracks. Top track is best for 4" foam and bottom for 6" foam.

CLEANING & DISINFECTION

RECOMMENDED CLEANERS/DISINFECTANTS



DANGER

To reduce the risk of electric shock:

- Always unplug this furnishing from the electrical outlet before cleaning.

Reference the Recommended Cleaners and Disinfectant list (MMINML0008-EN) that came with the table. This information can also be found at www.shop.spatables.com under product information.

All cleaners and disinfectants have the ability to degrade the upholstery to some extent. However, following the recommended cleaner and disinfectant list and cleaning process will provide the best care for your table and support a long product life.

Oakworks recommends a prepackaged wipe for cleaners/disinfectants to ensure best distribution of disinfectant for the required kill time, without leaving excess residue and/or overexposing components therefore minimizing the potential for damage to materials. Please read and follow disinfectants manufacturers' directions for cleaning and disinfection.

Oakworks does NOT recommend the use of cleaners/disinfectants containing Hydrogen Peroxide, Acetic Acid, or Phenolics. These chemicals can cause damage to the appearance and/or material integrity of various components. Also, while the recommended cleaners/disinfectants list includes products containing Quaternary Ammonium compounds ("quats"), not all products containing quats are approved for use. Some contain additional detergents and/or surfactants which can damage some materials.

Use of non-approved cleaners or disinfectants may lead to damage to upholstery and other materials found on the table and will void the warranty.

CLEANING PROCESS

Follow the cleaners/disinfectant manufacturers' directions for use. Please note that cleaning and disinfecting an Oakworks table is a two part process. First it must be cleaned of any visible soil, then it can be disinfected. Oakworks recommends that the table be positioned in the flat position during the cleaning process. Please follow this procedure for best results:

1. Using an approved cleaner or mild liquid soap and water, clean any visible soil off of the table, working from the top to the bottom of the table. It is recommended that the upholstery be cleaned at least once a week to prevent disinfectant build up.
2. Rinse with clean water and dry with a clean cloth or towel.
3. Using an approved disinfectant, thoroughly disinfect all surfaces of the tabletop and any high-contact areas such as handles, handsets, etc., making sure they remain wet for the disinfectant manufacturer's recommended contact time. Do not allow disinfectant to pool on the upholstery after the recommended contact time.
4. Wipe off any excess liquid with a cloth or towel and clean water.
5. Dry all surfaces with a clean cloth or towel.

Avoid using writing instruments or other similar instruments around the upholstery as it can cause permanent staining. If this does occur, do not wipe with an alcohol based cleaner. Instead, blot the stain with a clean cloth/ paper towel. Use a recommended cleaner or disinfectant to remove the stain. Follow this with a rinse of clean water.

INSPECTIONS / WARRANTY/ MODEL NUMBER

INSPECTIONS

RECOMMENDED REGULAR INSPECTIONS (monthly or local standard)

- Check for damage to the power, hand control(s) and foot control(s) on all cables.
- Visually inspect components for obvious damage that could cause problems during operation.

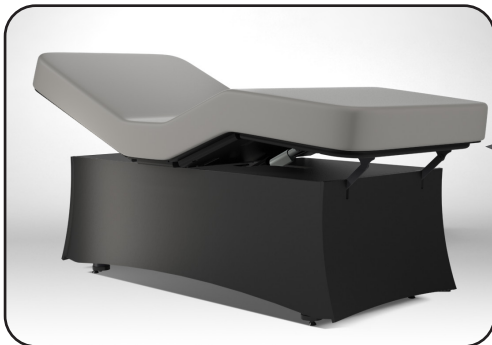
RECOMMENDED PERIODIC INSPECTIONS (yearly or local standard)

- Check for damage to the power, hand control and foot control cables and all visible wiring.
- Visually inspect components for obvious damage that could cause problems during operation.
- Check all mechanical functions using the hand control. Repeat using the foot control. Check for abnormal noises.
- Check that all fasteners are present and fastened securely.
- Check table grounding.
- Clean unusual buildup of dirt on the table and/or parts of the table not normally cleaned on a regular basis.
- Check for tears or cracks in the upholstery.

WARRANTY

View complete warranty details at www.shop.spatables.com under the Information tab “Warranty and Return Policy”.

PRODUCT LABEL LOCATION



The model number and serial number are located on the underside of the foot end of the table.

Masters' Collection Tables

Model Number: 16796025 MIXX4R35ASH611USXXXSAGEAGIDPCXXDXX

Serial Number: Ser#: MIS563146 07/18/2017 Order#:785461

Maia, 4 Sect XX/4/R/3/5/A/SH/6/11/US/XXX

AS Shade / Design Space: Euro Chic

Notes: XXX

INPUT SERVICE
120V~ 60Hz, 3.0 Amps
PN: CN78733-1 Rev: 2

120V Models: ETL US CONFORMS TO: UL STD 962 Intertek 3034177 Certified to: CAN/CSA STD C22.2 No. 68-09

230V Models: EC REP EMERGO EUROPE Prinsessegracht 201, 2414 AP, The Hague, The Netherlands

OAKWORKS, Inc.
923 East Wellspring Rd.
New Freedom, PA 17349 USA
Phone: 717-235-6807
www.oakworks.com

made in the USA with US & imported parts

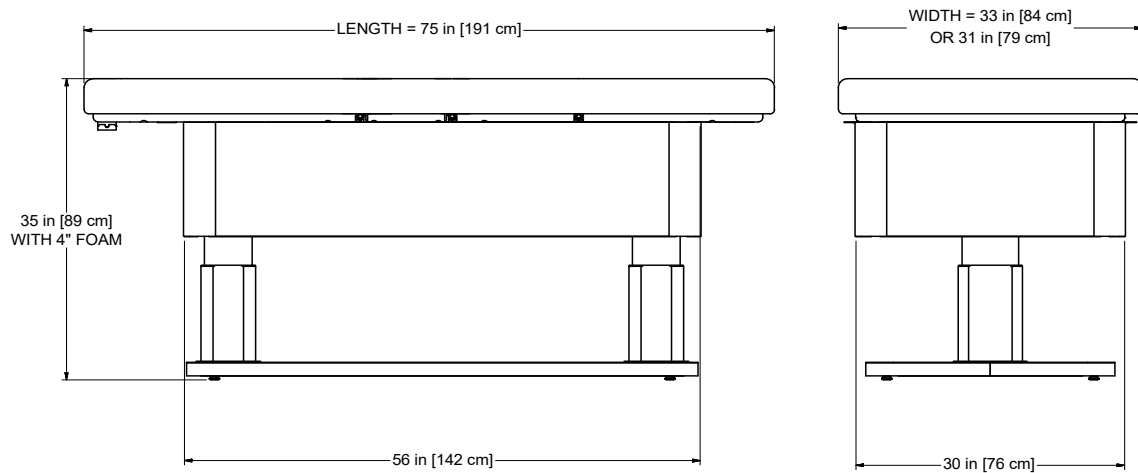
Duty Cycle:
MAX 2 minutes ON
18 minutes OFF

Part No. CN70537-25 Rev. 5

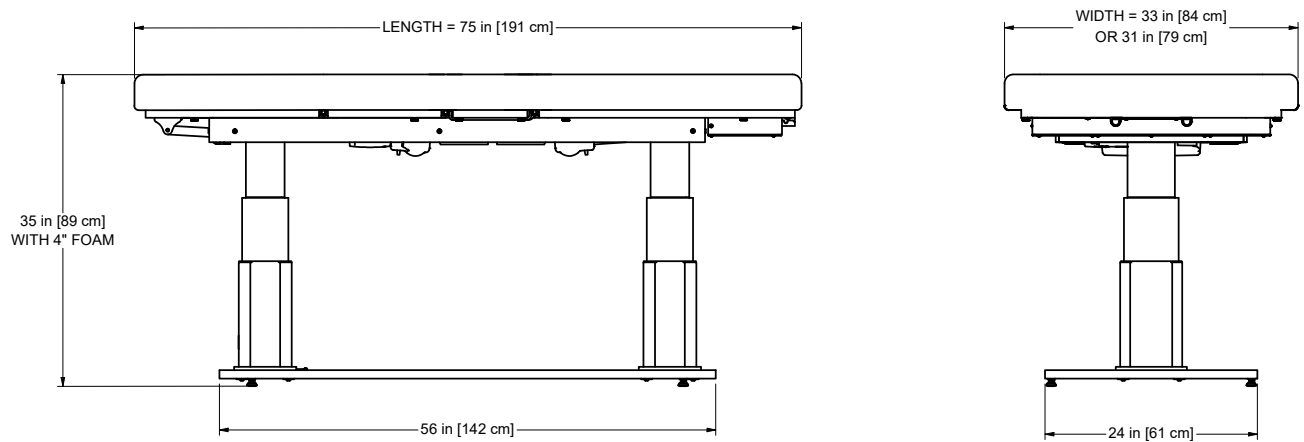
Model Numbers and Serial Numbers always start with a letter.

PRODUCT DIMENSION - 2 COLUMN TABLES

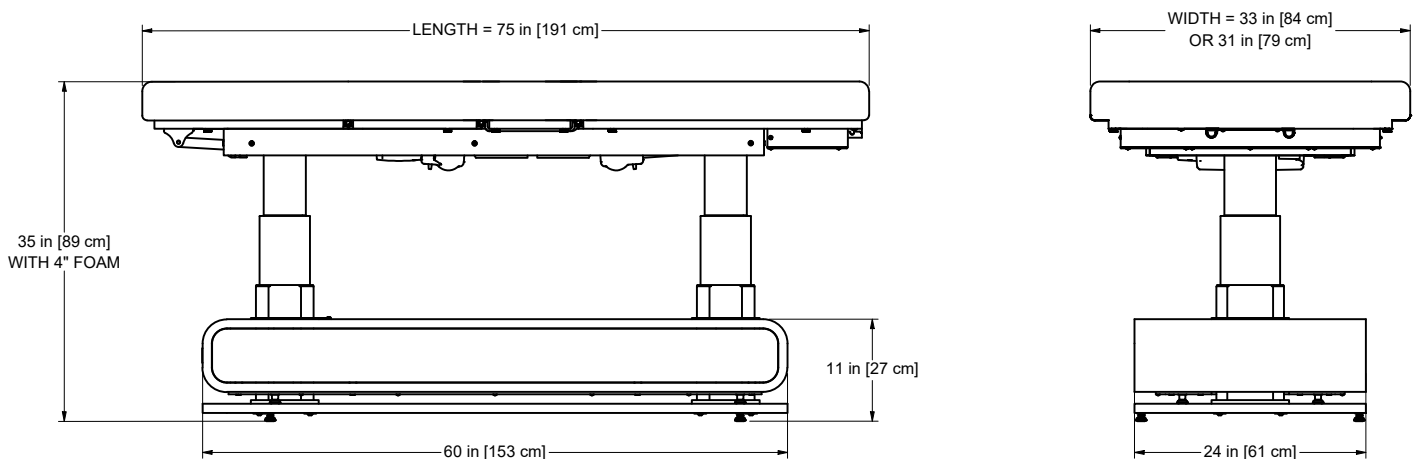
TALISE TABLE DIMENSION



PALAS TABLE DIMENSION

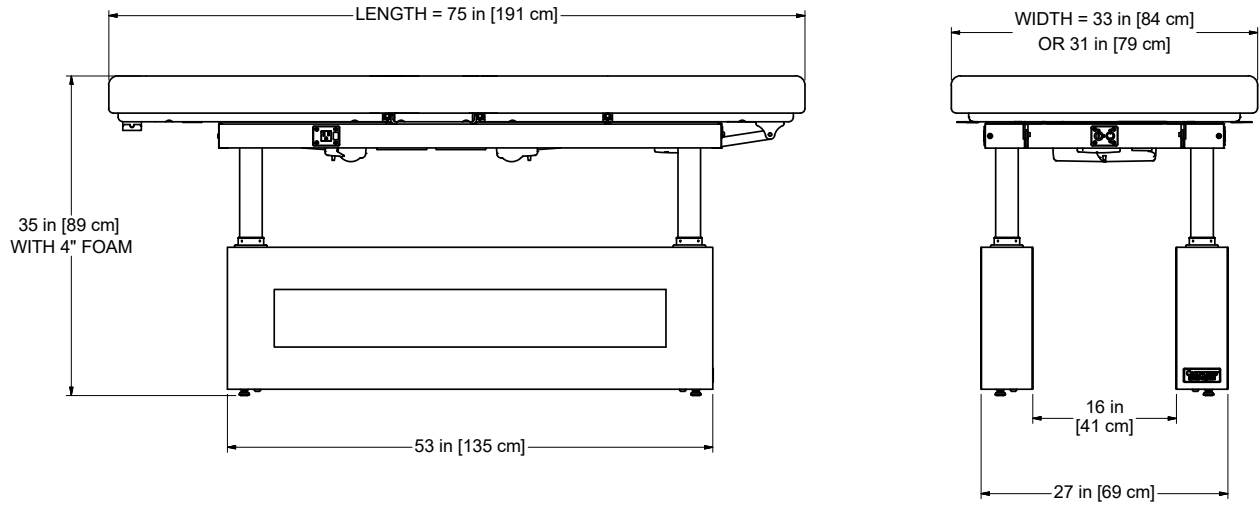


BRITTA TABLE DIMENSIONS

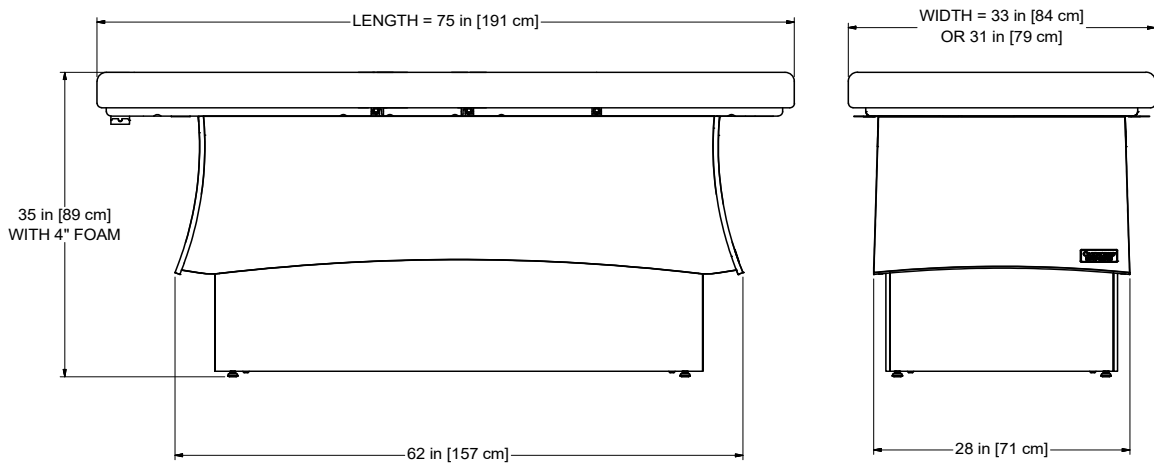


PRODUCT DIMENSIONS - 4 LEG TABLES

ICON TABLE DIMENSION



MAIA TABLE DIMENSIONS



SPECIFICATIONS

PRODUCT SPECIFICATIONS

Table Weights:	300-475 lbs. (161-216 kg.)
Lifting Capacity	500 lbs. (227 kg.)

ENVIRONMENTAL CONDITIONS

Conditions	Temperature	Humidity	Atmospheric Pressure
Normal Use	50° (10°C) to 104° (40°C)	20% to 60% RH	98 to 105 kPa
Storage & Transport	-20° (-29°C) to 135° (57°C)	20% to 95% RH	98 to 105 kPa

ELECTRICAL SPECIFICATIONS

Designed for	North America	Europe	Japan <small>* 2 Column Tables Only</small>
Input Service	120V~ 60Hz, 12.0 Amps	220-240V~ 50Hz, 8.3 Amps	100V~60Hz, 12.0 Amps
Plug Type(s)	- Type B Plug (NEMA 5-15)	-Type B Plug (NEMA 5-15) -Type I Plug (AS/NZS 3112) -Type J Plug (SEV 1011) -Type F Plug (CEE 7) -Type G Plug (BS 1363) -Type D Plug (BS 546 5A) -Type M Plug (BS 546 15A)	- Type B Plug (NEMA 5-15)
Mode of Operation	10% Duty Cycle; MAX 2 minutes ON / 18 minutes off		

PRODUCT DISPOSAL

Disposal of the Masters' Collection Tables must be compliant with the applicable regulations and requirements of the local state environmental protection agency, state health agency, Centers for Disease Control (CDC), Occupational Safety and Health Administration (OSHA), U.S. Food and Drug Administration (FDA) as well as any other local authorities that apply to this product.

THIS PAGE IS INTENTIONALLY LEFT BLANK

THIS PAGE IS INTENTIONALLY LEFT BLANK

USER MANUAL

OAKWORKS®

Masters' Collection Tables

CONTACT INFORMATION:



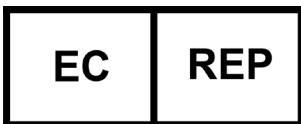
OAKWORKS® Inc.

923 East Wellspring Road
New Freedom, PA USA 17349

Phone: 717.235.6807

FAX: 717.235.6798

www.oakworks.com



EMERGO EUROPE

Prinsessegracht 20
2514 AP The Hague
The Netherlands



Intertek
3034177

CONFORMS TO:
UL STD 962
Certified to CAN/CSA STD C22.2 #68



*PSE on 2 Column
Tables Only*

FCC Rules and Regulations, Title 47, Part 15, Subpart B, Class A. Unintentional Radiators.

NOTE: This equipment has been tested and found to comply with the limits for a Class A digital device, pursuant to part 15 of the FCC Rules. These limits are designed to provide reasonable protection against harmful interference when the equipment is operated in a commercial environment. This equipment generates, uses, and can radiate radio frequency energy and, if not installed and used in accordance with the instruction manual, may cause harmful interference to radio communications. Operation of this equipment in a residential area is likely to cause harmful interference in which case the user will be required to correct the interference at his own expense.

Original Instructions

Manual Part Number: MMMNST0040-EN / SPA-RA-PM-120

Revision Level: 17

Revision Date: 12/16/2022

English, Printed in USA



OAKWORKS® Spa