


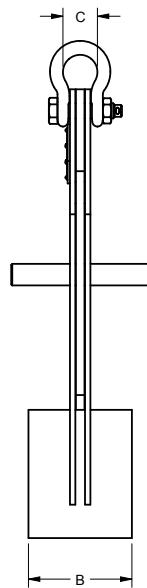
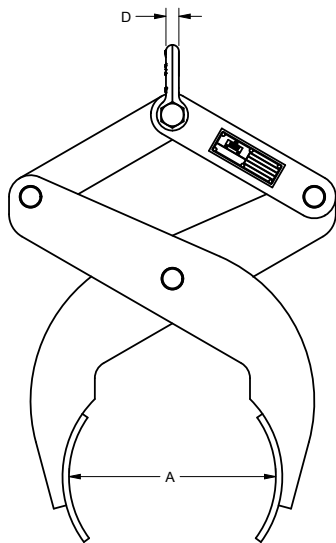
**BAR TONG LIFTER**

- Manufactured to exceed all ASME B30.20 and OSHA regulations.
- **ALL** material handling equipment shipped with proof load certification paperwork.
- Durable construction ideally suited to jobsite or warehouse use.
- Made in U.S.A.
- Ideal for moving round bars and pipe.

 Prop 65 – See Page 102

Working Load Limit in Pounds*	Part Number	A	B	C	D	Weight
1,000	<b>11855</b>	0 - 4"	6.00	1.69	0.63	12
2,000	<b>16890</b>	7 - 12"	6.00	2.00	0.75	55
4,000	<b>11902</b>	4 - 7.5"	6.00	2.00	0.75	41

\* Call for specifications on larger sizes and capacities



**WESTECH RIGGING SUPPLY**  
Call Toll Free: 800-442-7475

Call Us or Visit Our Stores:  
Monday - Friday, 8:00am - 5:30pm Pacific



Distributed By

Visit Us Online at: [www.WestechRigging.com](http://www.WestechRigging.com)

4140 West 11th Avenue  
Eugene, Oregon 97402

2439 McGilchrist St. SE  
Salem, Oregon 97302