

TS / TSE / STS

Heavy duty lightweight vertical lifting clamp

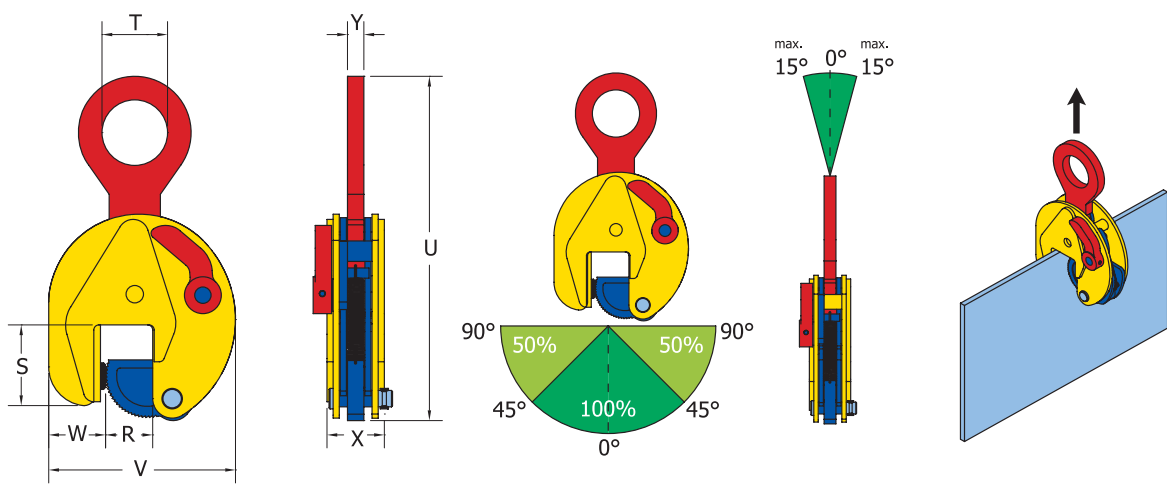
Application:

- For vertical lifting, transporting, and turning of all steel plates and structures
- Jaw openings available from: 0 to 5.90 in.
- TSE / STS types are supplied with enlarged jaw opening
- Working load limit (WLL) 1,650 - 66,000 lbs (Higher WLL available upon request)
- Min. WLL is 10% of max. WLL

Note: Surface hardness of the material lifted must not exceed 37 HRC/345 Hb

Features and Benefits:

- Lightweight design for easy handling
- Tough quality heavy-duty welded shell body
- Always equipped with a safety mechanism, ensuring the clamp does not slip when lifting force is applied and when load is being lowered
- Clamp is locked in closed as well as open position
- Maintenance-friendly. Easy to exchange parts are available upon request



| Reference No. | Type | Capacity/WLL (lb/pc) | Jaw opening (R) (inches) | Dimensions in inches | | | | | | | Weight (lb/pc) |
|---------------|---------|----------------------|--------------------------|----------------------|------|-------|-------|------|------|------|----------------|
| | | | | S | T | U | V | W | X | Y | |
| 850000 | 0.75 TS | 1,650 | 0 - 0.51 | 1.85 | 1.18 | 7.95 | 3.94 | 1.46 | 1.46 | 0.39 | 4 |
| 850880 | 1 TSE | 2,200 | 0 - 1.00 | 2.20 | 1.77 | 10.35 | 5.55 | 1.46 | 1.85 | 0.59 | 8 |
| 850901 | 2 TSE | 4,400 | 0 - 1.37 | 3.07 | 2.52 | 13.23 | 7.20 | 2.20 | 2.20 | 0.63 | 16 |
| 850331 | 3 TSE | 6,600 | 0 - 1.37 | 3.07 | 2.52 | 13.23 | 7.20 | 2.20 | 2.20 | 0.63 | 16 |
| 850441 | 4.5 TS | 9,900 | 0 - 1.00 | 3.35 | 2.76 | 16.65 | 7.99 | 2.36 | 3.03 | 0.79 | 33 |
| 850451 | 4.5 TSE | 9,900 | 0 - 1.77 | 3.35 | 2.76 | 16.73 | 8.98 | 2.36 | 3.07 | 0.79 | 36 |
| 850301 | 6 TS | 13,200 | 0 - 1.25 | 4.49 | 2.95 | 19.29 | 8.86 | 3.07 | 3.07 | 0.79 | 42 |
| 851411 | 6 TSE | 13,200 | 0 - 2.00 | 4.49 | 2.95 | 19.29 | 10.20 | 3.23 | 3.07 | 0.79 | 47 |
| 850401 | 7.5 TS | 16,500 | 0 - 1.57 | 4.37 | 2.95 | 20.87 | 9.69 | 2.99 | 3.23 | 0.79 | 53 |
| 851501 | 7.5 TSE | 16,500 | 0 - 2.16 | 4.37 | 2.95 | 20.55 | 10.51 | 2.76 | 3.39 | 0.79 | 58 |
| 851551 | 9 TS | 19,800 | 0 - 2.16 | 4.37 | 2.95 | 20.55 | 10.51 | 2.76 | 3.39 | 0.79 | 60 |
| 850501 | 12 TS | 26,400 | 0 - 2.04 | 5.83 | 3.35 | 24.29 | 11.61 | 3.94 | 3.70 | 1.73 | 82 |
| 915000 | 15 TS | 33,000 | 0 - 3.00 | 8.23 | 3.39 | 31.89 | 14.69 | 5.35 | 4.17 | 1.93 | 155 |
| 917000 | 17 TS | 37,400 | 0 - 3.00 | 8.23 | 3.39 | 31.89 | 14.69 | 5.35 | 4.17 | 1.93 | 157 |
| 920000 | 20 TS | 44,000 | 0 - 3.14 | 9.84 | 3.94 | 36.73 | 22.17 | 6.02 | 5.51 | 2.60 | 329 |
| 925000 | 25 TS | 55,000 | 0.19 - 3.34 | 9.84 | 3.94 | 36.42 | 22.17 | 5.83 | 5.51 | 2.60 | 329 |
| 930000 | 30 TS | 66,000 | 0.39 - 3.54 | 9.84 | 3.94 | 36.14 | 22.36 | 6.02 | 5.59 | 2.60 | 343 |
| 852200 | 6 STS | 13,200 | 1.57 - 3.54 | 4.49 | 2.95 | 19.13 | 10.83 | 2.76 | 3.07 | 0.79 | 47 |
| 854300 | 7.5 STS | 16,500 | 2.00 - 3.93 | 4.37 | 2.95 | 20.63 | 12.28 | 2.76 | 3.39 | 0.79 | 59 |
| 853305 | 9 STS | 19,800 | 2.00 - 3.93 | 4.37 | 2.95 | 20.55 | 12.28 | 2.76 | 3.39 | 0.79 | 61 |
| 852401 | 12 STS | 26,400 | 2.00 - 3.93 | 5.98 | 3.35 | 24.21 | 13.54 | 3.94 | 3.70 | 1.73 | 91 |
| 921500 | 15 STS | 33,000 | 3.14 - 5.90 | 8.82 | 3.39 | 31.50 | 17.72 | 5.35 | 4.17 | 1.93 | 168 |
| 922000 | 20 STS | 44,000 | 3.14 - 5.90 | 9.80 | 3.94 | 36.38 | 25.20 | 6.02 | 5.51 | 2.60 | 353 |
| 922500 | 25 STS | 55,000 | 3.14 - 5.90 | 9.80 | 3.94 | 36.38 | 25.20 | 6.02 | 5.51 | 2.60 | 353 |
| 923000 | 30 STS | 66,000 | 3.14 - 5.90 | 9.80 | 3.94 | 35.67 | 25.39 | 6.14 | 5.59 | 2.60 | 365 |