

TSCC / TSCC-W

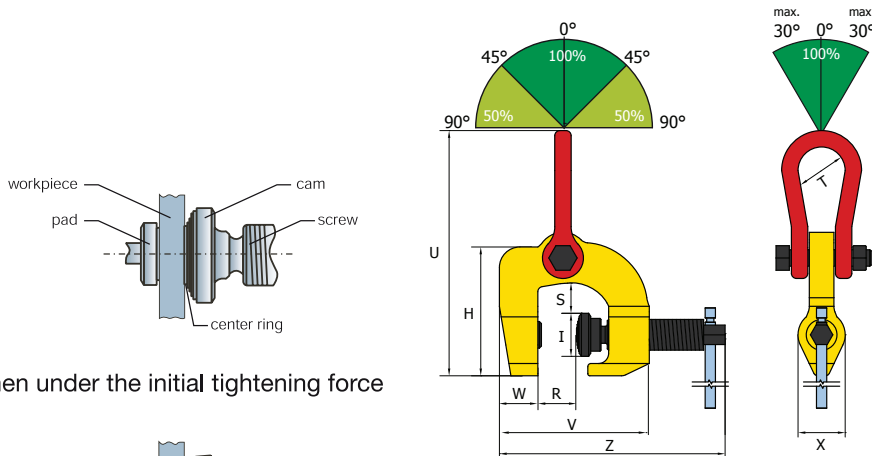
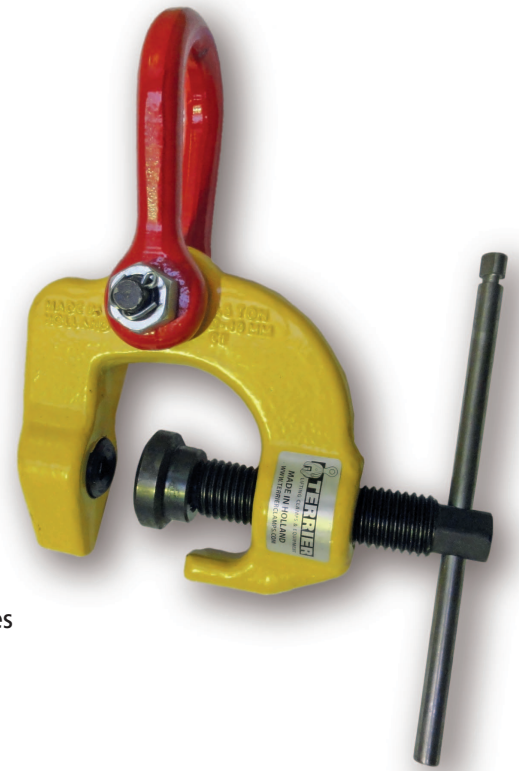
Multi-purpose screw clamp

Application:

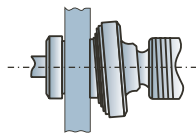
- For vertical and horizontal lifting and transportation of a large variety of steel structures
- Can also be used as upside down attached anchor point (temporary)
- Jaw openings available from: 0 to 2.95 in.
- TSCC-W types are supplied with enlarged jaw opening: .98 to 3.93 in.
- Working load limit (W.L.L.) 1,100 - 13,200 lbs
- **No min. W.L.L.**

Features and Benefits:

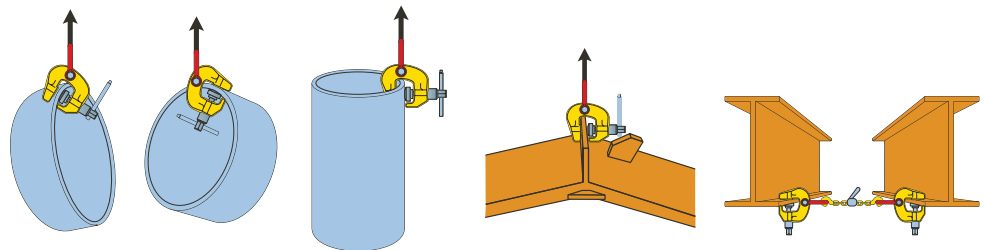
- Special universal design ensures multi-purpose application of lifting steel structures
- Fitted with a moveable cam on the thread spindle which provides a powerful clamping force on the workpiece
- Equipped with a safety screw spindle mechanism, ensuring the clamp does not slip when lifting force is applied
- Lightweight design for easy handling
- Tough quality heavy-duty drop forged body
- Forged alloy components, where required
- Maintenance-friendly. Easy to exchange parts are available upon request
- All models equipped with tightening bar



When under the initial tightening force



When under load



Reference No.	Type	Capacity/W.L.L. (lb/pc)	Jaw opening (R) (inches)	Dimensions in inches									Weight (lb/pc)
				S	I	W	V	Z	U	H	T	X	
900500	0.5 TSCC	1,100	0 - 1.37	.71	1.08	1.02	4.25	6.22	8.31	3.23	.98	1.06	3
862710	1 TSCC	2,200	0 - 1.18	1.73	1.65	1.81	6.89	8.27	8.03	5.04	1.50	1.81	8
901500	1.5 TSCC	3,300	0 - 1.57	1.14	1.65	1.57	5.91	8.66	9.13	5.51	1.81	1.81	12
903000	3 TSCC	6,600	0 - 2.36	1.50	1.97	1.81	7.48	11.02	10.94	7.24	1.97	2.36	18
906000	6 TSCC	13,200	0 - 3.93	2.36	2.48	2.76	11.65	17.56	15.35	9.80	3.94	2.95	49
862711	1 TSCC-W	2,200	1.96 - 3.93	3.46	1.65	1.97	8.86	10.16	10.75	7.48	1.77	1.81	14
862731	3 TSCC-W	6,600	.98 - 2.95	2.99	1.93	2.36	8.46	9.84	11.46	7.52	1.97	2.13	18