

FHX / FHSX

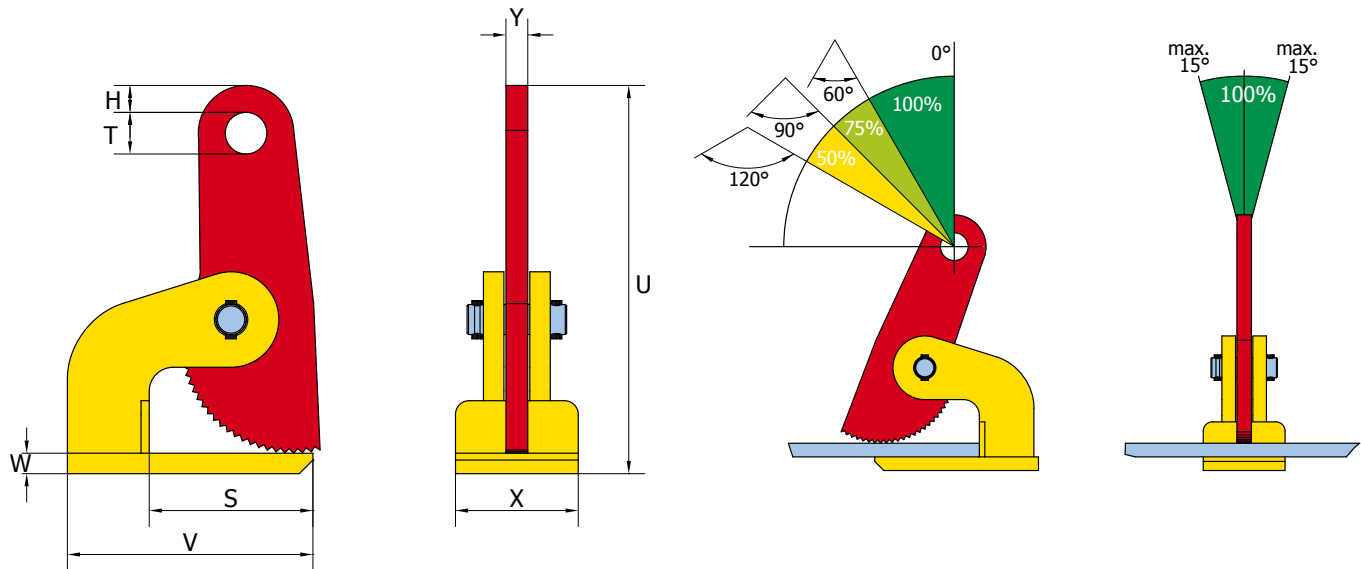
Lightweight heavy duty clamp for horizontal lifting

Application:

- For horizontal lifting and transporting of steel plates and other non-deflecting materials
- Terrier FHX / FHSX lifting clamps must always be used in pairs (or multiple pairs)
- Jaw openings available from: 0 to 5.90 in.
- FHSX models are supplied with enlarged jaw opening
- Working load limit (W.L.L.) 2,200 - 55,000 lbs per pair (Higher W.L.L. available upon request)

Features and Benefits:

- Compact design and high lifting capacity
- Lightweight design for easy handling
- Tough quality heavy-duty welded body
- Maintenance-friendly. Easy to exchange parts are available upon request



Reference No.	Type	Capacity/W.L.L.		Jaw opening (R) (inches)	Dimensions in inches							Weight (lb/pc)	
		(lb/pc)	(lb/pair)		V	S	W	T	H	X	U		Y
953100	1 FHX	1,100	2,200	0 - 1.37	5.51	3.90	.39	.98	.45	2.56	7.40	.59	6
953200	2 FHX	2,200	4,400	0 - 2.36	7.09	4.65	.59	1.20	.76	3.54	11.30	.63	16
953300	3 FHX	3,300	6,600	0 - 2.36	180	7.09	.79	1.20	.76	3.54	11.46	.63	18
953400	4 FHX	4,400	8,800	0 - 2.36	8.66	5.71	.98	1.20	.76	4.13	11.97	.79	29
953600	6 FHX	6,600	13,200	0 - 2.36	8.66	5.71	.98	1.20	.76	4.33	12.09	.79	31
953800	8 FHX	8,800	17,600	0 - 2.36	8.86	5.31	1.38	1.20	.76	4.72	13.23	1.18	42
953010	10 FHSX	11,000	22,000	0 - 2.36	8.86	5.31	1.38	1.20	.76	4.72	13.23	1.18	42
953012	12 FHSX	13,200	26,400	0 - 2.36	8.86	5.31	1.38	1.20	.76	4.72	13.23	1.18	42
953015	15 FHSX	16,500	33,000	0 - 2.36	10.31	5.79	1.38	1.69	.84	6.30	13.54	1.38	67
953025	25 FHSX	27,500	55,000	0 - 2.36	10.31	5.79	1.57	1.69	.84	6.89	13.74	1.38	73
954200	2 FHSX	2,200	4,400	0 - 3.93	7.09	4.72	.59	1.20	.76	3.54	15.08	.59	21
954300	3 FHSX	3,300	6,600	0 - 3.93	7.09	4.72	.79	1.20	.76	3.54	15.24	.59	23
954400	4 FHSX	4,400	8,800	0 - 3.93	8.66	5.71	.98	1.20	.76	4.13	16.30	.79	34
954600	6 FHSX	6,600	13,200	0 - 3.93	8.66	5.71	.98	1.20	.76	4.13	16.30	.79	37
954800	8 FHSX	8,800	17,300	0 - 3.93	8.86	5.31	1.38	1.20	.76	4.72	16.85	1.18	47
954010	10 FHSX	11,000	22,000	0 - 3.93	8.86	5.31	1.38	1.20	.76	4.72	16.85	1.18	49
954012	12 FHSX	13,200	26,400	0 - 3.93	8.86	5.31	1.38	1.20	.76	4.72	16.85	1.18	49
853820	15 FHSX	16,500	33,000	0 - 5.90	13.78	9.45	1.38	1.77	1.08	5.51	26.18	1.38	117

Specifications are subject to change