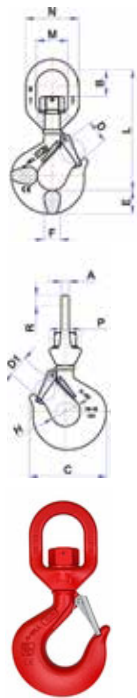




# DS/ES | Swivel Hook · Carbon and Alloy

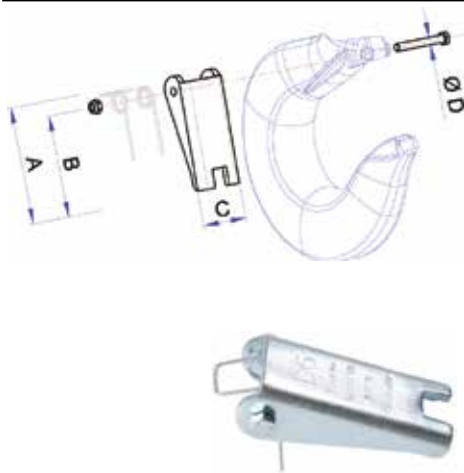
Hook can not be rotated under a load



Carbon steel Grade 40		Alloy steel Grade 80		Size														Weight [lb/pc.]
Code	WLL [Ton]	Code	WLL [Ton]	A [inch]	B [inch]	C [inch]	D [inch]	D1 [inch]	E [inch]	F [inch]	G [inch]	H [inch]	L [inch]	M [inch]	N [inch]	P [inch]	R [inch]	
		147010ES	1.25	0.31	1.06	3.03	0.94	0.79	0.83	0.59	0.59	1.22	4.57	1.22	2.01	1.18	0.39	1.03
147010DS	1	147015ES	1.6	0.39	1.30	3.23	1.02	0.87	0.91	0.71	0.71	1.34	5.51	1.50	2.48	1.54	0.49	2.20
147015DS	1.6	147020ES	2.5	0.49	1.65	3.70	1.06	0.91	1.06	0.91	0.91	1.50	6.42	1.85	3.11	1.89	0.63	3.08
147020DS	2	147030ES	3.2	0.49	1.57	4.17	1.26	1.06	1.22	0.91	0.95	1.65	6.77	1.85	3.11	1.89	0.63	3.65
147030DS	3.2	147045ES	5.4	0.59	1.97	5.20	1.57	1.38	1.46	1.14	1.19	1.97	8.39	2.28	3.78	2.36	0.75	8.03
147050DS	5	147070ES	8	0.69	2.56	6.50	2.01	1.69	1.93	1.46	1.46	2.44	10.47	2.83	4.72	2.76	0.94	12.91
147075DS	7.5	147110ES	11.5	0.87	2.68	7.80	2.28	2.09	2.36	1.69	1.82	2.95	12.20	3.23	5.35	3.23	1.06	21.45
147100DS	10	147150ES	16	1.38	3.39	8.74	2.60	2.28	2.64	2.05	2.25	3.31	13.54	3.78	6.50	4.14	1.38	33.66
		147200ES	22	1.89	4.49	11.13	3.35	3.07	3.15	2.52	2.56	4.33	16.81	4.73	7.88	5.12	0.49	59.40

Grade 40: Design factor 5:1 – Grade 80: Design factor 4:1

# DS/ES | Latch Kits For Sling Hooks



Code	Size				WLL For hook type	
	A [inch]	B [inch]	C [inch]	D [inch]	Carbon steel [ton]	Alloy steel [ton]
2DS0D1	1.56	1.28	0.67	0.16	0.75	1.25
2DS0D2	1.71	1.40	0.91	0.16	1.00	1.60
2DS0D3	1.93	1.61	0.98	0.16	1.60 / 2	2.50 / 3.2
2DS0D4	2.42	2.03	1.14	0.20	3.2	5.4
2DS0D5	3.05	2.66	1.38	0.20	5	8.00
2DS0D6	3.43	2.99	1.46	0.24	7.50	11.50
2DS0D7	3.78	3.37	1.93	0.24	10	16.00
2DS0D8	5.16	4.57	2.13	0.24		22.00
2DS0D9	6.00	5.31	2.52	0.31	--	30.00

