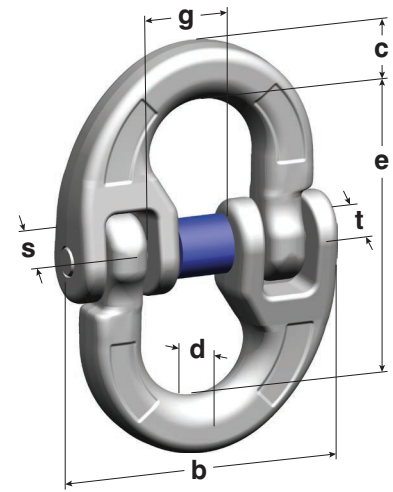


CWI / Connex Connecting Link

This stainless steel connecting link is drop-forged and stamped and consists of two symmetrical halves made from high-grade stainless steel. The connecting link may be divided and used for the universal assembly of chain slings, master links, master link assemblies, shortenings, shackles and other accessories and is guaranteed to be compatible with all pewag winner inox components Chainof the same nominal size.



Code	Size	WLL (90° - 60°) (lb)	e (inch)	c (inch)	s (inch)	t (inch)	d (inch)	b (inch)	g (inch)	Weight (lbs/pc)
CWI 5-6	3/16"	1,400	1.42	0.28	0.39	0.43	0.28	1.34	0.51	0.13
CWI 6-6	7/32"	2,000	1.65	0.31	0.43	0.47	0.28	1.57	0.51	0.18
CWI 7-6	9/32"	2,700	2.13	0.35	0.51	0.55	0.35	2.00	0.67	0.31
CWI 8-6	5/16"	3,500	2.28	0.39	0.51	0.55	0.33	2.00	0.67	0.35
CWI 10-6	3/8"	5,500	2.87	0.51	0.71	0.71	0.51	2.76	0.98	0.81
CWI 13-6	1/2"	9,300	3.62	0.67	0.91	0.98	0.67	3.39	1.14	1.68
CWI 16-6	5/8"	13,900	4.09	0.83	1.26	1.10	0.79	4.13	1.46	3.11

Number close to code reflects the size of chain used in combination with product.

