

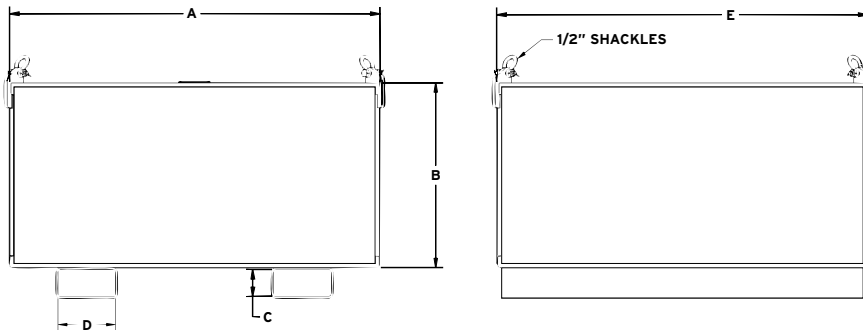
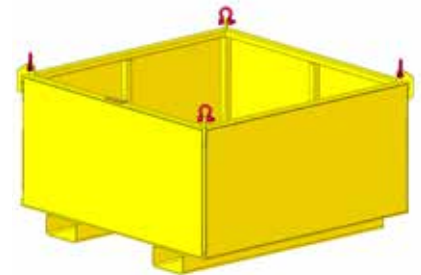
- Manufactured to exceed all ASME B30.20 and OSHA regulations.
- Painted safety yellow for resistance to corrosion.
- **ALL** material baskets shipped with proof load certification paperwork.
- Durable construction ideally suited to jobsite or warehouse use.
- Pick from lifting points with top rigging.
- Made in U.S.A.
- Custom designs available - call for engineering.

NOT FOR PERSONNEL LIFTING.

 Prop 65 – See Page 112

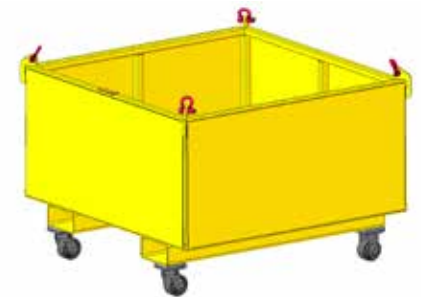
Capacity in Pounds*	Part Number	A	B	Inside Usable	C	D	E	Weight	Includes Shackles
2,500	11827	36	24	33"x33"x22"	4.0	6.0	36	320	1/2"
2,500	11829	48	24	45"x45"x22"	4.0	8.0	48	360	1/2"
2,500	16006	60	24	57"x45"x22"	4.0	8.0	48	450	1/2"

* Call for specifications on larger sizes and capacities



WITH CASTERS

Capacity in Pounds*	Part Number	A	B	Inside Usable	C	D	E	Weight	Includes Shackles
2,500	23954	36	24	33"x33"x22"	4.0	6.0	36	320	1/2"
2,500	23955	48	24	45"x45"x22"	4.0	8.0	48	360	1/2"
2,500	23956	60	24	57"x45"x22"	4.0	8.0	48	450	1/2"



OPTIONAL

Part Number	
24985	4 Leg Top Chain Rigging

MATERIAL BASKETS

Material Basket with Drop Door

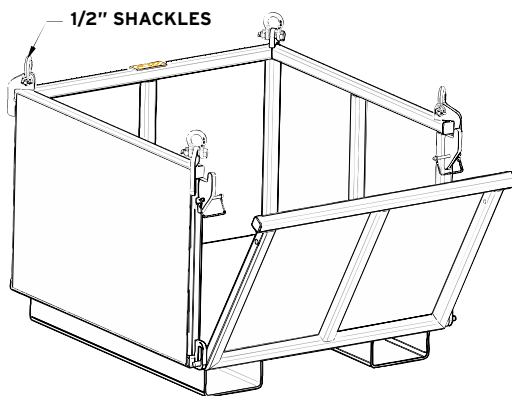
- Manufactured to exceed all ASME B30.20 and OSHA regulations.
- Painted safety yellow for resistance to corrosion.
- **ALL** material baskets shipped with proof load certification paperwork.
- Durable construction ideally suited to jobsite or warehouse use.
- Pick from lifting points with top rigging.
- Made in U.S.A.
- Custom designs available - call for engineering.

NOT FOR PERSONNEL LIFTING.

 Prop 65 – See Page 112

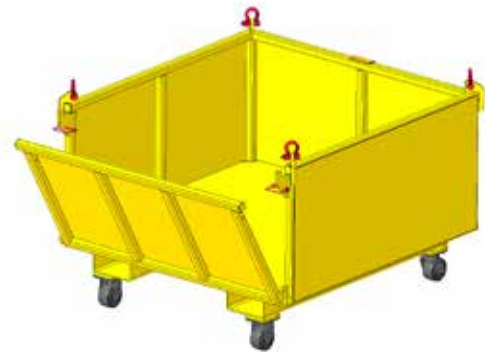
Capacity in Pounds*	Part Number	A	B	Inside Usable	C	D	Weight	Includes Shackles
2,500	12902	48"	28"	45"x45"x22"	3.6"	7.6"	410	1/2"
2,500	17594	36"	28"	33"x33"x22"	3.6"	7.6"	400	1/2"

* Call for specifications on larger sizes and capacities



WITH CASTERS

Capacity in Pounds*	Part Number	A	B	Inside Usable	C	D	Weight	Includes Shackles
2,500	23957	48"	28"	45"x45"x22"	3.6"	7.6"	410	1/2"
2,500	23958	36"	28"	33"x33"x22"	3.6"	7.6"	400	1/2"



OPTIONAL

Part Number	
24985	4 Leg Top Chain Rigging

- Manufactured to exceed all ASME B30.20 and OSHA regulations.
- Painted safety yellow for resistance to corrosion.
- **ALL** material baskets shipped with proof load certification paperwork.
- Durable construction ideally suited to jobsite or warehouse use.
- Made in U.S.A.
- Custom designs available - call for engineering.

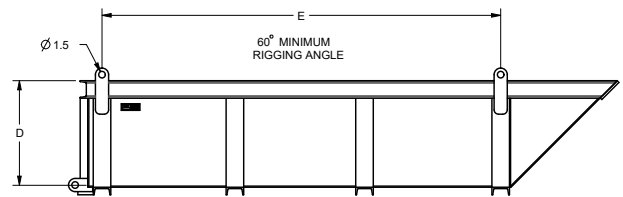
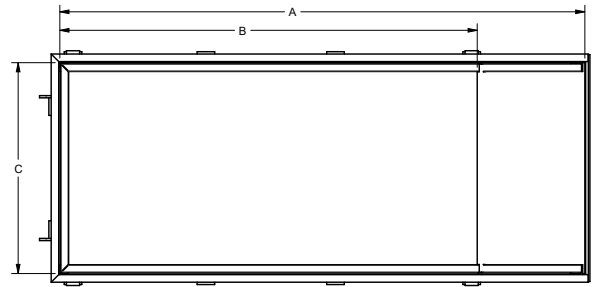
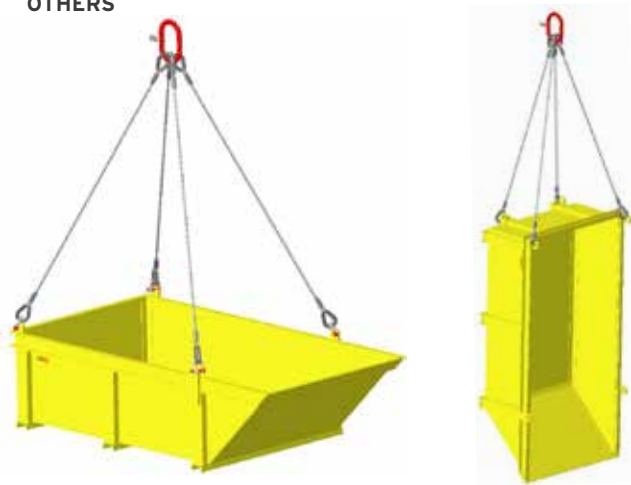
NOT FOR PERSONNEL LIFTING.

- **Not water tight**

Prop 65 – See Page 112



WIRE ROPE BY OTHERS



Capacity in Pounds*	Part Number	A	B	C	D	Weight	E
6,000	23963	96	72	48	24	1,210	67
6,000	23669	120	96	48	24	1,500	91

* Call for specifications on larger sizes and capacities

OPTIONAL WIRE ROPE TOP RIGGING

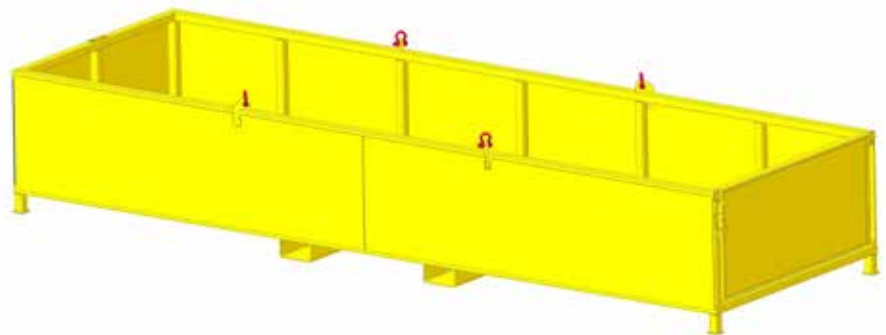
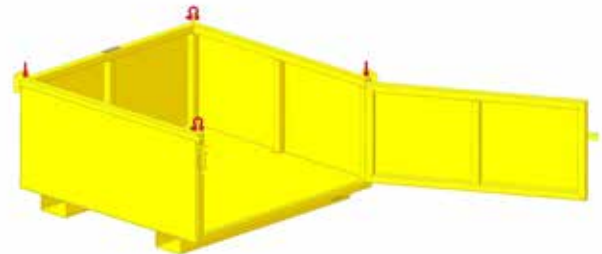
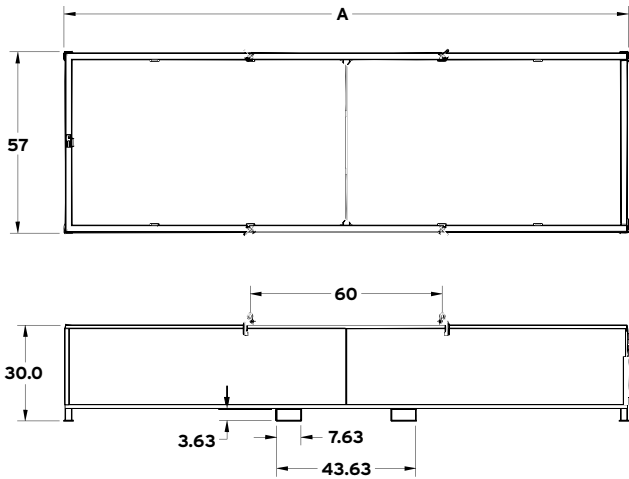
Part Number	
24131	4 Leg Wire Rope Sling

MATERIAL BASKETS

Material Basket with Fixed Sides and Swing Door

- Manufactured to exceed all ASME B30.20 and OSHA regulations.
- Painted safety yellow for resistance to corrosion.
- **ALL** material baskets shipped with proof load certification paperwork.
- Durable construction ideally suited to jobsite or warehouse use.
- Swing door with solid bottom
- Made in U.S.A.
- Custom designs available - call for engineering.
- **NOT FOR PERSONNEL LIFTING.**
- **Not water tight**

 Prop 65 – See Page 112



Capacity in Pounds*	Part Number	A	Inside Usable	Weight
2,500	25459	177"	172"x52"x24"	1,330
2,500	25462	58"	52"x52"x24"	525

OPTIONAL

Part Number	
24985	4 Leg Top Chain Rigging