

Pipe & Manhole Handling



The Caldwell Group • 800-628-4263 • www.caldwellinc.com

Rig-Master® Section
2014-2016 Master Catalog

Model PC - "Tea Cup" Pipe Carrier



PRODUCT FEATURES:

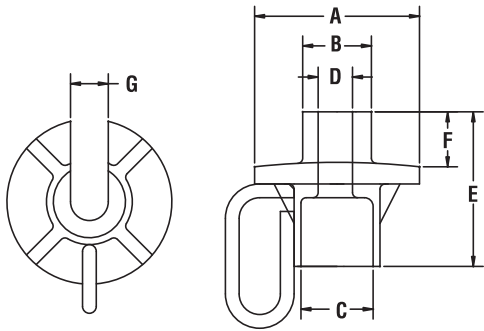
- An efficient way to handle concrete water and sewer pipes.
- The Caldwell "Tea Cup" Pipe Carrier will save you time and money.
- Three sizes available, to handle from 3/4" to 1-1/2" cable, and lift up to 18 tons.
- Optional "Spoon Handle" allows the PC-3/4 "Tea Cup" to be guided into small diameter pipes.
- Complies with ASME standards.

INSTOCK PROGRAM

SPECIFICATIONS

Model Number	Rated Capacity (tons)	Dimensions (inches)							Weight (lbs)
		A	B	C	D	E	F	G	
PC-3/4*	6.6	5.56	2	2.13	1.13	4.75	1.75	1.13	9
PC-1	13	6	2.50	2.63	1.38	5.75	1.75	1.38	12
PC-1 1/2	18	8	3	3.25	1.63	7.63	2.75	1.63	22

* Can use "Spoon Handle" with this model.



WARNING
Use only for vertical lifting

Model PC – Low Profile "Tea Cup" Pipe Carrier

Same quality engineering as the standard model plus:

PRODUCT FEATURES:

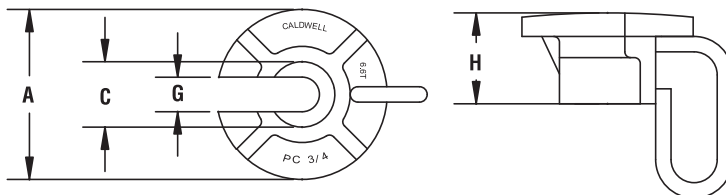
- Only wire rope needs to be inserted through pipe.

SPECIFICATIONS

Model Number	Rated Capacity (tons)	Dimensions (inches)				Weight (lbs.)
		A	C	H	G	
PC-3/4-F*	6.6	5.56	2.13	3.44	1.13	9
PC-1-F	13	6	2.63	4.38	1.38	12
PC-1 1/2-F	18	8	3.25	5.13	1.63	22

INSTOCK PROGRAM

* Can use "Spoon Handle" with this model.



Pipe & Manhole Handling

“Tea Cup” Pipe Carrier Options

INSTOCK PROGRAM

OPTION SH - “Spoon Handle”

Length 61.1" with slight bend for ease of use.



“Spoon Handle” for PC-3/4 only please order SH-3/4. (Includes bolt on lip)



OPTION LS - “Tea Cup” Lifting Sling

SPECIFICATIONS

Use With	Model Number	Rated Capacity (tons)	Sling Dia. (in.)	Standard Length* (ft.)	After Swage (in.)		Wt. (lbs.)
					A	B	
PC-3/4	LS-3/4	4.9	3/4	5	3.25	1.55	9
	LS-7/8	6.6	7/8	5	3.86	1.80	14
PC-1	LS-1	8.5	1	5	4.36	2.05	19
	LS-1 1/8	10	1 1/8	5	4.81	2.30	26
	LS-1 1/4	13	1 1/4	5	5.42	2.56	33
PC-1 1/2	LS-1 1/2	18	1 1/2	5	6.52	3.00	52

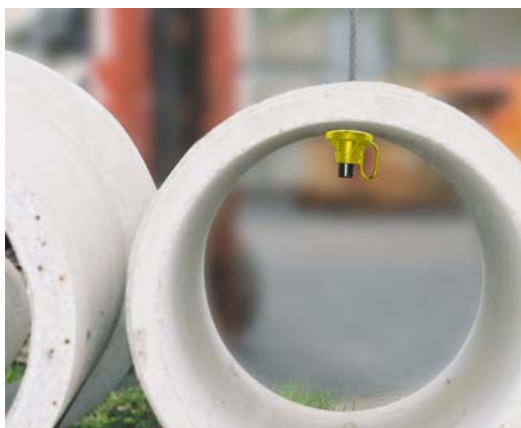
NOTE: INSTOCK on standard 5' length only.

*Other sizes available 3' minimum length.

Operation



Drop pipe carrier lifting sling through hole in pipe. Align and insert “Tea Cup” pipe carrier into lifting sling.



Once set, you are ready to lift the pipe.