

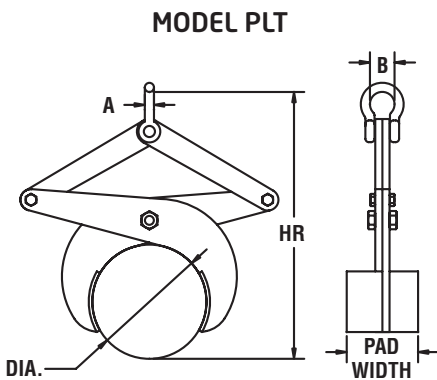
Model PLT

Pipe Tongs

Choose Adjustable or Fixed tongs to match your application.

Product Features:

- Pipe Tongs are sturdily constructed to handle pipe, round bars and cast pipe
- Tongs are provided with steel curved gripping arms
- Optional replaceable polyurethane pads available to protect smooth or polished surfaces
- Load must be balanced and controlled when lifting
- Use in pairs with a lifting/spreader beam for added stability
- Complies with ASME standards



Fixed Diameter

Model Number	Rated Capacity (lbs.)	Dia. (in.)	HR Headroom (in.)	A (in.)	B (in.)	Weight (lbs.)
108-1/2-5	1000	5	15.50	0.5	1.31	17
108-1-8	2000	8	23.50	0.5	1.31	25

In Stock - Items with green model numbers ship in 48 hours, excluding weekends and holidays.

Adjustable Diameter

Model Number	Rated Capacity (lbs.)	Bare Steel Range Min.-Max. (in.)	Urethane Pad Range Min.-Max. (in.)	HR Headroom Min.-Max. (in.)	Pad Width (in.)	A (in.)	B (in.)	Wt. (lbs.)
108-1/2-2/4	1000	2 - 4	1.25 - 3.25	11.21 - 15.15	2.5	0.5	1.31	8
108-1-4/8	2000	4 - 8	3.25 - 7.25	19.18 - 26.49	5	0.5	1.31	29
108-1-7/12	2000	7 - 12	6.25 - 11.25	25.95 - 35.81	6	0.5	1.31	49
108-1-10/15	2000	10 - 15	9.25 - 14.25	30.03 - 38.67	6	0.5	1.31	77
108-1-15/20	2000	15 - 20	14.25 - 19.25	59.53 - 64.72	8	.97	2.28	225

In Stock - Items with green model numbers ship in 48 hours, excluding weekends and holidays.

PRODUCT OPERATION

