

Models 20

Low-Headroom Multiple-Spread Lifting Beams



Versatility is the name of the game with the Model 20. Used across the country in manufacturing and industrial applications, it's a favorite on construction sites, too.

With a few dozen standard spreads, lengths and capacities, you're likely to find an economical solution that fits your use. But if you need a multiple-spread or heavy-duty option, see pages 18-20.

And, if none of those work for your specific lift, let us know. We can customize one just for you. Try the SmartSpec configuration tool to get a Model 20 quote and drawings online at caldwellinc.com/smartspec

Product Features:

- Beams over 6' and longer have three spreads
- 3' & 4' beams have two spreads
- Swivel hooks with hook latches standard
- Wide range of sizes and capacities available
- Complies with ASME standards

Standard Feature:

- Three spreads to adjust to the load
 - Outside spread
 - Middle spread (outside less 1')
 - Inside spread (outside less 2')

Product Option:

- Recommend faspins (Option B) if frequent hook position changes (spread) are required

 **Customize your Model 20 with SmartSpec.**
Go to: caldwellinc.com/smartspec

Capacity (tons)	Model Number HR Headroom (in.) Weight (lbs.)	Outside Spread (ft.)		
		3	4	6
1/2	Model Number HR Headroom Weight 20-1/2-3 12-3/4 40	20-1/2-3 12-3/4 40	20-1/2-4 12-3/4 50	20-1/2-6 12-3/4 65
1	Model Number HR Headroom Weight 20-1-3 12-3/4 40	20-1-3 12-3/4 40	20-1-4 12-3/4 50	20-1-6 13-3/4 85
2	Model Number HR Headroom Weight 20-2-3 13-3/4 50	20-2-3 13-3/4 50	20-2-4 12-3/4 65	20-2-6 14-3/4 100
3	Model Number HR Headroom Weight 20-3-3 15-1/4 70	20-3-3 15-1/4 70	20-3-4 15-1/4 80	20-3-6 16-1/4 140
5	Model Number HR Headroom Weight 20-5-3 19-1/2 115	20-5-3 19-1/2 115	20-5-4 20-1/2 145	20-5-6 21-1/2 205
7-1/2	Model Number HR Headroom Weight 20-7 1/2-3 22-1/2 135	20-7 1/2-3 22-1/2 135	20-7 1/2-4 23-1/2 170	20-7 1/2-6 25-1/4 265
10	Model Number HR Headroom Weight 20-10-3 23-1/4 150	20-10-3 23-1/4 150	20-10-4 25-1/4 205	20-10-6 27-1/4 335
15	Model Number HR Headroom Weight 20-15-3 28-1/2 215	20-15-3 28-1/2 215	20-15-4 30-1/2 295	20-15-6 30-1/2 375
20	Model Number HR Headroom Weight 20-20-3 38-3/4 370	20-20-3 38-3/4 370	20-20-4 38-3/4 435	20-20-6 38-3/4 575
25	Model Number HR Headroom Weight 20-25-4 41-3/8 470	-	20-25-4 41-3/8 470	20-25-6 41-3/8 590
30	Model Number HR Headroom Weight 20-30-4 45-1/2 525	-	20-30-4 45-1/2 525	20-30-6 45-1/2 660
40	Model Number HR Headroom Weight 20-40-4 44-3/4 600	-	20-40-4 44-3/4 600	20-40-6 47-3/4 930

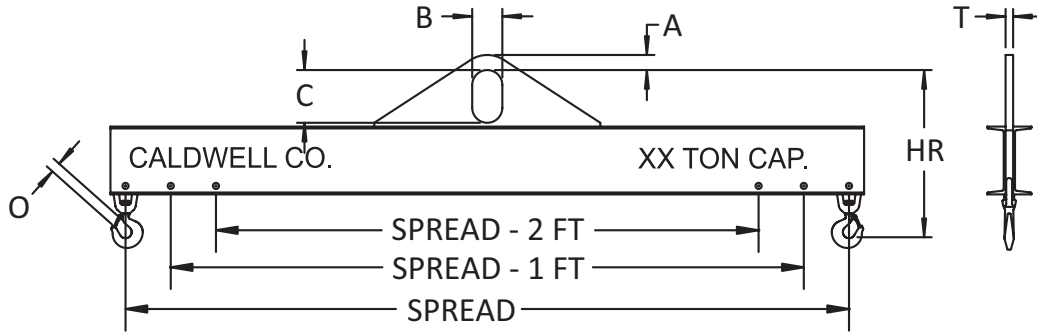
Other sizes available, consult factory.

IN STOCK Items with orange model numbers ship in 48 hours, excluding weekends and holidays.

Show Us Your Model 20

Send us a photo of your Model 20 Low-Headroom Beam in use and we'll send you a Caldwell can cooler. Email images to: marketing@caldwellinc.com

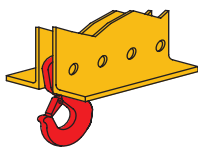




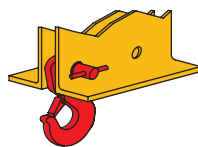
	Outside Spread (ft.)									Other Dimensions (in.)	
	8	10	12	14	16	18	20	24	30		
20-1/2-8 12-3/4 95	20-1/2-10 13-3/4 140	20-1/2-12 13-3/4 160	20-1/2-14 14-3/4 230	20-1/2-16 15-3/4 305	20-1/2-18 16-3/4 400	20-1/2-20 16-3/4 450	20-1/2-24 20-1/4 830	20-1/2-30 22-1/4 1340		A=7/8 B=3 C=5	T=3/4 O=7/8
20-1-8 13-3/4 115	20-1-10 14-3/4 165	20-1-12 15-3/4 230	20-1-14 16-3/4 320	20-1-16 18-1/2 415	20-1-18 20-1/4 605	20-1-20 20-1/4 675	20-1-24 22-1/4 1095			A=7/8 B=3 C=5	T=3/4 O=7/8
20-2-8 16-1/2 165	20-2-10 17-1/2 230	20-2-12 18-1/4 315	20-2-14 20-1/4 480	20-2-16 20-1/4 540	20-2-18 24-3/4 800	20-2-20 24-3/4 900	20-2-24 27-3/4 1730			A=7/8 B=3 C=5	T=3/4 O=7/8
20-3-8 17-1/4 200	20-3-10 18-1/4 275	20-3-12 22-1/2 415	20-3-14 24-1/2 650	20-3-16 24-1/2 730	20-3-18 27-1/2 1295	20-3-20 27-1/2 1450	20-3-24 27-1/2 1765			A=1-1/4 B=3 C=5	T=1 O=1
20-5-8 25-1/2 325	20-5-10 25-1/2 390	20-5-12 27-1/2 580	20-5-14 27-1/2 690	20-5-16 30-1/4 1210	20-5-18 30-1/4 1340	20-5-20 30-1/4 1505	20-5-24 33-1/4 2275			A=2 B=4 C=7	T=1-1/4 O=1-15/16
20-7 1/2-8 27-1/4 415	20-7 1/2-10 27-1/4 500	20-7 1/2-12 30-1/4 910	20-7 1/2-14 30-1/4 1070	20-7 1/2-16 30-1/4 1600	20-7 1/2-18 33 1665					A=2 B=4 C=7	T=1-1/4 O=1-1/2
20-10-8 27-1/4 420	20-10-10 30-1/4 775	20-10-12 30-1/4 910	20-10-14 30-1/4 1075	20-10-16 33 1500	20-10-18 33 1670					A=2 B=4 C=7	T=1-1/4 O=1-9/16
20-15-8 33-1/2 685	20-15-10 33-1/2 820	20-15-12 40-1/4 1180	20-15-14 40-1/4 1385							A=2-1/2 B=5 C=9	T=1-1/2 O=2-2/16
20-20-8 38-3/4 710	20-20-10 41-1/2 1070	20-20-12 41-1/2 1235								A=2-1/2 B=5 C=9	T=1-1/2 O=2-1/4
20-25-8 44-3/8 925	20-25-10 44-3/8 1100	20-25-12 44-3/8 1650								A=3 B=6 C=12	T=1-3/4 O=2-1/4
20-30-8 48-1/4 1010										A=3-1/2 B=7 C=16	T=2 O=2-1/4
										A=3-1/2 B=7 C=16	T=2-1/2 O=3

**See pages 18 and 19
for these capacities and sizes.**

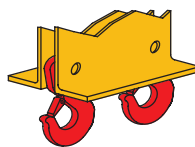
MODEL 20 PRODUCT OPTIONS



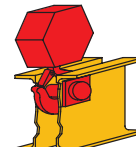
OPTION A
Extra Holes or Different Placement of Holes
Allows multiple hook positioning beyond standard spreads. Specify number and spread(s) required.



OPTION B
Faspins
For ease of positioning hooks with quick release. Specify number required. Recommend faspins if frequent hook position changes (spread) are required.



OPTION C
Extra Hooks
Allows for multiple pick points. Specify number required.



OPTION D
Pin-Type Bail
Lifting pin located between structural channel. (Hoist hook information must be supplied.)



OPTION E
Shackle Lug
Lifting lug with shackle. (Headroom may change.)